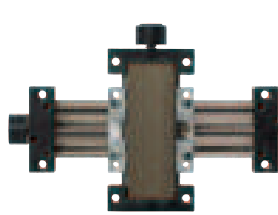
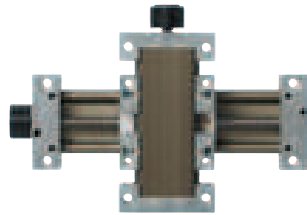


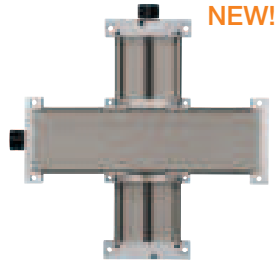
SLW – compact XY-table



SLW-XY-0630



SLW-XY-1040



SLW-XY-1080



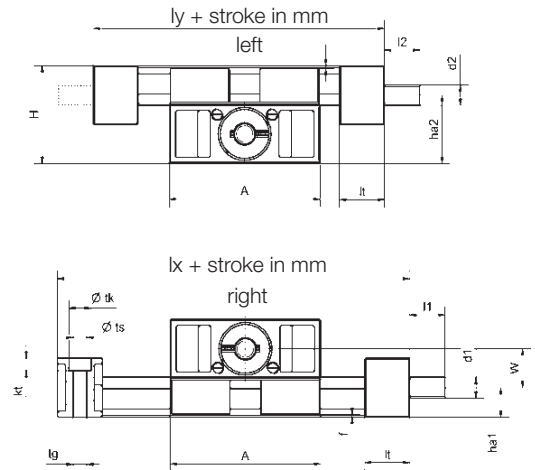
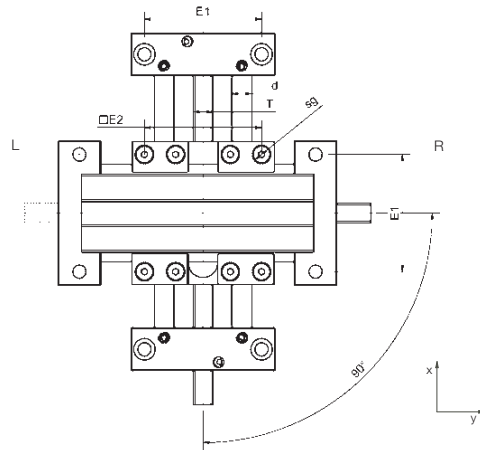
Order key
complete ▶ page 897

SLW-XY-1040-PL



Preload (optional with
size 1040 and 1080)
Dimension
XY-table
Compact

- Low-cost solution for manual adjustments
- lubrication-free and corrosion-resistant
- Max. stroke length at XY-tables 300 mm
- preload version SLWE-XY-PL also available (optional, sizes: 1040/1080)
- Available accessories ▶ page 922



Dimensions [mm]

Part number	A	H	E1	E2	Base length	Base length	f	lt	tk	ts	tg	kt
	-0.3		±0.15	±0.15	lx	ly			±0.1			
SLW-XY-0630	54	37.4	40	45	94	94	1.2	20	11	8	M8	8
SLW-XY-1040	74	48	60	60	118	118	1.5	22	11	6.6	M8	6.4
SLW-XY-1080	108	48	94	94	152	152	1.5	22	11	6.6	M8	6.4

Dimensions [mm]

Part number	sg	d	T	l1	d1		l2	d2		ha1	ha2	W
					Standard	Alternativ		Standard	Alternativ			
SLW-XY-0630	M4	5	M8	15	M8	-	15	M8	-	9.5	27.9	18.4
SLW-XY-1040	M6	10	TR 10 x 2	17	TR 10 x 2	6 h9	17	TR 10 x 2	6 h9	18	38	20
SLW-XY-1080	M6	10	TR 10 x 2	17	TR 10 x 2	6 h9	17	TR 10 x 2	6 h9	14.5	33.5	19

The hand wheel on the y-axis can be ordered fitted to the left or the right side.

Left: SLW-XY-0630-AWM-L-200-300 for 200 mm stroke length on the x-axis and 300 mm on the y-axis

Right: SLW-XY-0630-AWM-R-200-300 for 200 mm stroke length on the x-axis and 300 mm on the y-axis

