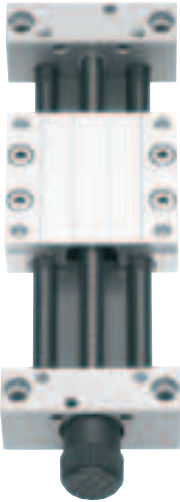


DryLin® SHT | Product Range | Trapezoidal Leadscrew

SLWE-BB – With ball bearing leadscrew supports



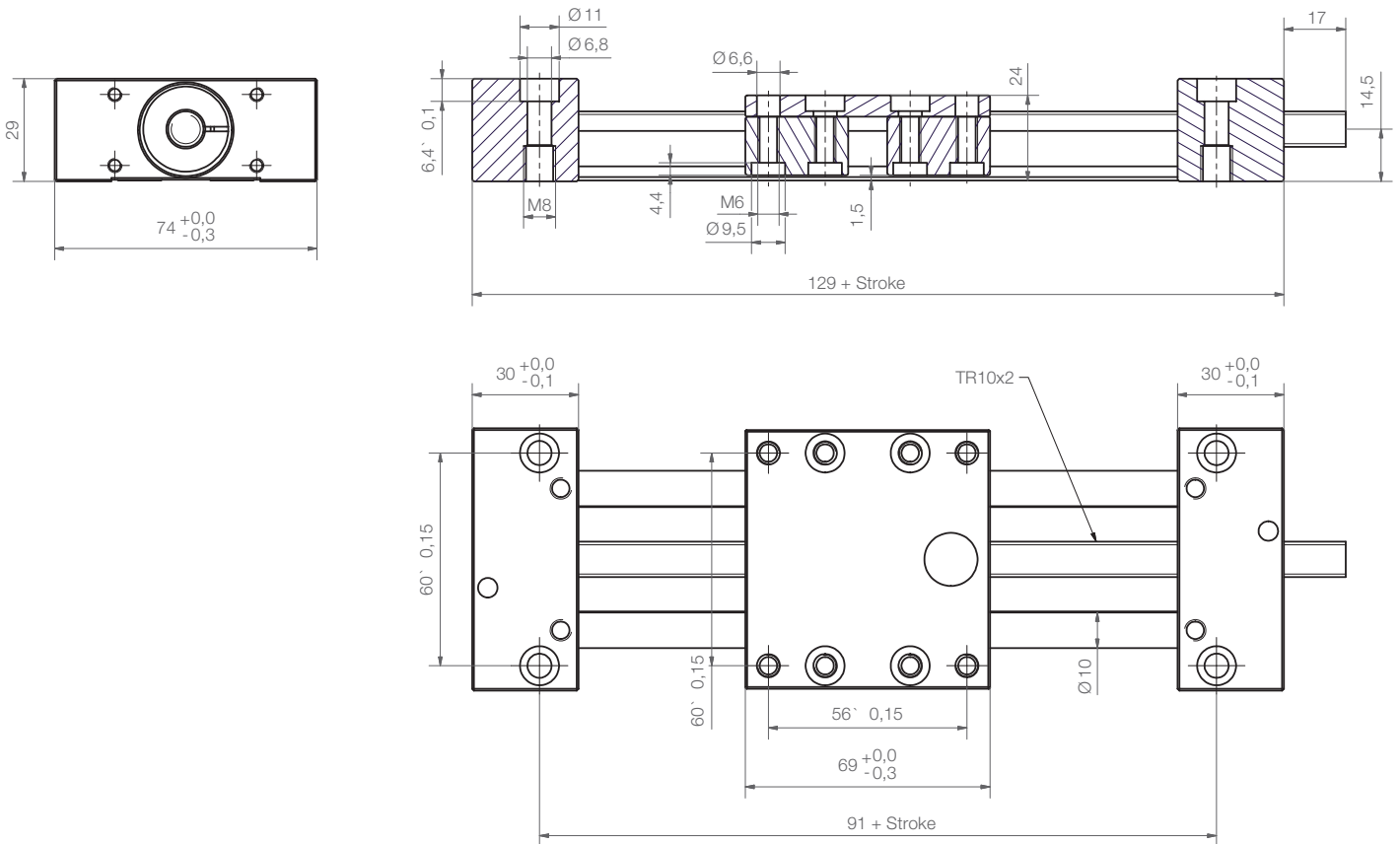
DryLin® linear table with ball bearing leadscrew supports. Linear guide and leadscrew absolutely lubrication-free. Compact and low profile linear actuator for manual or motor drive, also suitable for continuous operation and higher dynamics.

- Lower drive force
- Optimized clearance
- Up to 1,500 rpm (depending on length and load)
- Quiet operation – reduced vibration of the overall system
- Available accessories ► [page 922](#)



Order key complete ► [page 897](#)

SLWE-BB-1040



delivery 2–3 days
time



prices price list online
www.igus.eu/eu/DryLinSHT



order part number
example SLWE-BB-1040