

drylin® general drive technology: SET easytube



Absolute freedom from lubricants

Corrosion-resistance

Low weight through aluminum and stainless steel

Temperature resistance up to +50 °C

Extensive accessories

simple, smooth design

drylin® SET | Easytube

The new linear unit for easy adjustment functions is characterized by a simple but effective and solid structure. A complete system is built up from few components. The outer anodized aluminum tube guides the carriage/s and at the same time protects the trapezoidal lead screw and lead screw nut from external influences. Carriage, torque support and trapezoidal lead screw nut in one component and are made of a special plain bearing high-performance polymer. This guarantees freedom from lubrication with simultaneously low coefficient of friction and optimal wear rates. The iglidur® bearing materials are also used in the axial bearings of the lead screw.

Shaft blocks made from robust plastic,
optionally available as a flanged version

Trapezoidal threaded lead screw (inside) made
of steel or stainless steel

Guide tube made of anodized aluminum

Carriages, trapezoidal lead screw nuts and torque
supports from lubricant-free plain bearing polymers

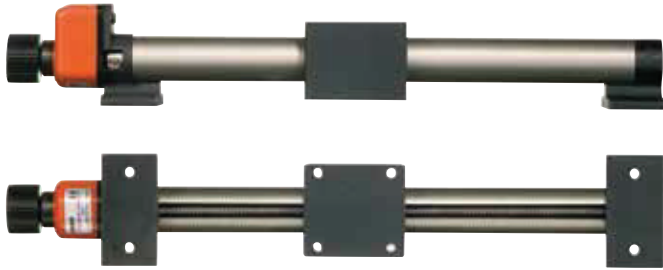
Stainless steel clamping rings, journal and axial
bearings made from plain bearing polymers

Large range of accessories available ► **page 1065**



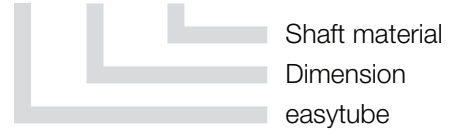
drylin® SET | Delivery Program

easytube



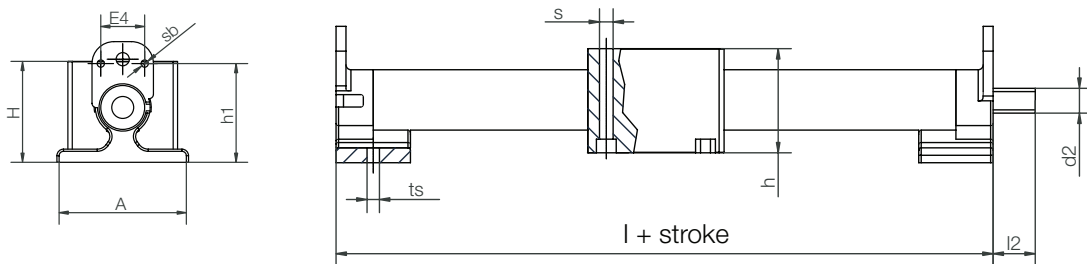
Order key

SET-25-AWM



drylin® SET easytube for light duty motion control with interior lead screw.

- Totally lubrication-free
- Corrosion-free version with stainless lead screw
- Low weight due to aluminum and plastic
- Temperature resistance up to +60 °C
- Extensive accessories ► **page 1065**



Technical Data

Part number	Max. length of stroke	Aluminum shaft		Max. static loadbearing capacity	
		Weight shaft end supports and carriage [kg]	Additional (per 100 mm) [kg]	axial [N]	radial [N]
SET-12-AWM	200	0.05	0.03	10	20
SET-25-AWM	750	0.15	0.12	150	300
SET-30-AWM	850	0.20	0.21	200	400

Dimensions [mm]

Part number	A	Al	H	E1	E2	E3	E4	l	h	h1	lt	ts	s	sb	l2	d2
SET-12-AWM	30	30	23.5	20	20	20	—	60	22	—	15	3.3	4.2	—	10	M4*
SET-25-AWM	60	55	44	40	40	40	20	115	39	45	30	5.2	5.2	M4	17	TR10x2*
SET-30-AWM	80	55	49	60	40	40	20	125	39	50	35	6.5	5.2	M4	20	TR12x3*

* lead screw end unmachined

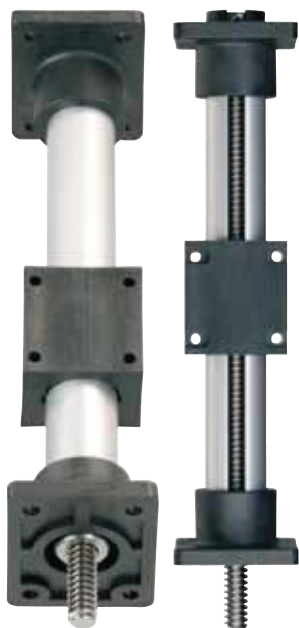


delivery time 2–3 days



prices price list online
www.igus.eu/eu/drylinSET

easytube with Flange



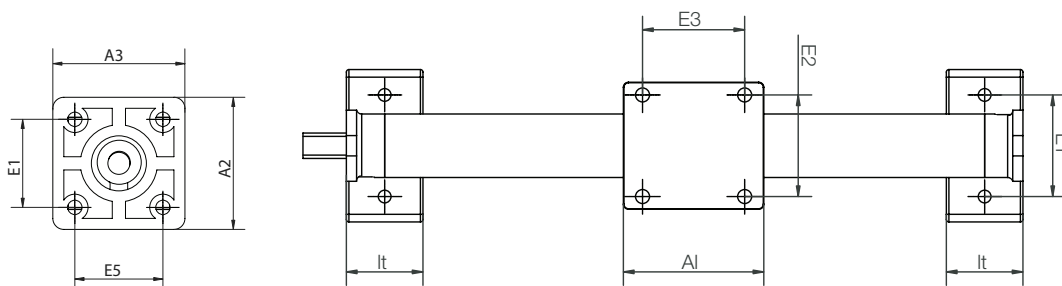
drylin® SET easytube as flanged version for axial mounting

- Lubricant-free
 - Simple, smooth design according to specifications of our customers
 - Available accessories
- page 1065



Order key

SET-25-AWM-F



Technical Data

Part number	Max. length of stroke	Aluminum shaft		Max. static loadbearing capacity	
		Weight shaft end supports and carriage [kg]	Additional (per 100 mm) [kg]	axial [N]	radial [N]
SET-25-AWM-F	750	0.15	0.12	150	300
SET-30-AWM-F	850	0.20	0.21	200	400

Dimensions [mm] – Flange version

Part number	A2	A3	H	E1	E2	E3	E5	l	h	lt	ts	s	l2	d2
SET-25-AWM-F	60	60	49	40	40	40	40	117	39	30	5.2	5.2	27	TR10x2*
SET-30-AWM-F	80	60	59	60	40	40	40	125	39	35	6.5	5.2	30	TR12x3*

* lead screw end unmachined

delivery time 2-3 days

prices price list online
www.igus.eu/eu/drylinSET

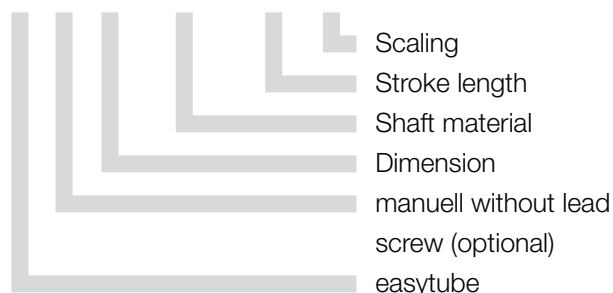
drylin® SHT | Delivery program

easytube with scaling



Order key

SETM-25-AWM-200-SC



drylin® SET easytube with lasered, wash-proof scale

- Totally lubrication-free
- Corrosion-resistant
- Continuously clamped
- Available with/without scaling
- Three stroke lengths available from stock:
200, 400 and 600 mm

Technical Data

F radial	N	300
Max. extension at maximum load	mm	66
Max. extension at nominal load 100 N	mm	200
Max. shifting force without load	N	10
Max. holding strength	N	100
Max. stroke length	mm	600

Part number with scaling without lead screw	Part number with scaling and trapezoidal lead screw 10 x 2	Stroke length
		[mm]
SETM-25-AWM-200-SC	SET-25-AWM-200-SC	200
SETM-25-AWM-400-SC	SET-25-AWM-400-SC	400
SETM-25-AWM-600- SC	SET-25-AWM-600-SC	600

Dimensions see ► page 1059



delivery 2-3 days
time



prices price list online
www.igus.eu/eu/drylinSHT

easytube inserted on one side



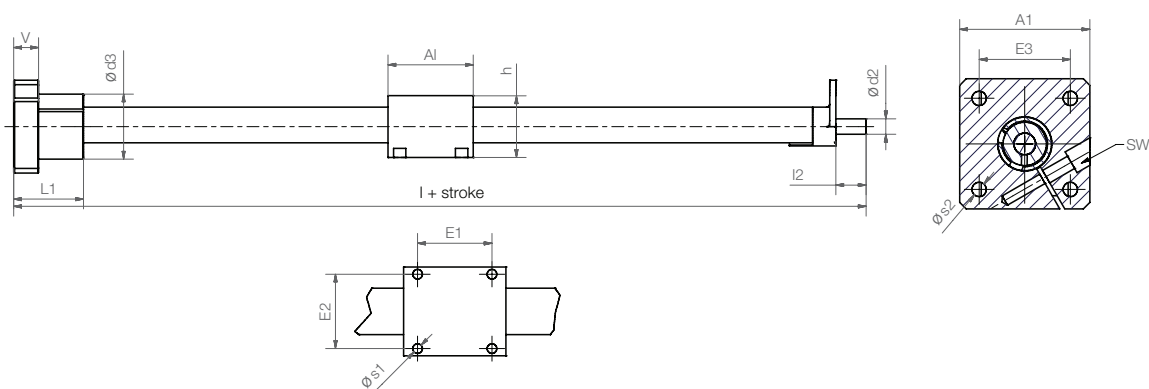
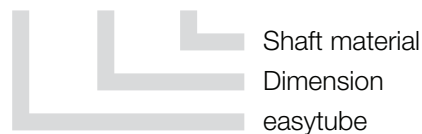
The new carrier flange enables the horizontal and vertical installation of the easytube on one side. Ideal for the positioning of sensors and cameras in format adjustments.

- Easy to handle
- Flexible installation
- Space saving
- Lubrication-free inside lead screw



Order key

SETB-25-AWM



Technical Data

Part number	Max. length of stroke [mm]	Max. static loadbearing capacity	
		axial [N]	radial at arm [N]
SETB-25-AWM	300	150	12.5

Dimensions [mm]

Part number	A1	AI	h	E1	E2	E3	V	L1	I2	d2	d3	l	s1	s2	SW
SETB-25-AWM	60	55	39	40	40	42	16	45	17	TR10x2*	42	147 max.	5.2	6.6	5

* lead screw end unmachined

More dimensions on request



weight-optimized carriage option



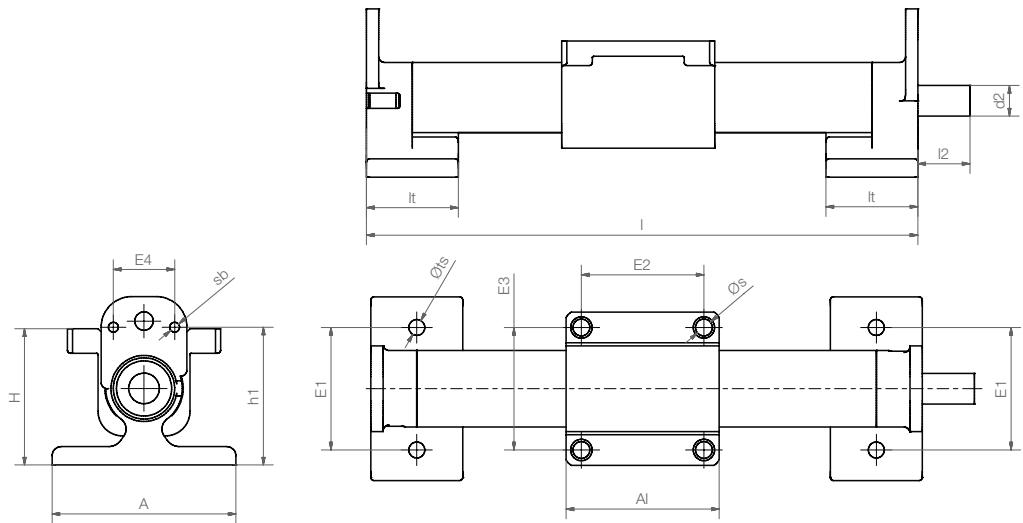
The weight-optimized carriage option of the SET-25 for all cost-sensitive adjustment movements.

- Reduce weight and costs
- Simplified self assembly
- Light, clean and low noise



Order key

SETC-25-AWM



Technical Data

Part number	Weight [kg]	Max. length of stroke [mm]	Max. static loadbearing capacity	
			axial [N]	radial [N]
SETC-25-AWM	0.15	750	150	300

Dimensions [mm]

Part number	A	Al	H	E1	E2	E3	E4	I	h1	lt	ts	s	sb	l2	d2
SETC-25-AWM	60	55	44	40	40	40	20	115	45	30	5.2	5.2	M4	17	TR10x2*

* lead screw end unmachined

More dimensions on request



delivery time 2-3 days



prices price list online
www.igus.eu/eu/drylinSET