

drylin® Telescopic Rails | Product Range

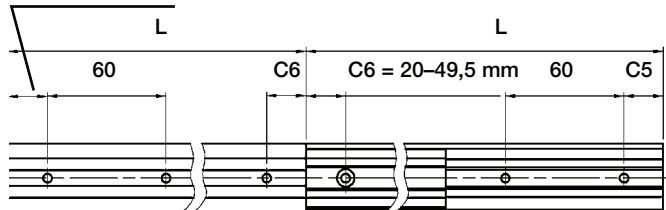
NT-35-“L” Total extension



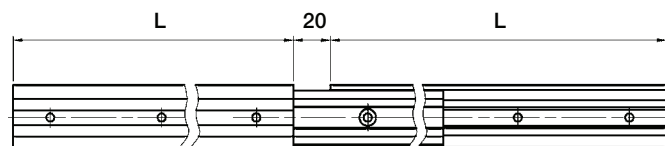
- Solid polymer guide/aluminum guide
- Low weight
- Cost-effective
- Corrosion-resistant
- Continuous lengths up to 1,200 mm (total extension)

NT-35-“L” Total extension

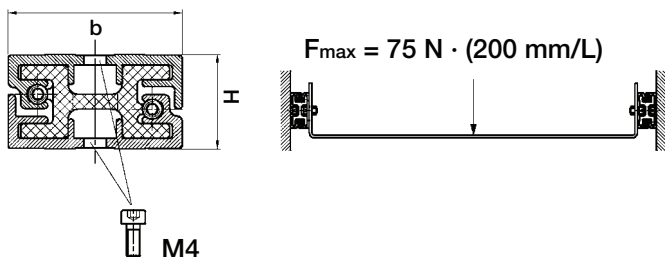
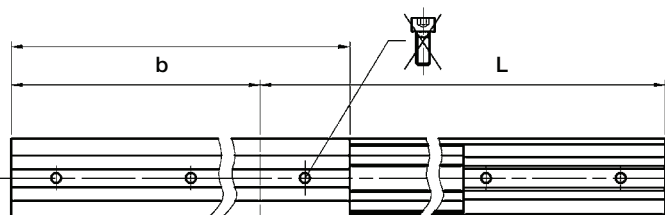
C5 = 20–49.5 mm



NT-35-“L”-“L+20” Over-extension



NT-35-“L”-“B” Partial extension



Dimensions [mm]

Part number	b	H	L min.	L max.
NT-35-... mm	35	19	100	600



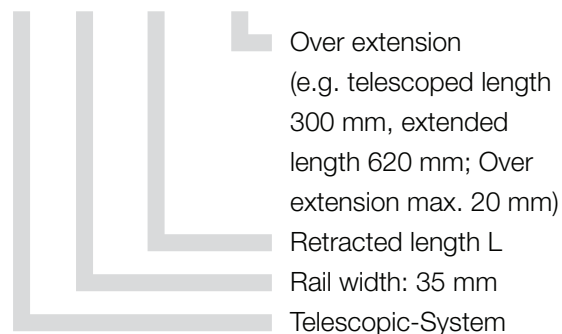
Order key

NT-35-300



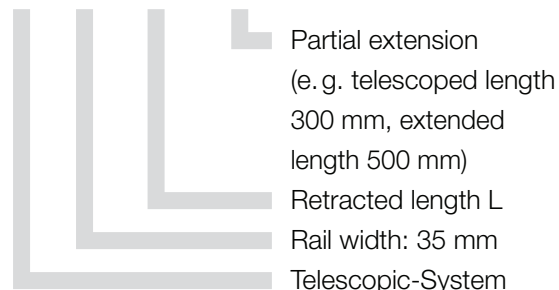
Order key

NT-35-300-320



Order key

NT-35-300-200



Recommendation:

F_{max} calculated using this formula allows an easy manual use. The unit can take higher forces than this, but the required driving force will be correspondingly higher.

With locking mechanism



Order key

NT-LM-35-300

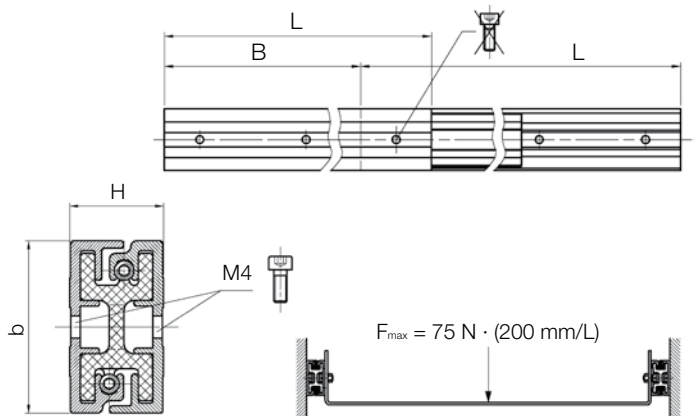
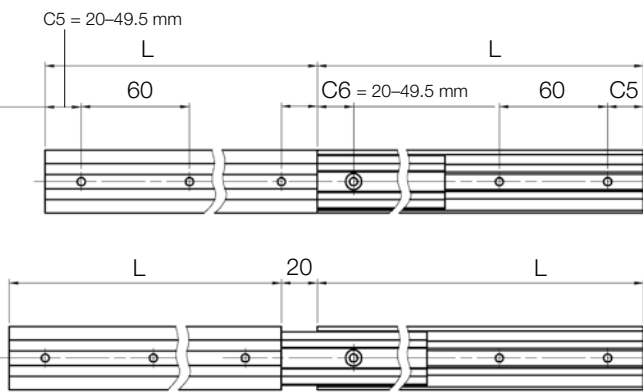


The proven drylin® N telescopic system is now available with a locking mechanism.

There are two different versions:

- a) Detent in end and centre positions
- b) Precision detent with variable pitch (minimum pitch 10 mm)

- Solid polymer/aluminum guide
- Low weight, quiet running
- Cost-effective
- Corrosion-resistant, 100 % lubrication-free
- Continuous lengths up to 1,200 mm (extended total length)



drylin® NT LM in adjustment of Perspex guard



drylin® NT LM in guard door adjustment in machine tool

drylin® Detent in end and centre position at full extension – Dimensions [mm]

Part number	b	H	Lmin	Lmax
NT-LM-35-...mm	35	19	140	600

individual precision detent on request; The length divided by the locking distance must yield an even number.
e.g. Lengths 250 mm, latching all 62,5mm = $250 / 62,5 = 4$

delivery time 3–8 days

prices price list online
www.igus.eu/drylinSpecialists