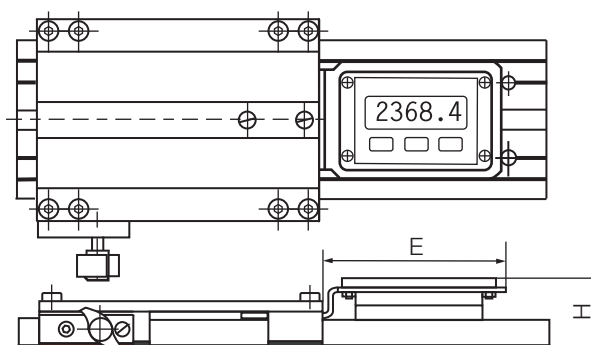


DryLin® Measuring Systems | Product Range

The DryLin® WKM measuring systems are battery powered. The integrated battery guarantees two year operating time. This means a virtually absolute distance measurement is possible. Magnetic tapes fitted as standard. The position value is displayed on a 5-digit LC display.

- Measuring principle: magnetic with magnetic tape (10 · 1.4 mm)
- Resolution: 0.1 mm
- Accuracy: $\pm(0.1 + 0.01 \cdot \text{measured length [m]})$ mm
- Service life: over 5 years at 100% switch-on time
- Application temperature: +0 to +60 °C
- Display: LCD
- Repeat accuracy: ± 1 Digit
- Absolute and incremental measuring method
- Flexible and mobile use
- Variable zero point
- Carriage can be clamped
- Display optionally right (R) or left (L) of guide carriage
- Max. rail length 4,000 mm (Effective measurement max. 3,757 mm)

Type series WKM-10 and -20



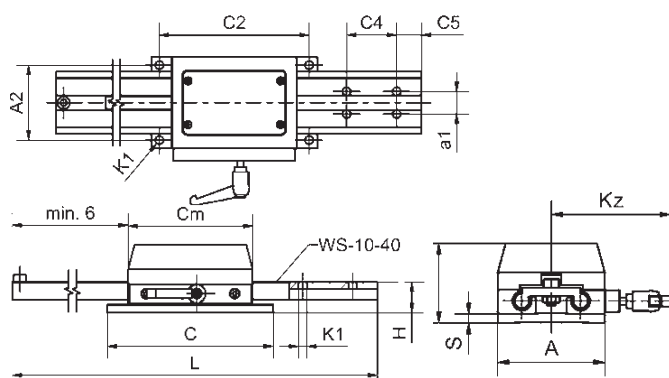
For the series 10 and 20 the rails are fixed and the measuring carriage moves.

Dimensions [mm]

Part number	DryLin® linear guide	H	E
WKM-10-80-15-01-L	WK-10-80-15-01*	36	93
WKM-10-80-15-01-R	WK-10-80-15-01*	36	93
WKM-20-80-15-01-L	WK-20-80-15-01*	40	93
WKM-20-80-15-01-R	WK-20-80-15-01*	40	93

* Dimensions rail/slide ► DryLin® W chapter, page 763

Type series WKM-11



For the series 11, the carriage is fixed with 4 screws. The rail moves, the end of the rail is the fixing point.

Dimensions [mm]

Part number	L	C4	C5	a1	C2	A2	K1	C	A	H	S	Cm	Hm	kz
WKM-11-40	2,000 max.	40	20	18	120	80	8.6	133	73	24	8	100	54	82