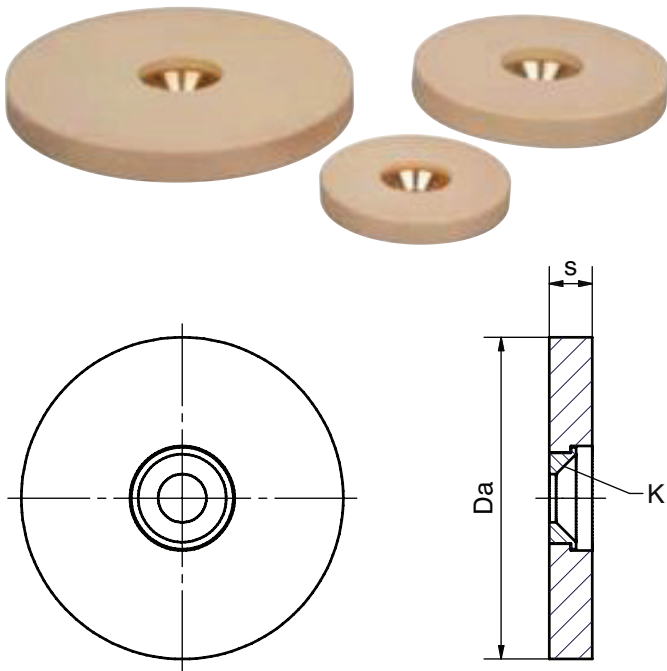
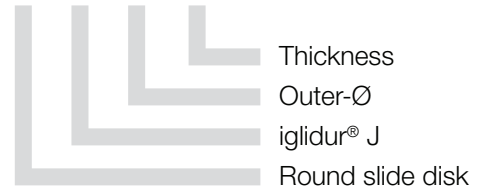


drylin® round slide disk



Order key

RSDJ-40-06



Material:
igidur® J ► page 93

The drylin® slide disks from stock (RSD = Round Slide Disk) made of high performance material iglidur® J have many different applications. Without additional lubricant, heavy loads can be moved over a variety of surfaces (steel, aluminum, stainless steel, etc.) with very low friction. The plates are fixed securely with a screw through the reinforced hole in the centre.

Dimensions [mm]

Part number	Outer-Ø Da	Wear limit	Width s	For countersunk screw K	Max. static load capacity [N]
RSDJ-40-06	40	1.5	6 ± 0.05	M6	28,500
RSDJ-60-08	60	2.5	8 ± 0.05	M8	66,000
RSDJ-80-08	80	2.5	8 ± 0.05	M8	120,000



Please use our different bar stock dimensions for your individual design ► page 609



delivery from stock
time



prices price list online
www.igus.eu/drylinSpecialists