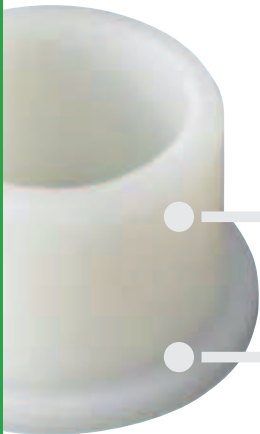


iglidur® A200

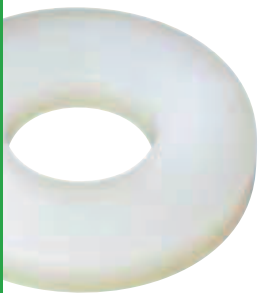
FDA-compliant and vibration-dampening, absorbs moisture. FDA compliant material for applications with low to medium loads in immediate environs of (or contact) with food or drugs.



iglidur® A200 material complies with FOOD AND DRUG ADMINISTRATION (FDA) regulations

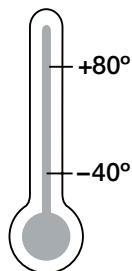


For direct contact with food or pharmaceuticals



For low speeds

Temperature



When to use it?

- Suitable for direct contact with food
- When quiet operation is important
- When dirt needs to become embedded
- If FDA compliance is necessary



When not to use it?

- When the maximum abrasion resistance is necessary
 - ▶ **iglidur® W300, page 131**
- When temperatures are continuously higher than +80 °C
 - ▶ **iglidur® A290, page 417**
 - ▶ **iglidur® A500, page 407**
- When a cost-effective universal bearing is required
 - ▶ **iglidur® G, page 61**
- For operations in wet environments
 - ▶ **iglidur® A180, page 371**

Product range

3 types
Ø 1–32 mm
more dimensions
on request

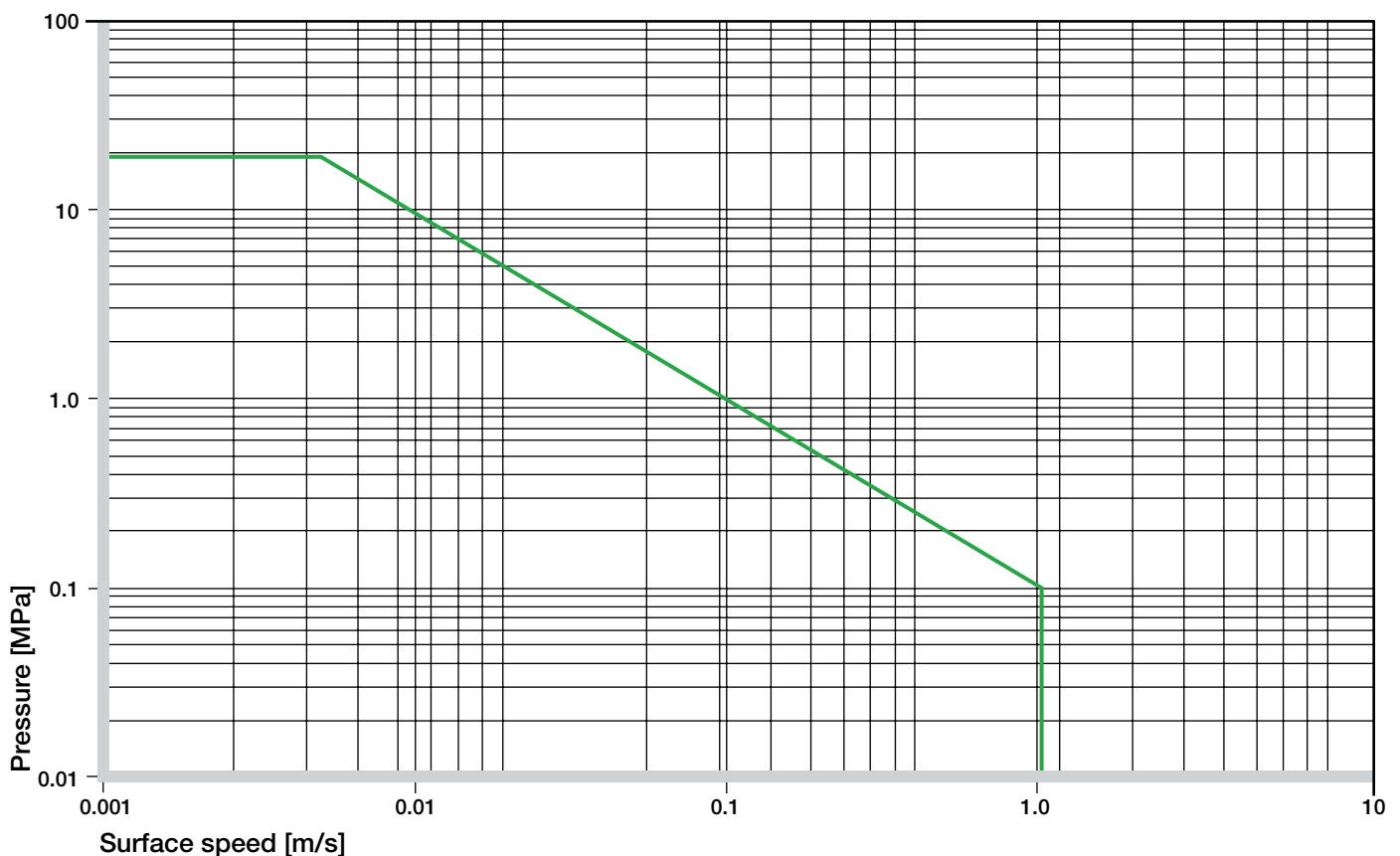


Products of iglidur® A200 comply with the requirements of the FDA for repeated contact with food



Material data			
General properties	Unit	iglidur® A200	Testing method
Density	g/cm ³	1.14	
Colour		white	
Max. moisture absorption at +23 °C/50 % r.h.	% weight	1.5	DIN 53495
Max. moisture absorption	% weight	7.6	
Coefficient of sliding friction, dynamic against steel	μ	0.10–0.40	
pv value, max. (dry)	MPa · m/s	0.09	
Mechanical properties			
Modulus of elasticity	MPa	2,500	DIN 53457
Tensile strength at +20 °C	MPa	116	DIN 53452
Compressive strength	MPa	54	
Max. recommended surface pressure (+20 °C)	MPa	18	
Shore D hardness		81	DIN 53505
Physical and thermal properties			
Max. long term application temperature	°C	+80	
Max. short term application temperature	°C	+170	
Min. application temperature	°C	-40	
Thermal conductivity	W/m · K	0,24	ASTM C 177
Coefficient of thermal expansion (at +23 °C)	K ⁻¹ · 10 ⁻⁵	10	DIN 53752
Electrical properties			
Specific volume resistance	Ωcm	> 10 ¹³	DIN IEC 93
Surface resistance	Ω	> 10 ¹²	DIN 53482

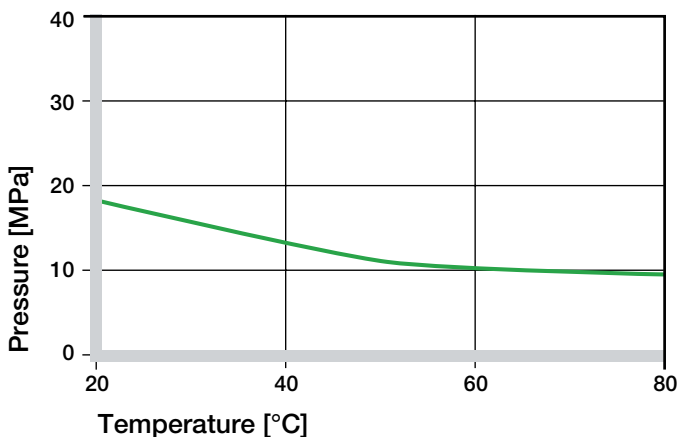
Table 01: Material data



Graph 01: Permissible pv values for iglidur® A200 with a wall thickness of 1 mm dry running against a steel shaft at +20 °C, mounted in a steel housing

Mechanical Properties

The recommended maximum surface pressure is a mechanical material parameter. No conclusions regarding the tribological properties can be drawn from this. With increasing temperatures, the compressive strength of iglidur® A200 plain bearings decreases. The Graph 02 shows this inverse relationship. However, at the longterm maximum temperature of +40 °C the permissible surface pressure is almost 5 MPa.



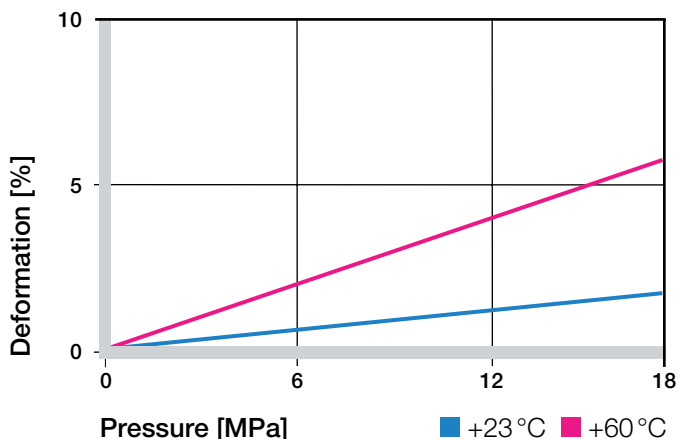
Graph 02: Recommended maximum surface pressure as a function of temperature (18 MPa at +20 °C)

Bearings made of iglidur® A200 are suitable for application in direct contact with foodstuffs. Hence they are the ideal solution for bearing positions in machines for the food industry, medical equipment manufacturing, for small equipment for households, etc. As the admixture of lubricants should be foregone in favor of food compatibility, the thermoplastic composition of iglidur® A200 is particularly adjusted for abrasion resistance. In addition the iglidur® A200 is characterized by its capacity to embed dirt and by its quiet operating behavior.

The good wear properties, dirt resistance and the possibility for dry operation allow to replace elaborately sealed, lubricated bearings for little costs.

Graph 03 shows the elastic deformation of iglidur® A200 during radial loading. At the recommended maximum surface pressure of 18 MPa the deformation is less than 2 %. A plastic deformation can be neglected up to this value. It is nonetheless depending on the duration of the applied force.

► Surface Pressure, page 43



Graph 03: Deformation under pressure and temperature

Permissible Surface Speeds

iglidur® A200 was developed for low surface speeds. With regard to running dry in continuous use, a maximum of 0.8 m/s (rotating) or 2 m/s (linear) is possible.

These given values indicate the limits at which an increase up to the continuous permissible temperature occurs. This increase is a result of friction. In practice, these limit values are not often reached, due to varying application conditions.

► Surface Speed, page 45

► pv value, page 45

m/s	Rotating	Oscillating	Linear
Continuous	0.8	0.6	2
Short term	1.5	1.1	3

Table 02: Maximum running speed

Temperatures

The maximum permissible short term temperature +170 °C. With increasing temperatures, the compressive strength of iglidur® A200 plain bearings decreases. Graph 02 shows this relationship. The ambient temperatures prevalent in the bearing system also have an effect on the bearing wear.

► Application Temperatures, page 46

iglidur® A200	Application temperature
Minimum	-40 °C
Max. long term	+80 °C
Max. short term	+170 °C
Add. securing is required from	+50 °C

Table 03: Temperature limits

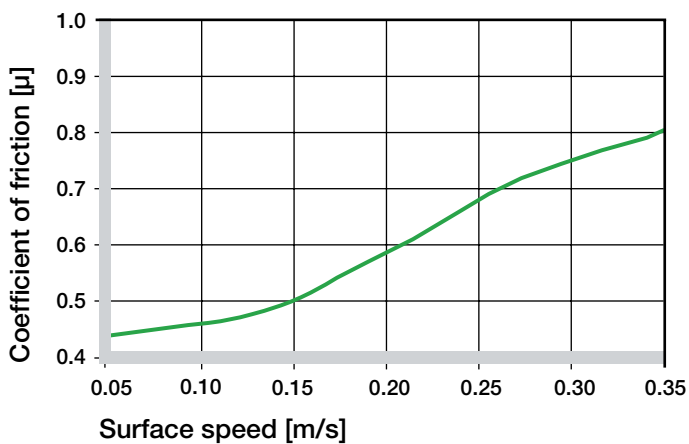
iglidur® A200 | Technical Data

Friction and Wear

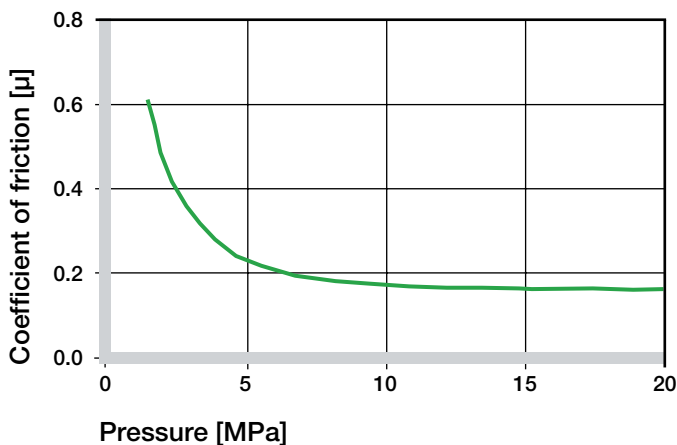
Just as the wear resistance, the coefficient of friction also changes with the load. For iglidur® A200 plain bearings, the coefficient of friction μ decreases slightly with increasing load. Friction and wear also depend to a high degree on the reverse partner. The shaft can be a decisive factor for an ideal pairing of the bearing system. Thus extremely smooth shafts enhance not only the coefficient of friction, but also the bearing wear. The most suited are smoothed surfaces with an average surface finish of $R_a = 0.4$ to $0.6 \mu\text{m}$.

► Coefficients of Friction and Surfaces, **page 48**

► Wear Resistance, **page 49**



Graph 04: Coefficient of friction as a function of the running speed, $p = 0.75 \text{ MPa}$



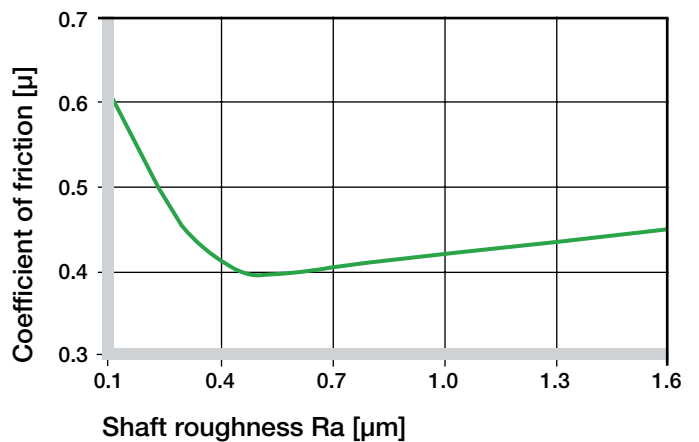
Graph 05: Coefficient of friction as a function of the pressure, $v = 0.01 \text{ m/s}$

Shaft Materials

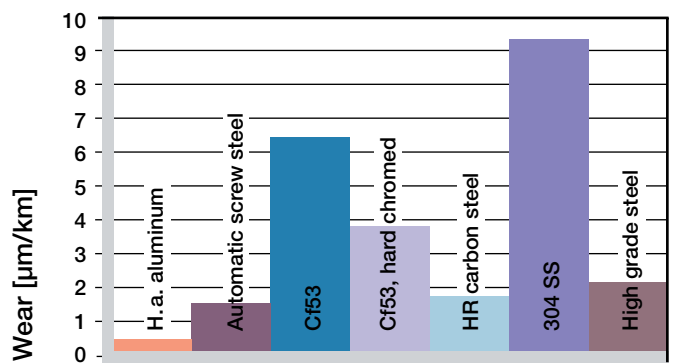
Graphs 06 to 09 show the test results of iglidur® A200 bearings running against various shaft materials.

The combination “iglidur® A200/hard-chromed shaft” clearly stands out. Up to a range of about 2.5 MPa , the wear of this combination remains largely independent of load. In pivoting applications below a load $p = 2 \text{ MPa}$, the wear of iglidur® A200 bearings is higher than in rotating applications with equal load. Here the St37 shaft is a positive exception with its much less coefficient of wear.

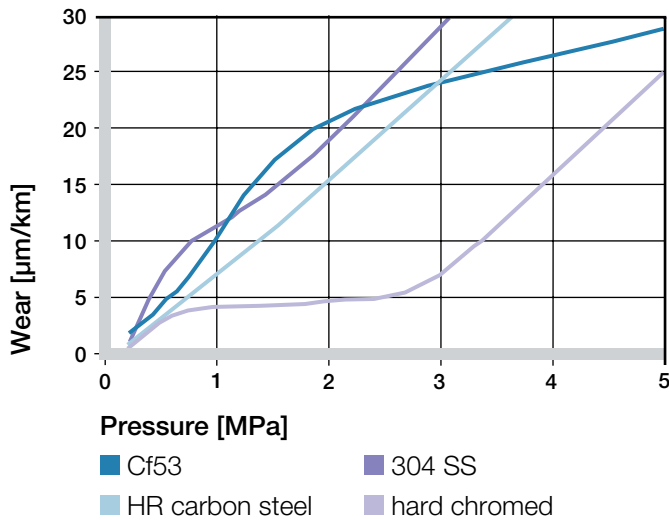
► Shaft Materials, **page 51**



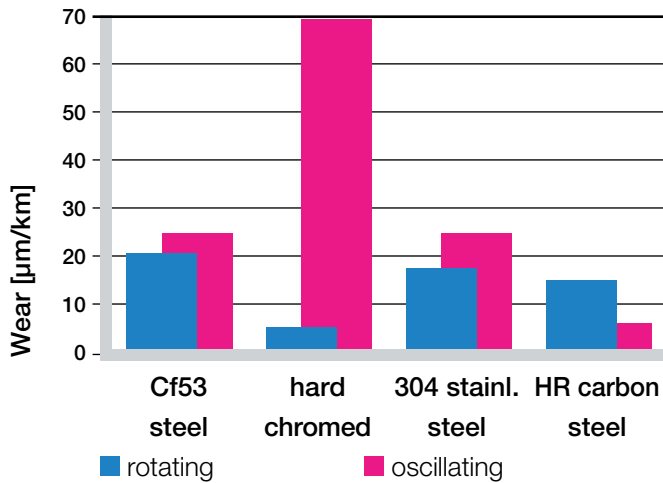
Graph 06: Coefficient of friction as function of the shaft surface (Cf53 hardened and ground steel)



Graph 07: Wear, rotating with different shaft materials, pressure $p = 0.75 \text{ MPa}$, $v = 0.5 \text{ m/s}$



Graph 08: Wear with different shaft materials in rotational operation, as a function of the pressure



Graph 09: Wear for rotating and oscillating applications with different shaft materials, p = 2 MPa

iglidur® A200	Dry	Greases	Oil	Water
C. o. f. μ	0.1–0.4	0.09	0.04	0.04

Table 04: Coefficient of friction against steel (Ra = 1 µm, 50 HRC)

Additional Properties

Chemical Resistance

iglidur® A200 plain bearings have strong resistance to chemicals. They are also resistant to most lubricants.

► Chemical Table, page 974

Medium	Resistance
Alcohol	+ to 0
Hydrocarbons	+
Greases, oils without additives	+
Fuels	+
Diluted acids	0 to –
Strong acids	–
Diluted alkalines	+
Strong alkalines	0

+ resistant 0 conditionally resistant – not resistant
All data given at room temperature [+20 °C]

Table 05: Chemical resistance

Radiation Resistance

Plain bearings made of iglidur® A200 are resistant to radiation up to an intensity of $1 \cdot 10^4$ Gy. Higher radiation levels attack the material and can cause the loss of essential mechanical properties.

UV Resistance

iglidur® A200 plain bearings are resistant to UV radiation.

Vacuum

In a vacuum environment, iglidur® A200 plain bearings have restricted use.

Electrical Properties

iglidur® A200 plain bearings are electrically insulating.

Volume resistance	$> 10^{13} \Omega\text{cm}$
Surface resistance	$> 10^{11} \Omega$

iglidur® A200 | Technical Data

Moisture Absorption

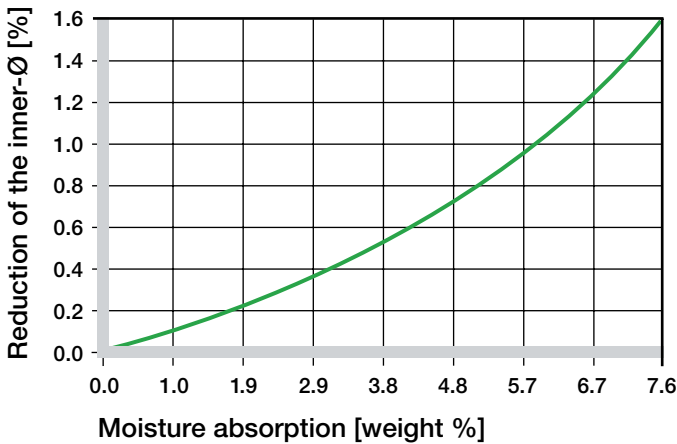
The moisture absorption of iglidur® A200 plain bearings is approximately 1.5 % in standard atmosphere. The saturation limit submerged in water is 7.6 %. This must be taken into account for these types of applications.

Maximum moisture absorption

At +23 °C/50 % r.h. 1.5 % weight

Max. moisture absorption 7.6 % weight

Table 06: Moisture absorption



Graph 10: Effect of moisture absorption on plain bearings

Installation Tolerances

iglidur® A200 plain bearings are standard bearings for shafts with h-tolerance (recommended minimum h9).

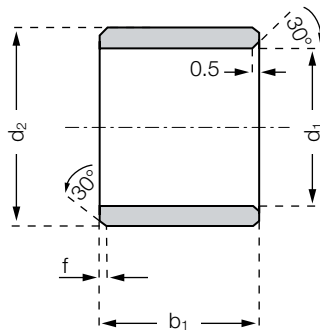
The bearings are designed for pressfit into a housing machined to a H7 tolerance. After the installation in a housing bore with the tolerance H7, the inner diameter of the bearing automatically adjusts to the D11 tolerance.

► Testing Methods, page 55

Diameter d1 [mm]	Shaft h9 [mm]	iglidur® A200 D11 [mm]	Housing H7 [mm]
up to 3	0-0.025	+0.020 +0.080	0 +0.010
> 3 to 6	0-0.030	+0.030 +0.105	0 +0.012
> 6 to 10	0-0.036	+0.040 +0.130	0 +0.015
> 10 to 18	0-0.043	+0.050 +0.160	0 +0.018
> 18 to 30	0-0.052	+0.065 +0.195	0 +0.021
> 30 to 50	0-0.062	+0.080 +0.240	0 +0.025

Table 07: Important tolerances for plain bearings according to ISO 3547-1 after pressfit

Sleeve bearing



Dimensions according to ISO 3547-1 and special dimensions

Chamfer in relation to the d1

d1 [mm]:	Ø 1-6	Ø 6-12	Ø 12-30	Ø > 30
f [mm]:	0.3	0.5	0.8	1.2

Dimensions [mm]

Part number	d1	d1-Tolerance*	d2	b1 h13
ASM-0103-02	1.0	+0.020 +0.080	3.0	2.0
ASM-0104-02	1.5	+0.020 +0.080	4.0	2.0
ASM-0205-02	2.0	+0.020 +0.080	5.0	2.0
ASM-0205-03	2.0	+0.020 +0.080	5.0	3.0
ASM-0206-03	2.5	+0.020 +0.080	6.0	3.0
ASM-0305-03	3.0	+0.020 +0.080	5.0	3.0
ASM-0305-04	3.0	+0.020 +0.080	5.0	4.0
ASM-0306-03	3.0	+0.020 +0.080	6.0	3.0
ASM-0306-04	3.0	+0.020 +0.080	6.0	4.0
ASM-0407-03	4.0	+0.030 +0.105	7.0	3.0
ASM-0407-04	4.0	+0.030 +0.105	7.0	4.0
ASM-0407-06	4.0	+0.030 +0.105	7.0	6.0
ASM-0408-06	4.0	+0.030 +0.105	8.0	6.0
ASM-0508-04	5.0	+0.030 +0.105	8.0	4.0
ASM-0508-05	5.0	+0.030 +0.105	8.0	5.0
ASM-0508-08	5.0	+0.030 +0.105	8.0	8.0
ASM-0509-05	5.0	+0.030 +0.105	9.0	5.0
ASM-0509-08	5.0	+0.030 +0.105	9.0	8.0
ASM-0608-10	6.0	+0.030 +0.105	8.0	10.0
ASM-0609-06	6.0	+0.030 +0.105	9.0	6.0
ASM-0610-04	6.0	+0.030 +0.105	10.0	4.0
ASM-0610-06	6.0	+0.030 +0.105	10.0	6.0
ASM-0610-10	6.0	+0.030 +0.105	10.0	10.0
ASM-0612-06	6.0	+0.030 +0.105	12.0	6.0
ASM-0612-10	6.0	+0.030 +0.105	12.0	10.0

* after pressfit. Testing methods ► page 55



Order key

ASM-0103-02



- Length b1
- Outer diameter d2
- Inner diameter d1
- Metric
- Type (Form S)
- Material iglidur® A200

Part number	d1	d1-Tolerance*	d2	b1 h13
ASM-0710-05	7.0	+0.040 +0.130	10.0	5.0
ASM-0710-08	7.0	+0.040 +0.130	10.0	8.0
ASM-0810-06	8.0	+0.040 +0.130	10.0	6.0
ASM-0810-08	8.0	+0.040 +0.130	10.0	8.0
ASM-0810-10	8.0	+0.040 +0.130	10.0	10.0
ASM-0811-08	8.0	+0.040 +0.130	11.0	8.0
ASM-0811-12	8.0	+0.040 +0.130	11.0	12.0
ASM-0812-06	8.0	+0.040 +0.130	12.0	6.0
ASM-0812-08	8.0	+0.040 +0.130	12.0	8.0
ASM-0812-10	8.0	+0.040 +0.130	12.0	10.0
ASM-0812-12	8.0	+0.040 +0.130	12.0	12.0
ASM-0814-06	8.0	+0.040 +0.130	14.0	6.0
ASM-0814-10	8.0	+0.040 +0.130	14.0	10.0
ASM-0912-14	9.0	+0.040 +0.130	12.0	14.0
ASM-1012-10	10.0	+0.040 +0.130	12.0	10.0
ASM-1014-06	10.0	+0.040 +0.130	14.0	6.0
ASM-1014-08	10.0	+0.040 +0.130	14.0	8.0
ASM-1014-10	10.0	+0.040 +0.130	14.0	10.0
ASM-1014-16	10.0	+0.040 +0.130	14.0	16.0
ASM-1016-06	10.0	+0.040 +0.130	16.0	6.0
ASM-1016-10	10.0	+0.040 +0.130	16.0	10.0
ASM-1016-16	10.0	+0.040 +0.130	16.0	16.0
ASM-1214-20	12.0	+0.050 +0.160	14.0	20.0
ASM-1216-15	12.0	+0.050 +0.160	16.0	15.0
ASM-1216-20	12.0	+0.050 +0.160	16.0	20.0



delivery available
time from stock



prices price list online
www.igus.eu/eu/a200



order part number
example ASM-0103-02



Sleeve bearing

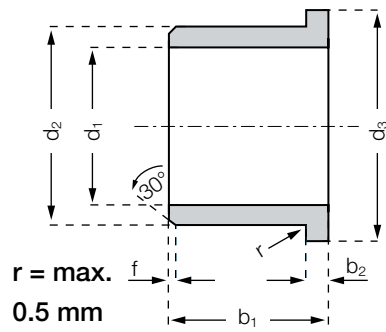
Dimensions [mm]

Part number	d1	d1-Tolerance*		d2	b1 h13
ASM-1218-08	12.0	+0.050	+0.160	18.0	8.0
ASM-1218-10	12.0	+0.050	+0.160	18.0	10.0
ASM-1218-15	12.0	+0.050	+0.160	18.0	15.0
ASM-1218-20	12.0	+0.050	+0.160	18.0	20.0
ASM-1416-10	14.0	+0.050	+0.160	16.0	10.0
ASM-1416-15	14.0	+0.050	+0.160	16.0	15.0
ASM-1416-20	14.0	+0.050	+0.160	16.0	20.0
ASM-1420-10	14.0	+0.050	+0.160	20.0	10.0
ASM-1420-15	14.0	+0.050	+0.160	20.0	15.0
ASM-1420-20	14.0	+0.050	+0.160	20.0	20.0
ASM-1517-10	15.0	+0.050	+0.160	17.0	10.0
ASM-1517-15	15.0	+0.050	+0.160	17.0	15.0
ASM-1521-10	15.0	+0.050	+0.160	21.0	10.0
ASM-1521-15	15.0	+0.050	+0.160	21.0	15.0
ASM-1521-20	15.0	+0.050	+0.160	21.0	20.0
ASM-1618-12	16.0	+0.050	+0.160	18.0	12.0
ASM-1618-20	16.0	+0.050	+0.160	18.0	20.0
ASM-1620-20	16.0	+0.050	+0.160	20.0	20.0
ASM-1620-25	16.0	+0.050	+0.160	20.0	25.0
ASM-1622-12	16.0	+0.050	+0.160	22.0	12.0
ASM-1622-15	16.0	+0.050	+0.160	22.0	15.0
ASM-1622-16	16.0	+0.050	+0.160	22.0	16.0
ASM-1622-20	16.0	+0.050	+0.160	22.0	20.0
ASM-1622-25	16.0	+0.050	+0.160	22.0	25.0
ASM-1824-12	18.0	+0.050	+0.160	24.0	12.0
ASM-1824-20	18.0	+0.050	+0.160	24.0	20.0
ASM-1824-30	18.0	+0.050	+0.160	24.0	30.0
ASM-2023-15	20.0	+0.065	+0.195	23.0	15.0
ASM-2023-20	20.0	+0.065	+0.195	23.0	20.0
ASM-2025-20	20.0	+0.065	+0.195	25.0	20.0
ASM-2025-15	20.0	+0.065	+0.195	25.0	15.0
ASM-2025-30	20.0	+0.065	+0.195	25.0	30.0
ASM-2026-15	20.0	+0.065	+0.195	26.0	15.0

Part number	d1	d1-Tolerance*		d2	b1 h13
ASM-2026-20	20.0	+0.065	+0.195	26.0	20.0
ASM-2026-30	20.0	+0.065	+0.195	26.0	30.0
ASM-2226-15	22.0	+0.065	+0.195	26.0	15.0
ASM-2228-10	22.0	+0.065	+0.195	28.0	10.0
ASM-2228-15	22.0	+0.065	+0.195	28.0	15.0
ASM-2228-20	22.0	+0.065	+0.195	28.0	20.0
ASM-2228-30	22.0	+0.065	+0.195	28.0	30.0
ASM-2430-15	24.0	+0.065	+0.195	30.0	15.0
ASM-2430-20	24.0	+0.065	+0.195	30.0	20.0
ASM-2430-30	24.0	+0.065	+0.195	30.0	30.0
ASM-2528-12	25.0	+0.065	+0.195	28.0	12.0
ASM-2528-20	25.0	+0.065	+0.195	28.0	20.0
ASM-2530-20	25.0	+0.065	+0.195	30.0	20.0
ASM-2530-30	25.0	+0.065	+0.195	30.0	30.0
ASM-2530-40	25.0	+0.065	+0.195	30.0	40.0
ASM-2532-20	25.0	+0.065	+0.195	32.0	20.0
ASM-2532-30	25.0	+0.065	+0.195	32.0	30.0
ASM-2532-40	25.0	+0.065	+0.195	32.0	40.0
ASM-2630-20	26.0	+0.065	+0.195	30.0	20.0
ASM-2632-30	26.0	+0.065	+0.195	32.0	30.0
ASM-2734-20	27.0	+0.065	+0.195	34.0	20.0
ASM-2734-30	27.0	+0.065	+0.195	34.0	30.0
ASM-2734-40	27.0	+0.065	+0.195	34.0	40.0
ASM-2833-20	28.0	+0.065	+0.195	33.0	20.0
ASM-2836-20	28.0	+0.065	+0.195	36.0	20.0
ASM-2836-30	28.0	+0.065	+0.195	36.0	30.0
ASM-2836-40	28.0	+0.065	+0.195	36.0	40.0
ASM-3038-20	30.0	+0.065	+0.195	38.0	20.0
ASM-3038-30	30.0	+0.065	+0.195	38.0	30.0
ASM-3038-40	30.0	+0.065	+0.195	38.0	40.0
ASM-3240-20	32.0	+0.080	+0.240	40.0	20.0
ASM-3240-30	32.0	+0.080	+0.240	40.0	30.0
ASM-3240-40	32.0	+0.080	+0.240	40.0	40.0

* after pressfit. Testing methods ► page 55

Flange bearing



Order key

AFM-0103-02



Length b1

Outer diameter d2

Inner diameter d1

Metric

Type (Form F)

Material iglidur® A200

Dimensions according to ISO 3547-1 and special dimensions

Chamfer in relation to the d1

d1 [mm]:	Ø 1-6	Ø 6-12	Ø 12-30	Ø > 30
f [mm]:	0.3	0.5	0.8	1.2

Dimensions [mm]

Part number	d1	d1-Tolerance*	d2	d3 d13	b1 h13	b2 -0.14
AFM-0103-02	1.0	+0.020 +0.080	3.0	5.0	2.0	1.0
AFM-0104-02	1.5	+0.020 +0.080	4.0	6.0	2.0	1.0
AFM-0205-03	2.0	+0.020 +0.080	5.0	8.0	3.0	1.5
AFM-0206-03	2.5	+0.020 +0.080	6.0	9.0	3.0	1.5
AFM-0306-04	3.0	+0.020 +0.080	6.0	9.0	4.0	1.5
AFM-0408-04	4.0	+0.030 +0.105	8.0	12.0	4.0	2.0
AFM-0408-06	4.0	+0.030 +0.105	8.0	12.0	6.0	2.0
AFM-0507-05	5.0	+0.030 +0.105	7.0	11.0	5.0	1.0
AFM-0509-05	5.0	+0.030 +0.105	9.0	13.0	5.0	2.0
AFM-0509-06	5.0	+0.030 +0.105	9.0	13.0	6.0	2.0
AFM-0509-08	5.0	+0.030 +0.105	9.0	13.0	8.0	2.0
AFM-0610-04	6.0	+0.030 +0.105	10.0	14.0	4.0	2.0
AFM-0610-06	6.0	+0.030 +0.105	10.0	14.0	6.0	2.0
AFM-0610-10	6.0	+0.030 +0.105	10.0	14.0	10.0	2.0
AFM-0612-06	6.0	+0.030 +0.105	12.0	14.0	6.0	3.0
AFM-0612-10	6.0	+0.030 +0.105	12.0	14.0	10.0	3.0
AFM-0711-08	7.0	+0.040 +0.130	11.0	15.0	8.0	2.0
AFM-0811-08	8.0	+0.040 +0.130	11.0	13.0	8.0	2.0
AFM-0812-06	8.0	+0.040 +0.130	12.0	16.0	6.0	2.0
AFM-0812-08	8.0	+0.040 +0.130	12.0	16.0	8.0	2.0
AFM-0812-12	8.0	+0.040 +0.130	12.0	16.0	12.0	2.0
AFM-0812-22	8.0	+0.040 +0.130	12.0	16.0	22.0	2.0
AFM-0814-06	8.0	+0.040 +0.130	14.0	18.0	6.0	3.0
AFM-0814-10	8.0	+0.040 +0.130	14.0	18.0	10.0	3.0
AFM-0914-06	9.0	+0.040 +0.130	14.0	19.0	6.0	2.0

* after pressfit. Testing methods ► page 55



delivery available
time from stock



prices price list online
www.igus.eu/eu/a200



order part number
example AFM-0103-02



Flange bearing

Dimensions [mm]

Part number	d1	d1-Tolerance*	d2	d3 d13	b1 h13	b2 -0.14
AFM-0914-10	9.0	+0.040 +0.130	14.0	19.0	10.0	2.0
AFM-0914-14	9.0	+0.040 +0.130	14.0	19.0	14.0	2.0
AFM-1016-06	10.0	+0.040 +0.130	16.0	22.0	6.0	3.0
AFM-1016-08	10.0	+0.040 +0.130	16.0	22.0	8.0	3.0
AFM-1016-10	10.0	+0.040 +0.130	16.0	22.0	10.0	3.0
AFM-1016-16	10.0	+0.040 +0.130	16.0	22.0	16.0	3.0
AFM-101620-10	10.0	+0.040 +0.130	16.0	20.0	10.0	3.0
AFM-1214-12	12.0	+0.050 +0.160	14.0	20.0	12.0	3.0
AFM-1218-08	12.0	+0.050 +0.160	18.0	24.0	8.0	1.0
AFM-1218-10	12.0	+0.050 +0.160	18.0	22.0	10.0	3.0
AFM-1218-12	12.0	+0.050 +0.160	18.0	24.0	12.0	3.0
AFM-1218-15	12.0	+0.050 +0.160	18.0	22.0	15.0	3.0
AFM-1218-20	12.0	+0.050 +0.160	18.0	22.0	20.0	3.0
AFM-1420-10	14.0	+0.050 +0.160	20.0	25.0	10.0	3.0
AFM-1420-15	14.0	+0.050 +0.160	20.0	25.0	15.0	3.0
AFM-1420-20	14.0	+0.050 +0.160	20.0	25.0	20.0	3.0
AFM-1521-10	15.0	+0.050 +0.160	21.0	27.0	10.0	3.0
AFM-1521-15	15.0	+0.050 +0.160	21.0	27.0	15.0	3.0
AFM-1521-20	15.0	+0.050 +0.160	21.0	27.0	20.0	3.0
AFM-1521-25	15.0	+0.050 +0.160	21.0	27.0	25.0	3.0
AFM-1622-12	16.0	+0.050 +0.160	22.0	28.0	12.0	3.0
AFM-1622-15	16.0	+0.050 +0.160	22.0	28.0	15.0	3.0
AFM-1622-20	16.0	+0.050 +0.160	22.0	28.0	20.0	3.0
AFM-1622-25	16.0	+0.050 +0.160	22.0	28.0	25.0	3.0
AFM-1824-12	18.0	+0.050 +0.160	24.0	30.0	12.0	3.0
AFM-1824-18	18.0	+0.050 +0.160	24.0	30.0	18.0	3.0
AFM-1824-20	18.0	+0.050 +0.160	24.0	30.0	20.0	3.0
AFM-1824-30	18.0	+0.050 +0.160	24.0	30.0	30.0	3.0
AFM-2026-15	20.0	+0.065 +0.195	26.0	32.0	15.0	3.0
AFM-2026-20	20.0	+0.065 +0.195	26.0	32.0	20.0	3.0
AFM-2026-30	20.0	+0.065 +0.195	26.0	32.0	30.0	3.0
AFM-2228-15	22.0	+0.065 +0.195	28.0	34.0	15.0	3.0
AFM-2228-20	22.0	+0.065 +0.195	28.0	34.0	20.0	3.0
AFM-2228-30	22.0	+0.065 +0.195	28.0	34.0	30.0	3.0
AFM-2430-15	24.0	+0.065 +0.195	30.0	36.0	15.0	3.0
AFM-2430-20	24.0	+0.065 +0.195	30.0	36.0	20.0	3.0
AFM-2430-30	24.0	+0.065 +0.195	30.0	36.0	30.0	3.0
AFM-2532-20	25.0	+0.065 +0.195	32.0	38.0	20.0	4.0
AFM-2532-30	25.0	+0.065 +0.195	32.0	38.0	30.0	4.0
AFM-2532-40	25.0	+0.065 +0.195	32.0	38.0	40.0	4.0
AFM-2734-20	27.0	+0.065 +0.195	34.0	40.0	20.0	4.0
AFM-2734-30	27.0	+0.065 +0.195	34.0	40.0	30.0	4.0

* after pressfit. Testing methods ► page 55



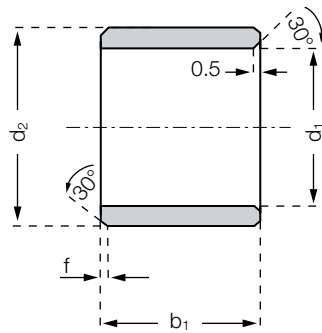
Flange bearing

Dimensions [mm]

Part number	d1	d1-Tolerance*	d2	d3 d13	b1 h13	b2 -0.14
AFM-2734-40	27.0	+0.065 +0.195	34.0	40.0	40.0	4.0
AFM-2836-20	28.0	+0.065 +0.195	36.0	42.0	20.0	4.0
AFM-2836-30	28.0	+0.065 +0.195	36.0	42.0	30.0	4.0
AFM-2836-40	28.0	+0.065 +0.195	36.0	42.0	40.0	4.0
AFM-3038-20	30.0	+0.065 +0.195	38.0	44.0	20.0	4.0
AFM-3038-30	30.0	+0.065 +0.195	38.0	44.0	30.0	4.0
AFM-3038-40	30.0	+0.065 +0.195	38.0	44.0	40.0	4.0
AFM-3240-20	32.0	+0.080 +0.240	40.0	46.0	20.0	4.0
AFM-3240-30	32.0	+0.080 +0.240	40.0	46.0	30.0	4.0
AFM-3240-40	32.0	+0.080 +0.240	40.0	46.0	40.0	4.0

* after pressfit. Testing methods ► page 55

Sleeve bearing



Order key

ASI-0204-04



Length b1
Outer diameter d2
Inner diameter d1
Metric
Type (Form S)
Material iglidur® A200

Dimensions according to ISO 3547-1 and special dimensions

Chamfer in relation to the d1

d1 [Inch]:	Ø 0.040–0.236	Ø 0.236–0.472	Ø 0.472–1.18	Ø > 1.18
f [Inch]:	0.012	0.019	0.031	0.047

Dimensions [Inch]

Part number	d1	d2	b1	d1*		Housing bore		Shaft size	
				max.	min.	max.	min.	max.	min.
ASI-0204-04	1/8	1/4	1/4	.1280	.1262	.2515	.2510	.1250	.1241
ASI-0305-04	3/16	5/16	1/4	.1905	.1887	.3140	.3135	.1875	.1866
ASI-0406-04	1/4	3/8	1/4	.2539	.2516	.3765	.3760	.2500	.2491
ASI-0406-06	1/4	3/8	3/8	.2539	.2516	.3765	.3760	.2500	.2491
ASI-0406-08	1/4	3/8	1/2	.2539	.2516	.3765	.3760	.2500	.2491
ASI-0507-08	5/16	15/32	1/2	.3164	.3141	.4390	.4385	.3125	.3116
ASI-0608-04	3/8	1/2	1/4	.3789	.3766	.5015	.5010	.3750	.3741
ASI-0608-08	3/8	1/2	1/2	.3789	.3766	.5015	.5010	.3750	.3741
ASI-0810-08	1/2	5/8	1/2	.5047	.5020	.6260	.6250	.5000	.4990
ASI-0810-12	1/2	5/8	3/4	.5047	.5020	.6260	.6250	.5000	.4990
ASI-1013-05	5/8	13/16	5/16	.6297	.6270	.8135	.8125	.6250	.6240
ASI-1013-12	5/8	13/16	3/4	.6297	.6270	.8135	.8125	.6250	.6240
ASI-1216-12	3/4	1	3/4	.7559	.7525	1.0010	1.0000	.7500	.7490
ASI-1216-16	3/4	1	1	.7559	.7525	1.0010	1.0000	.7500	.7490
ASI-1418-16	7/8	11/8	1	.8809	.8775	1.1260	1.1250	.8750	.8740
ASI-1620-12	1	19/32	3/4	1.0059	1.0025	1.2510	1.2500	1.0000	.9990
ASI-1620-16	1	19/32	1	1.0059	1.0025	1.2510	1.2500	1.0000	.9990
ASI-2024-16	1 1/4	117/32	1	1.2600	1.2531	1.5005	1.4995	1.2500	1.2490
ASI-2428-24	1 1/2	13/4	11/2	1.5100	1.5032	1.7505	1.7495	1.5000	1.4990

* after pressfit. Testing methods ► page 55



delivery available
time from stock

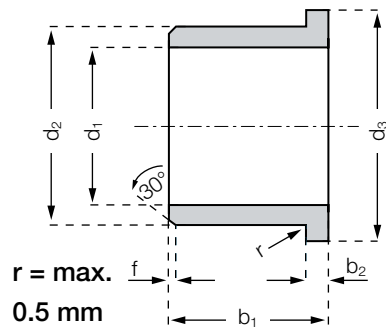


prices price list online
www.igus.eu/eu/a200



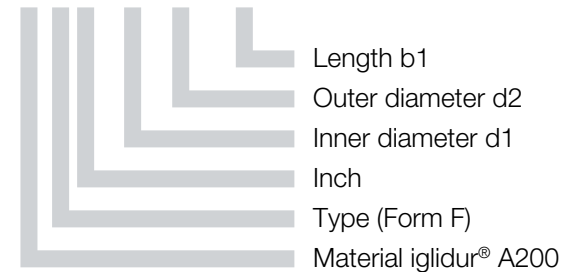
order part number
example ASI-0204-04

Flange bearing



Order key

AFI-0204-04



Dimensions according to ISO 3547-1 and special dimensions

Chamfer in relation to the d1

d1 [Inch]:	Ø 0.040–0.236	Ø 0.236–0.472	Ø 0.472–1.18	Ø > 1.18
f [Inch]:	0.012	0.019	0.031	0.047

Dimensions [Inch]

Part number	d1	d2	b1	d3	b2	d1*		Housing bore		Shaft size	
						max.	min.	max.	min.	max.	min.
AFI-0204-04	1/8	1/4	1/4	.360	.047	.1280	.1262	.2515	.2510	.1250	.1241
AFI-0305-04	3/16	5/16	1/4	.370	.047	.1905	.1887	.3140	.3135	.1875	.1866
AFI-0406-04	1/4	3/8	1/4	.560	.047	.2539	.2516	.3765	.3760	.2500	.2491
AFI-0406-06	1/4	3/8	3/8	.560	.047	.2539	.2516	.3765	.3760	.2500	.2491
AFI-0507-08	5/16	15/32	1/2	.560	.062	.3164	.3141	.4390	.4385	.3125	.3116
AFI-0608-04	3/8	1/2	1/4	.625	.062	.3164	.3141	.4390	.4385	.3125	.3116
AFI-0608-08	3/8	1/2	1/2	.625	.062	.3789	.3766	.5015	.5010	.3750	.3741
AFI-0810-08	1/2	5/8	1/2	.875	.062	.5047	.5020	.6257	.6250	.5000	.4983
AFI-0810-12	1/2	5/8	3/4	.875	.062	.5047	.5020	.6257	.6250	.5000	.4983
AFI-1013-16	5/8	13/16	1	1.063	.156	.6297	.6270	.8135	.8125	.6250	.6240
AFI-1216-12	3/4	1	3/4	1.250	.156	.7559	.7525	1.0010	1.0000	.7500	.7490
AFI-1216-16	3/4	1	1	1.250	.156	.7559	.7525	1.0010	1.0000	.7500	.7490
AFI-1418-24	7/8	11/8	11/2	1.375	.156	.8809	.8775	1.1260	1.1250	.8750	.8740
AFI-1620-16	1	19/32	1	1.500	.188	1.0059	1.0025	1.2510	1.2500	1.0000	.9990
AFI-1620-24	1	19/32	11/2	1.500	.188	1.0059	1.0025	1.2510	1.2500	1.0000	.9990
AFI-2024-16	11/4	117/32	1	1.750	.200	1.2600	1.2531	1.5005	1.4995	1.2500	1.2490
AFI-2024-24	11/4	117/32	11/2	1.750	.200	1.2600	1.2531	1.5005	1.4995	1.2500	1.2490
AFI-2428-16	11/2	13/4	1	2.000	.125	1.5100	1.5032	1.7505	1.7495	1.5000	1.4990
AFI-2428-24	11/2	13/4	11/2	2.000	.125	1.5100	1.5032	1.7505	1.7495	1.5000	1.4990
AFI-2832-16	13/4	2	1	2.250	.125	1.7560	1.7532	2.0005	1.9995	1.7500	1.7490

* after pressfit. Testing methods ► page 55



delivery available
time from stock



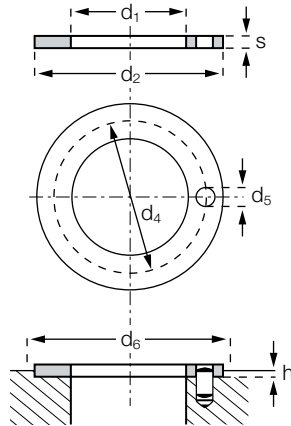
prices price list online
www.igus.eu/eu/a200



order part number
example AFI-0204-04

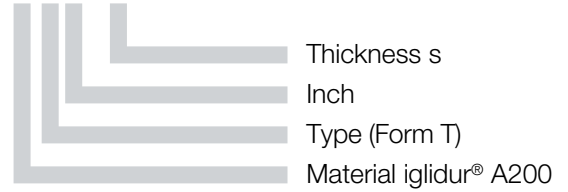
iglidur® A200 | Product Range | Inch

Thrust washer



Order key

ATI-04



Dimensions according to ISO 3547-1 and special dimensions

Dimensions [Inch]

Part number	d1 (nominal)	d1*		d2		s
		max.	min.	max.	min.	
ATI-04	1/4	.2610	.2551	.6201	.6094	.0902
ATI-06	3/8	.3943	.3813	.7500	.7370	.0902
ATI-08	1/2	.5102	.5031	.8201	.8071	.0902
ATI-12	3/4	.7673	.7598	1.0654	1.0500	.0941
ATI-16	1	1.0268	1.0197	1.5000	1.4843	.1252

* after pressfit. Testing methods ► page 55



delivery available
time from stock



prices price list online
www.igus.eu/eu/a200



order part number
example ATI-04

My Sketches

