

iglidur® Flange Bearings

With this design it is possible to use iglidur® high performance plain bearings in locations where recommended housing bore tolerances are not possible.



Very good
wear resistance

Maintenance-free

Material: iglidur® G,
iglidur® A180,
iglidur® J and iglidur® X

Light weight



When to use it?

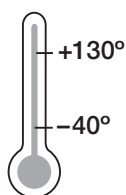
- When a screw flanged bearing is sought
- When a clip bearing solution is not satisfactory as a sheet metal feedthrough
- When there is a housing with very rough tolerances
- When the tight fit of a press-fit bearing is not sufficient as an axial securing



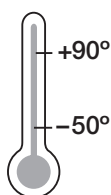
When not to use it?

- When an additional angular compensation is required
 - ▶ **igubal® Flange bearings, page 631**
- When a screw connection is not possible
 - ▶ **iglidur® Clip bearings, page 503**
- When a large guide length is necessary
 - ▶ **iglidur® G, page 61**

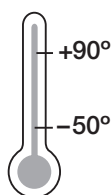
Temperature



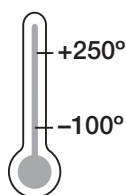
GFL



A180FL



JFL



XFL

Product range

1 style
Ø 10–35 mm
more dimensions
on request

iglidur® Flange Bearings | Technical Data

General Properties

With this design it is possible to use iglidur® high performance plain bearings in locations where recommended housing bore tolerances are not possible.

Due to the design of the bearing, high loads are possible although there is a minimal precision requirement of the housing. iglidur® maintenance-free flange bearings are made of iglidur® G, iglidur® J, iglidur® X or iglidur® A180. In this way, all the advantages of the iglidur® high performance polymers can be used, e.g. universal bearings, bearings with high wear-resistance or high temperature-resistance (up to +250 °C) or FDA-compliance.

Installation

Depending on the requirements, different mounting types can be considered. For low radial loads, it is sufficient to mount iglidur® flange bearings on one surface simply with two bolts. For higher radial loads, it is advisable to support the iglidur® flange bearing in a bore on the reinforced side facing the direction of the load. For this bore, large tolerances are permitted, since it serves only as additional support for the iglidur® flange bearing. In order to achieve higher radial loads in the bearings, the iglidur® flange bearing can be pressfit into a recommended housing bore. The additional bolts ensure the fit of the bearing in the housing.

For the installation of the iglidur® maintenance-free flange bearing, no special materials or tools are necessary.



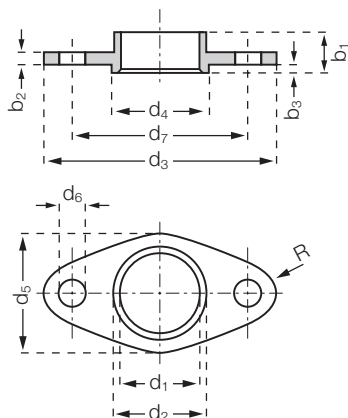
Material data for available materials:

- iglidur® G ► page 61
- iglidur® A180 ► page 371
- iglidur® J ► page 89
- iglidur® X ► page 153



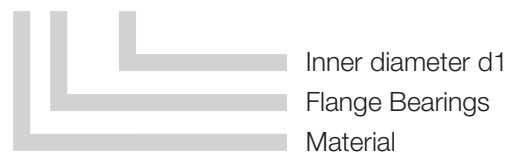
The installation of iglidur® flange bearing: simple and secure

Flange bearings



Order key

GFL-10



Dimensions [mm]

Part number	d1*	d2**	d3	d4	d5	d6	d7	b1	b2	b3	R (±0.2)
GFL-10	10	12	30	14	15	4.5	22	6	2	1	4
GFL-12	12	14	36	16	18	4.5	26	6	2	1	4.5
GFL-14	14	16	42	18	21	5.5	30	6	2	1	5
GFL-16	16	18	48	20	24	5.5	34	6	2	1	5.5
GFL-18	18	20	54	22	27	6.5	39	6	2	1	7
GFL-20	20	23	60	26	30	6.5	44	10	3	2	7
GFL-25	25	28	75	30	35	6.5	55	10	3	2	8.5
GFL-30	30	34	90	36	40	8.5	66	10	3	2	10
GFL-35	35	39	95	41	55	8.5	77	10	3	2	12
A180FL-10	10	12	30	14	15	4.5	22	6	2	1	4
A180FL-12	12	14	36	16	18	4.5	26	6	2	1	4.5
A180FL-16	16	18	48	20	24	5.5	34	6	2	1	5.5
A180FL-20	20	23	60	26	30	6.5	44	10	3	2	7
A180FL-25	25	28	75	30	35	6.5	55	10	3	2	8.5
A180FL-30	30	34	90	36	40	8.5	66	10	3	2	10
A180FL-35	35	39	95	41	55	8.5	77	10	3	2	12
JFL-10	10	12	30	14	15	4.5	22	6	2	1	4
JFL-12	12	14	36	16	18	4.5	26	6	2	1	4.5
JFL-14	14	16	42	18	21	5.5	30	6	2	1	5
JFL-16	16	18	48	20	24	5.5	34	6	2	1	5.5
JFL-20	20	23	60	26	30	6.5	44	10	3	2	7
JFL-25	25	28	75	30	35	6.5	55	10	3	2	8.5
JFL-30	30	34	90	36	40	8.5	66	10	3	2	10
JFL-35	35	39	95	41	55	8.5	77	10	3	2	12
XFL-10	10	12	30	14	15	4.5	22	6	2	1	4
XFL-12	12	14	36	16	18	4.5	26	6	2	1	4.5
XFL-14	14	16	42	18	21	5.5	30	6	2	1	5
XFL-16	16	18	48	20	24	5.5	34	6	2	1	5.5
XFL-20	20	23	60	26	30	6.5	44	10	3	2	7
XFL-25	25	28	75	30	35	6.5	55	10	3	2	8.5
XFL-30	30	34	90	36	40	8.5	66	10	3	2	10
XFL-35	35	39	95	41	55	8.5	77	10	3	2	12

delivery available
time from stock

prices price list online
www.igus.eu/iglidur-flange

order part number
example GFL-10