

igubal® Flange Bearings



Maintenance-free, dry-running

High tensile strength

High endurance strength

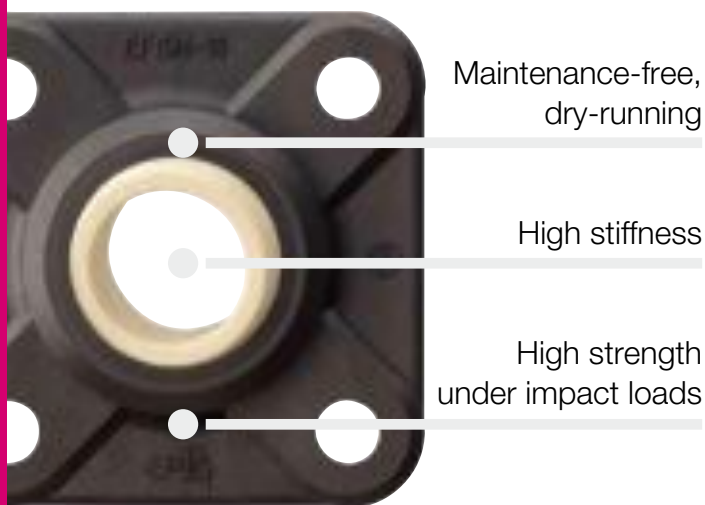
Compensation of alignment errors

Compensation of edge loads

Light weight

igubal® Flange Bearings

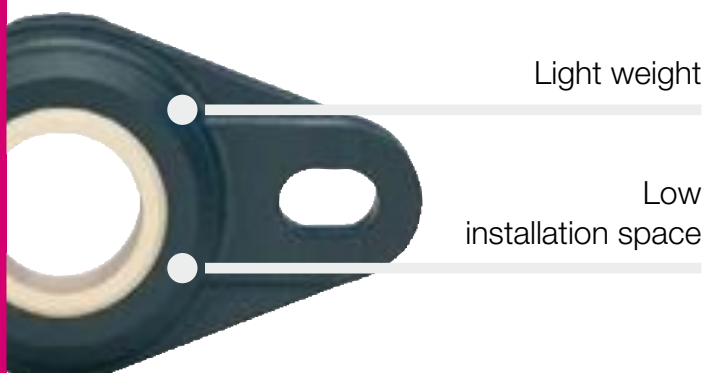
igubal® flange bearings have been developed for the support of shaft ends or for shafts lead-through. Like all igubal® products, these bearings consist of an igumid G housing and an iglidur® W300 spherical ball. igubal® flange bearings are made to the dimensional series E and are offered with two or four mounting holes.



Maintenance-free,
dry-running

High stiffness

High strength
under impact loads



Light weight

Low
installation space



When to use it?

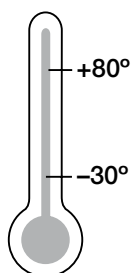
- If chemical resistance is required
- If a cost-effective option is requested
- If you need dirt-resistant bearings
- To adjust misalignment
- If you need splitting components



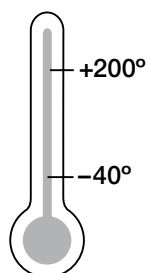
When not to use it?

- If temperatures are higher than +200 °C
 - ▶ HT Version, page 697-698
- If an integrated fixing collar is required
- If dimensions above 50 mm are necessary
- If rotation speeds higher than 0.5 m/s are required

Temperature



Standard



High temperature (HT)

Product Range

5 types
Ø 4–50 mm



igubal® Flange Bearings | Application Examples

Typical sectors of industry and application areas

- Plant construction ● Automation
- Agricultural machines
- Machine building ● Food industry etc.



Improve technology and reduce costs –
110 exciting examples online

► www.igus.eu/igubal-applications



Conveyor technique



► www.igus.eu/agrar



► www.igus.eu/rotary-sorter



► www.igus.eu/food

General Properties

igubal® Flange bearings have been developed for the support of shaft ends or for shafts lead-through. Like all igubal® products, these bearings consist of an igumid G housing and an iglidur® W300 spherical ball. igubal® flange bearings are made to the dimensional series E and are offered with two or four mounting holes.

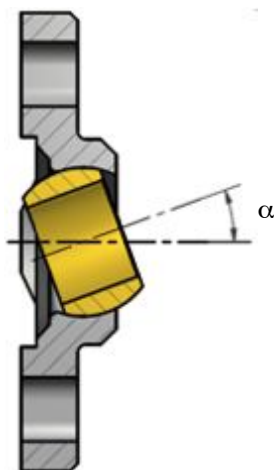
Areas of Application

Since igubal® flange bearings are made for maintenance-free use, they are especially suitable for applications in which access to the bearing is limited, in moist or wet environments or clean room environments. igubal® flange bearings are also found in electric brushes, awnings, conveyor technology, and bakery machines.

Installation

igubal® flange bearings are designed for mounting with 2 or 4 bolts, depending on the design. The 2-hole types are provided with elongated holes, which allow easy and flexible installation. An exact positioning of the bearing housing is not necessary, since the flange bearing compensates for alignment errors.

Pivot angle



igubal® Flange Bearings | Product Overview



EFOM
Series E
2 mounting holes

▶ [from page 692](#)



EFSM
Series E
4 mounting holes

▶ [from page 694](#)



KFMSM-GT
Series K
4 mounting holes
Split housing

▶ [page 696](#)



EFOM-HT
Series E
High temperature

▶ [page 697](#)



EFSM-HT
Series E
High temperature

▶ [page 698](#)

Flange bearing with 2 mounting holes: EFOM



- iglidur® W300 highly wear resistant spherical ball
- Easy to install
- Compensation of misalignment errors
- Corrosion-resistance
- Light weight
- Maintenance-free, self-lubricating

Technical Data

Part number	Maximum static axial load		Maximum static radial load		Maximum static torque	Max. pivot angle	Weight [g]
	Short term [N]	Long term [N]	Short term [N]	Long term [N]	Holes [Nm]		
EFOM-04	400	200	750	375	0.6	28°	1.9
EFOM-05	400	200	750	375	0.6	29°	2.3
EFOM-06	500	250	800	400	0.6	25°	1.8
EFOM-08	700	350	1,100	550	1.3	25°	4.1
EFOM-10	850	425	2,000	1,000	2.5	25°	6.8
EFOM-12	1,100	550	2,200	1,100	2.5	21°	8.9
EFOM-15	1,300	650	2,400	1,200	4.5	20°	15
EFOM-16	1,400	700	2,800	1,400	4.5	27°	17.7
EFOM-17	1,800	900	3,200	1,600	4.5	21°	24.9
EFOM-20	1,800	900	5,500	2,750	10.5	19°	32.8
EFOM-25	3,000	1,500	6,000	3,000	10.5	15°	58.5
EFOM-30	3,500	1,750	6,500	3,250	21.5	14°	78.9

Spherical ball materials to choose ► page 723



J4VEM:
clearance-free,
preloaded



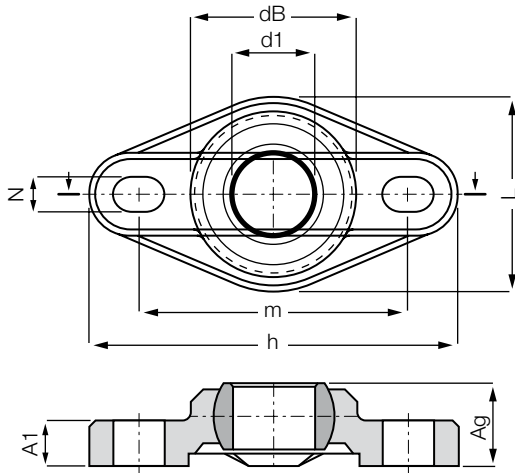
JEM: low
moisture
absorption



REM:
low-cost

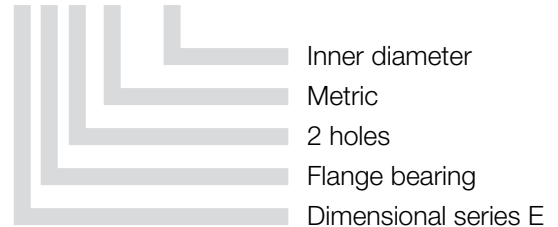


J4EM: low-cost
and low moisture
absorption



Order key

EFOM-04



Material:

Housing: **igumid G** ► page 1127

Spherical ball: **iglidur® W300** ► page 727

Dimensions [mm]

Part number	d1 E10	dB	h Length	L Width	m Hole pitch ±0.1	A1 Height of plate +0.1	Ag Total height	N Bore diameter d x l
EFOM-04	4	14.0	33.8	16.0	24.0	4.5	8.0	3.2 x 5.0
EFOM-05	5	14.0	33.8	16.0	24.0	4.5	8.5	3.2 x 5.0
EFOM-06	6	14.0	33.8	16.0	24.0	4.5	8.5	3.2 x 5.0
EFOM-08	8	18.0	44.2	22.0	31.0	5.5	10.5	4.3 x 6.5
EFOM-10	10	22.2	52.0	26.0	36.0	6.5	12.0	5.3 x 8.0
EFOM-12	12	25.0	56.7	31.0	41.0	7.0	13.0	5.3 x 8.0
EFOM-15	15	29.8	68.6	36.0	50.0	8.5	15.5	6.4 x 10.0
EFOM-16	16	32.0	72.6	38.0	53.0	10.0	17.5	6.4 x 10.1
EFOM-17	17	34.8	74.6	41.0	55.0	10.0	18.0	6.4 x 10.2
EFOM-20	20	40.0	89.0	47.0	65.0	11.0	20.0	8.4 x 12.5
EFOM-25	25	48.5	101.0	58.5	75.0	14.0	25.0	8.4 x 12.6
EFOM-30	30	55.0	118.0	65.0	87.5	15.0	26.0	10.5 x 16.0

To apply to following **standard tolerances**:

from 0,5 to 6 mm: ±0.1 mm

over 6 to 30 mm: ±0.2 mm

over 30 to 120 mm: ±0.3 mm



delivery from stock
time



prices price list online
www.igus.eu/eu/efom

Flange bearing with 4 mounting holes: EFSM



- Spherical ball made from high wear-resistant iglidur® W300
- Easy assembly
- Compensation of alignment errors
- Corrosion-resistant
- Light weight
- Maintenance-free, dry-running

Technical Data

Part number	Maximum static axial load		Maximum static radial load		Maximum static torque Holes	Max. pivot angle	Weight [g]
	Short term	Long term	Short term	Long term			
	[N]	[N]	[N]	[N]	[Nm]		
EFSM-04	200	100	1,000	500	0.6	28°	2.6
EFSM-05	300	150	1,000	500	0.6	29°	2.7
EFSM-06	300	150	1,000	500	0.6	25°	2.8
EFSM-08	450	225	1,400	700	1.3	25°	5.9
EFSM-10	700	350	2,000	1,000	2.5	25°	9.1
EFSM-12	850	425	2,500	1,250	2.5	21°	11
EFSM-15	1,100	550	3,000	1,500	4.5	20°	20.2
EFSM-16	1,350	675	3,200	1,600	4.5	27°	23.3
EFSM-17	1,600	800	3,400	1,700	4.5	21°	27.9
EFSM-20	2,000	1,000	4,000	2,000	10.5	19°	45
EFSM-25	2,400	1,200	5,600	2,800	10.5	15°	76
EFSM-30	2,800	1,400	6,000	3,000	21.5	14°	100.7

Spherical ball materials to choose ► page 723



J4VEM:
clearance-free,
preloaded



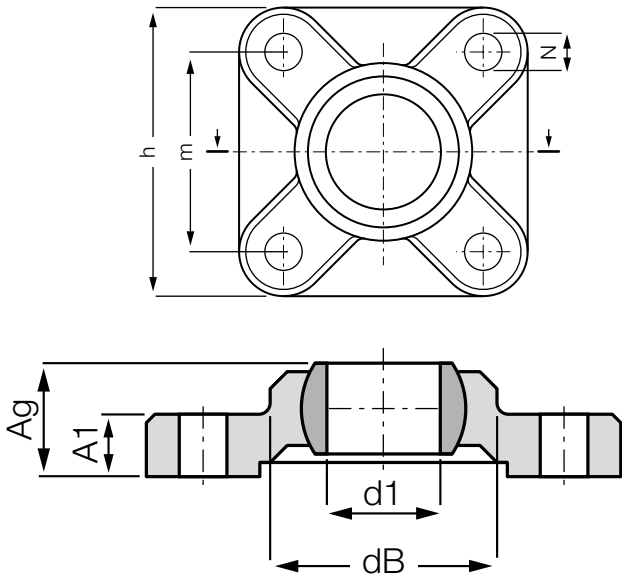
JEM: low
moisture
absorption



REM:
low-cost

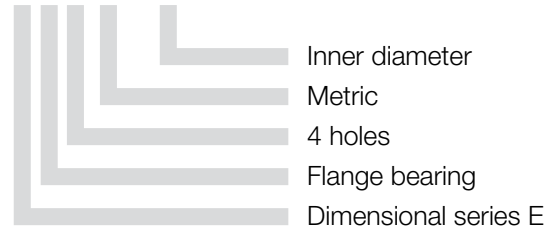


J4EM: low-cost
and low moisture
absorption



Order key

EFSM-04



Material:

Housing: **igumid G** ► page 1127

Spherical ball: **iglidur® W300** ► page 727

Dimensions [mm]

Part number	d1 E10	dB	h Width	m Hole pitch ±0.1	A1 Height of plate	Ag Total height	N Bore d
EFSM-04	4	14.0	25.0	17.0	4.5	8.5	3.2
EFSM-05	5	14.0	25.0	17.0	4.5	8.5	3.2
EFSM-06	6	14.0	25.0	17.0	4.5	8.5	3.2
EFSM-08	8	18.0	33.0	22.0	5.5	10.5	4.3
EFSM-10	10	21.9	38.0	26.0	6.5	12.0	5.3
EFSM-12	12	25.0	40.0	28.0	7.0	13.0	5.3
EFSM-15	15	30.0	49.0	34.0	8.5	15.5	6.4
EFSM-16	16	32.0	52.0	36.0	9.0	16.5	6.4
EFSM-17	17	35.0	54.0	38.0	10.0	18.0	6.4
EFSM-20	20	40.0	65.0	45.0	11.0	20.0	8.4
EFSM-25	25	48.5	74.0	52.0	14.0	25.0	8.4
EFSM-30	30	54.5	85.0	60.0	15.0	26.0	10.5

To apply to following **standard tolerances:**

from 0,5 to 6 mm: ±0.1 mm

over 6 to 30 mm: ±0.2 mm

over 30 to 120 mm: ±0.3 mm

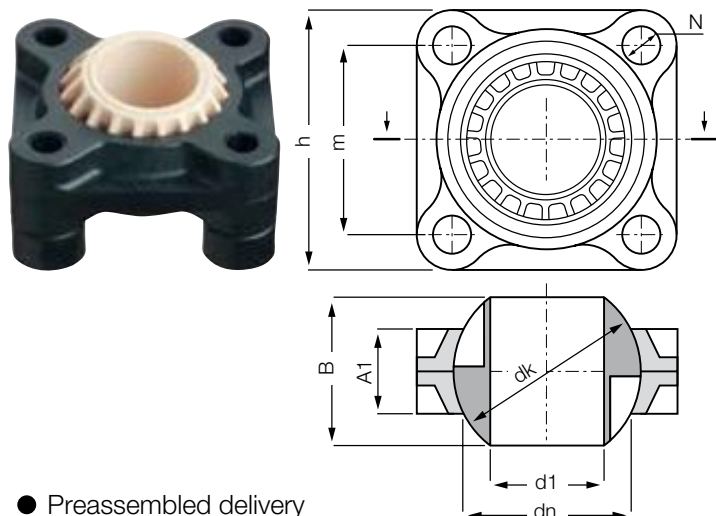


delivery from stock
time



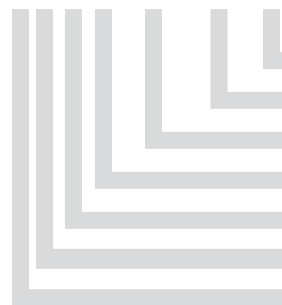
prices price list online
www.igus.eu/eu/efsm

Flange bearing with 4 mounting holes and split housing: KFSM GT



Order key

KFSM GT-35-A



Option with plug-in feet
Inner diameter
Split housing
Metric
4 holes
Flange bearing
Dimensional series K

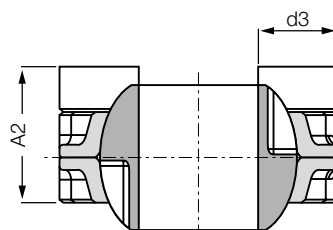
- Preassembled delivery
- Option with plug-in feet
- Resistant to dirt
- Light weight
- Low installation space
- For high static loads
- High tensile strength and fatigue strength
- Predictable lifetime
- Maintenance-free, dry-running
- Mounting: with plug-in feet M10
without plug-in feet M12



Material:

Housing: **RN33** ► page 1128

Spherical ball: **iglidur® J** ► page 730



Example: KFSM-GT-40-A

Technical Data

Part number	Maximum static radial load		Maximum static axial load		Weight [g]
	Short term [N]	Long term [N]	Short term [N]	Long term [N]	
KFSM-GT-35*	5,000	2,500	4,500	2,250	183.5
KFSM-GT-40	5,000	2,500	4,500	2,250	161.6
KFSM-GT-45*	6,000	3,000	5,000	2,500	294.6
KFSM-GT-50	6,000	3,000	5,000	2,500	260.1

Max. tightening torque for fixing: 30 Nm

Dimensions [mm]

Part number	d1 E10	dn	d3	dk	A1	A2	B	m	h	N	Max. pivot angle
KFSM-GT-35*	35.0	59.0	26.0	66.0	30.0	45.0	48.5	66.0	92.0	13.5	24°
KFSM-GT-40	40.0	59.0	26.0	66.0	30.0	45.0	48.5	66.0	92.0	13.5	24°
KFSM-GT-45*	45.0	72.0	26.0	82.0	40.0	60.0	60.0	78.0	104.0	13.5	24°
KFSM-GT-50	50.0	72.0	26.0	82.0	40.0	60.0	60.0	78.0	104.0	13.5	24°

For KFSM with distance pieces, please add an "A" to the part no. Example: KFSM-GT50-A.

* Diameter given by iglidur® J bore reducer



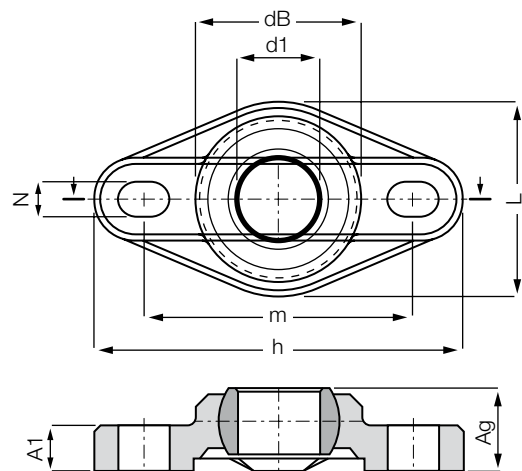
delivery from stock
time



prices price list online
www.igus.eu/eu/kfsm-gt

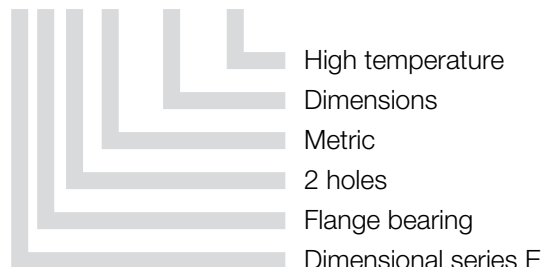
igubal® Flange Bearings | Product Range

High-temperature flange bearing with 2 mounting holes: EFOM-HT



Order key

EFOM-06-HT



Material:

Housing: **iguton G** ► page 1127

Spherical ball: **iglidur® X** ► page 729

- For high temperatures up to +200 °C
- Spherical ball made of high temperature resistant iglidur® X
- Easy assembly
- Compensation for alignment errors
- Corrosion-resistance
- Light weight
- Maintenance-free, dry-running
- Chemical resistant (chemical table ► page 1118)
- Under-water use

Dimensions [mm]

Part number	d1 E10	dB	h Length	L Width	m Hole pitch ±0.1	A1 Height of plate	Ag Total height	N Bore diameter d · l	Max. pivot angle	Weight [g]
EFOM-05-HT	5	14.0	33.8	16.0	24.0	4.5	8.5	3.2 x 5.0	29°	2.5
EFOM-06-HT	6	14.0	33.8	16.0	24.0	4.5	8.5	3.2 x 5.5	27°	2.3
EFOM-08-HT	8	18.0	44.2	22.0	31.0	5.5	10.5	4.3 x 6.5	24°	5.0
EFOM-10-HT	10	22.0	52.0	26.0	36.0	6.5	12.0	5.3 x 8.0	24°	8.3
EFOM-12-HT	12	25.0	56.7	31.0	41.0	7.0	13.0	5.3 x 8.0	21°	10.7

Other dimensions available on request

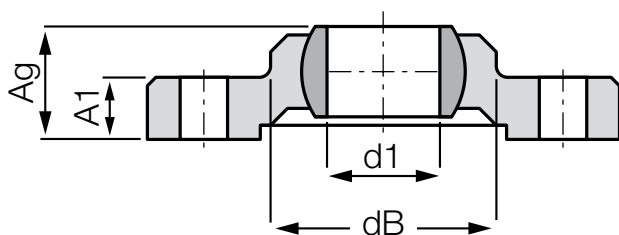
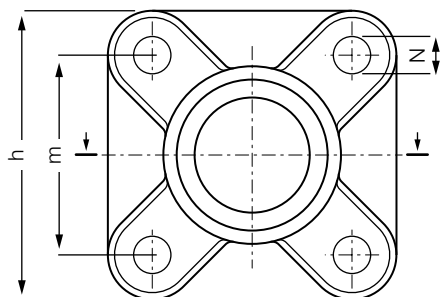


delivery from stock
time



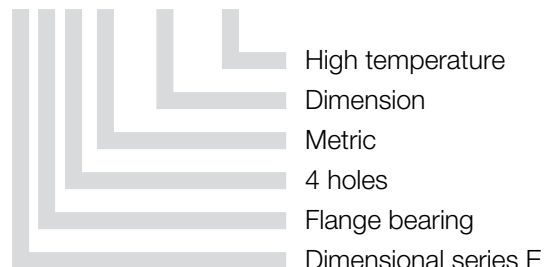
prices price list online
www.igus.eu/eu/efom-ht

High-temperature flange bearing with 4 mounting holes: EFSM-HT



Order key

EFSM-05-HT



Material:

Housing: **iguton G** ► page 1127

Spherical ball: **iglidur® X** ► page 729

- For high temperatures up to +200 °C
- Spherical ball made of high temperature resistant iglidur® X
- Easy assembly
- Compensation for alignment errors
- Corrosion-resistance
- Light weight
- Maintenance-free, dry-running
- Chemical resistant (chemical table ► page 1118)
- Under-water use

Dimensions [mm]

Part number	d1 E10	dB	h Width	m Hole pitch ±0.1	A ₁ Height of plate	A _g Total height	N Bore diameter d	Max. pivot angle	Weight [g]
EFSM-05-HT	5	14.0	25.0	17.0	4.5	8.5	3.2	29°	3.5
EFSM-06-HT	6	14.0	25.0	17.0	4.5	8.5	3.2	25°	3.3
EFSM-08-HT	8	18.0	33.0	22.0	5.5	10.5	4.3	25°	7.1
EFSM-10-HT	10	22.0	38.0	26.0	6.5	12.0	5.3	25°	11.2
EFSM-12-HT	12	25.0	40.0	28.0	7.0	13.0	5.3	21°	13.3

Other dimensions available on request



delivery from stock
time



prices price list online
www.igus.eu/eu/efsm-ht