

COB TCQ + COB TSFS
(COB...CMS, alternative)

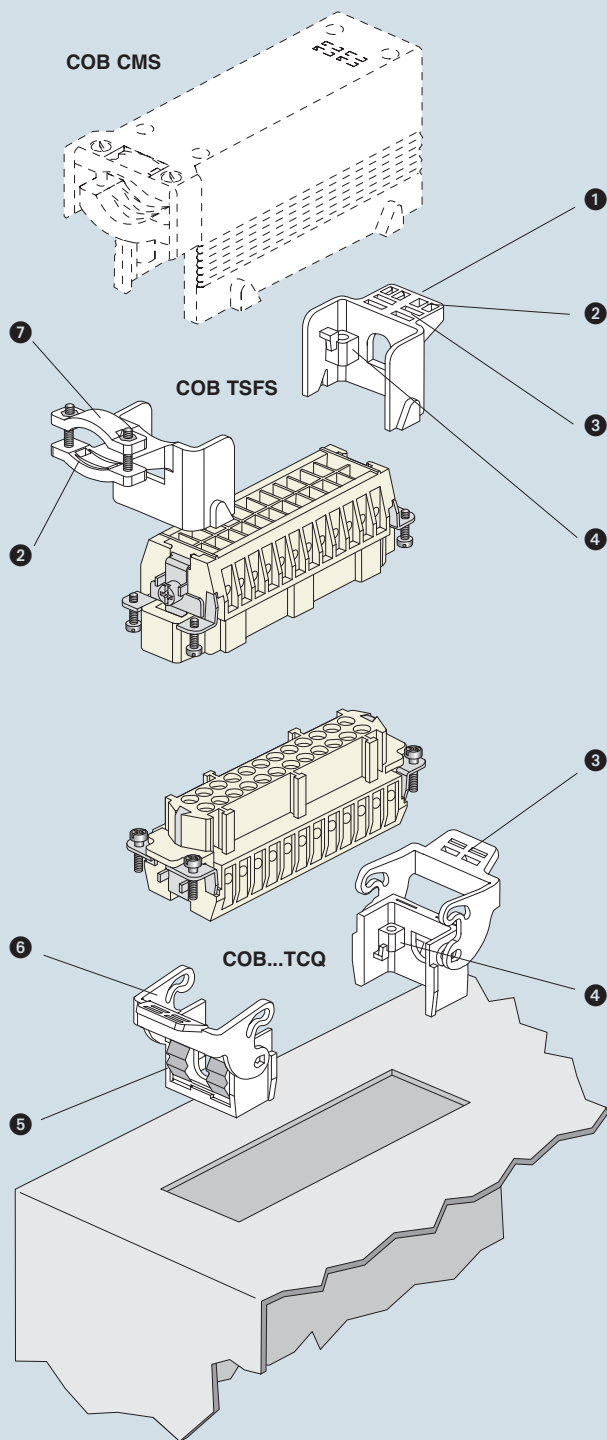


Figure 1:
- snap fastening in window*, panels or control panels

Use

The COB system makes it possible to use multipole connectors within electric panels without the traditional metallic enclosures as protection is assured by the electric panel itself or other container.

(N.B.: the connectors must not be handled live).

The COB system may be assembled in the three following ways:

- on panels with window snap fastening device (**Figure 1**)
- on DIN EN 60715 rails, both lengthways and crossways to the support (**Figure 2**)
- on fixed panels using screws (**Figure 2**)

The COB system offers the following advantages:

- reduction in cost and space with respect to metallic enclosures and traditional terminal boards
- possibility of rewiring at the connector bench with connected devices
- easy wiring inspection and tests with coupled connectors, thanks to rear access to the inserts via the turnover device
- fast mounting in panels thanks to the snap fastening device on the DIN EN 60715 rails
- sturdy support structure, specific to the size of each insert and does not require any preparation
- broad passage for housing of conductor cables
- mobile parts prearranged for the clamping of bundles of conductors of multipolar cables to prevent contact with the connector contacts.

The COB system satisfies the most varied installation needs thanks to the interchangeability of the connector inserts. The inserts can be installed as per the following table:

supports for connector inserts

types	COB TCQ			
	COB 06 BC	COB 10 BC	COB 16 BC	COB 24 BC
fixed				
types	COB TSF and COB TSFS			
	COB 06 CMS	COB 10 CMS	COB 16 CMS	COB 24 CMS
mobile				

insert centre distance:

mm	44 x 27	57 x 27	49.5 x 16* 66 x 16* 77.5 x 27	104 x 27

insert series and polarity + ⊕

			15*, 25*, 40	64
CDD	24	42	38*, 72	108
CDA			10*, 16*	
CDC			10*, 16*	
JCSE	6	10	16	24
CCE	6	10	16	24
CQE	10	18	32	46
JCNE	6	10	16	24
CNE	6	10	16	24
CSH	6	10	16	24
CSE	6	10	16	24
CMCE		3 + 2	6 + 2	10 + 2 16 + 2
CME		3 + 2	6 + 2	10 + 2 16 + 2
CMS		3 + 2	6 + 2	10 + 2
CP			6	
CX			4/0, 4/2 6/36 12/2	4/8
MIXO	2 modules	3 modules	4 modules	6 modules

*) mounting via adaptor plates described on page 412

In addition, the COB.BC supports may house the ILME CR...AD1 and CR...AD2 series plates for the D-SUB inserts (microconnectors).

Characteristics

- 1 COB, TSF or COB TSFS insert support blocks (with cable clamp) for mobile mounting, in self-extinguishing thermoplastic material.
- 2 passage for cable support bands (from 2.2 to 4.8 mm).
- 3 locations for insertion of identification tags (size 9 x 20 mm).
- 4 threaded metallic inserts for fixing the inserts with normal screws and possibility of coded connection with the use of specific pins (ILME part: CR 20, CRM, CRF, CR 20 CX, CRM CX and CRF CX) when identical connectors are used.
- 5 COB TCQ insert carrier block for window* mounting in self-extinguishing thermoplastic material, with spring snap fastening.
- 6 locking device with levers in self-extinguishing thermoplastic material for insert coupling.
- 7 sturdy cable clamp for clamping multipolar cables with a diameter of up to 25 mm or bundles of unipolar conductors.
- 8 COB...CMS enclosure for mobile mounting, in self-extinguishing thermoplastic material, IP20 protection rating.
- 9 free passage for mounting wired insert with conductor cables.
- 10 mobile blocks (in COB...BC kit) in self-extinguishing thermoplastic material, with quick release device for insert turnover, wiring operations, verifications and maintenance.
- 11 COB...BC panel support for bulkhead mounting in self-extinguishing thermoplastic material, sturdy block support structure, with broad passage for housing of conductor cables.
- 12 holes for fixed fastening with screws without DIN EN 60715 rails.
- 13 snap fastening on DIN EN 60715 rails, both lengthways and crossways to the support Figure.
- 14 turnover pins that can be released and allow the use of prewired inserts.

COB...BC + COB...CMS (COB TSF, alternative)

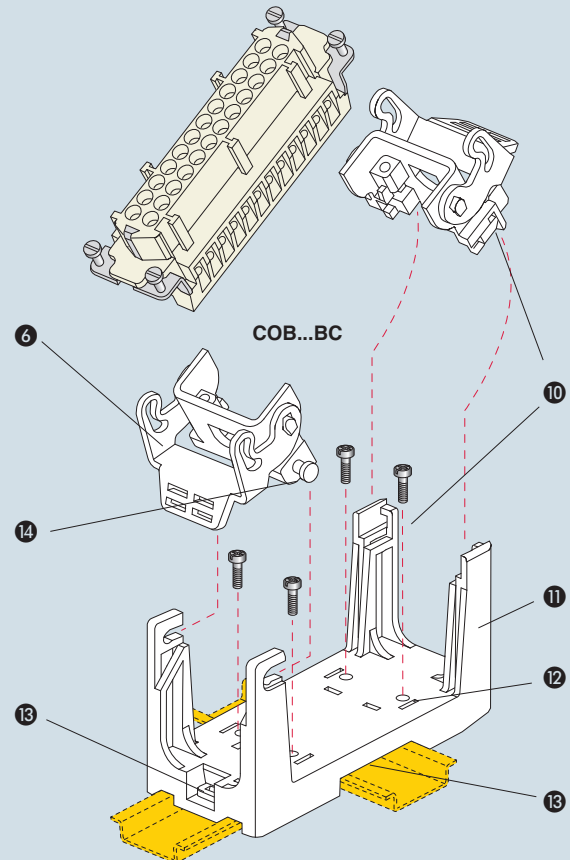
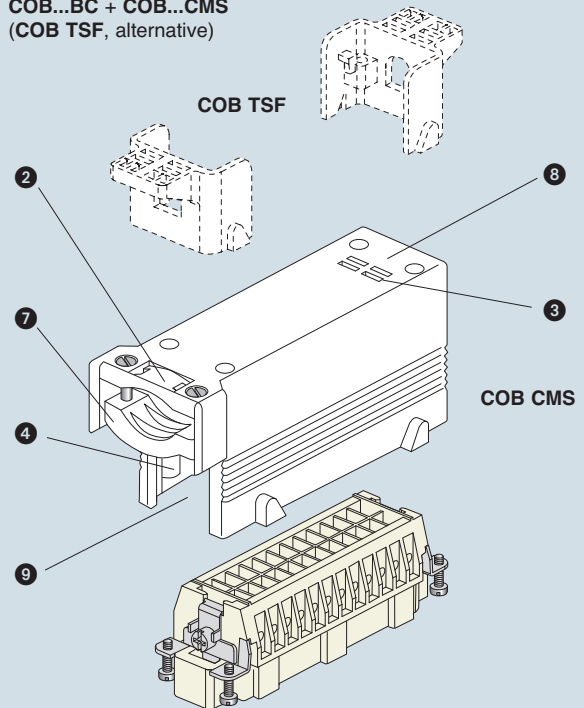


Figure 2:

- snap fastening on DIN EN 60715 rails both lengthways and crossways to the support
- installation in panels or control panels, with fixed fastening with screws

COB panel supports for multipole connectors



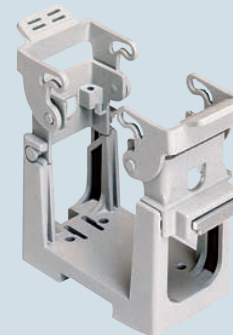
inserts:	page
CD	40, 64 poles + ⊕ 49 and 51
CDD	24, 42, 72, 108 poles + ⊕ 59-64
CQE	10, 18, 32, 46 poles + ⊕ 80-83
CSH	6, 10, 16, 24 poles + ⊕ 88-91
CCE	6, 10, 16, 24 poles + ⊕ 94-100
CNE, CSE	6, 10, 16, 24 poles + ⊕ 95-101
JCNE, JCSE	6, 10, 16, 24 poles + ⊕ 106-109
CSS	6, 10, 16, 24 poles + ⊕ 118-121
CMSE	3+ ² , 6+ ² , 10+ ² poles + ⊕ 135-139
CMCE	3+ ² , 6+ ² , 10+ ² , 16+ ² poles + ⊕ 134-144
CME	3+ ² , 6+ ² , 10+ ² , 16+ ² poles + ⊕ 135-145
CP	6 poles + ⊕ 149
CX	8/24, 6/36, 12/2 poles + ⊕ 151-153
CX	4/0, 4/2, 4/8 poles + ⊕ 154-155
MIXO	2, 3, 4, 6 modules 156-195

insert centre distance:
44 x 27 mm, 57 x 27 mm
77.5 x 27 mm, 104 x 27 mm

connector carrier for faceplate mounting in window*, snap fastening



connector carrier baseplate for mounting on DIN EN 60715 rail or fixed mounting using screws



description

part no.

part no.

kit with 2 elements, for coupling of inserts with screw fixing centre distance (short side = 27 mm)

COB TCQ

kit comprising frame and mobile blocks, for insert coupling:
 - with screw fixing centre distance of 44 x 27 mm
 - with screw fixing centre distance of 57 x 27 mm
 - with screw fixing centre distance of 77.5 x 27 mm
 - with screw fixing centre distance of 104 x 27 mm

COB 06 BC
COB 10 BC
COB 16 BC
COB 24 BC

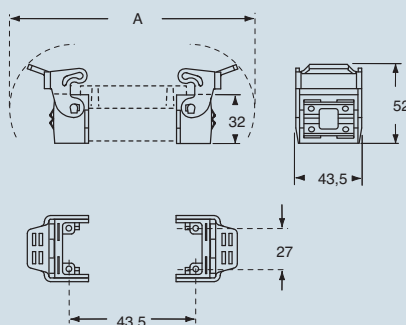
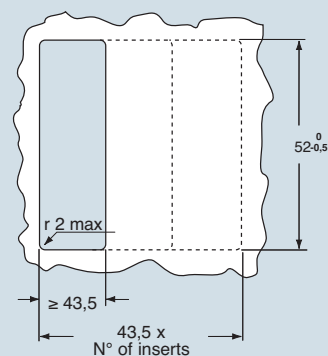
panel cut-out in mm

dimensions in mm

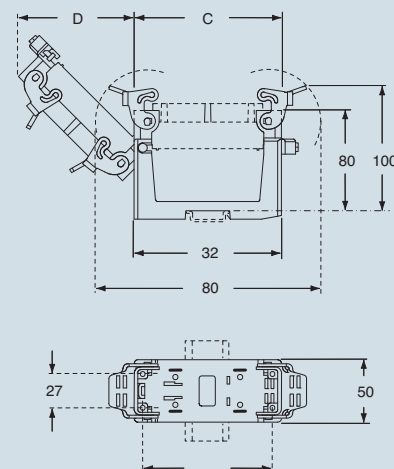
dimensions in mm

COB TCQ

window size on plate thickness 1.3-3 mm



overall dimensions with longitudinal DIN rails

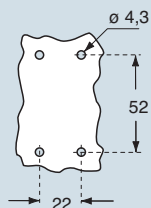


for insert coupling:	X _{-0.5} ⁰
with centre distance 44 x 27 mm	65
with centre distance 57 x 27 mm	78
with centre distance 77.5 x 27 mm	98
with centre distance 104 x 27 mm	125

COB TCQ

for inserts	A	B
with centre distance 44 x 27 mm	120	44
with centre distance 57 x 27 mm	133	57
with centre distance 77.5 x 27 mm	153.5	77.5
with centre distance 104 x 27 mm	180	104

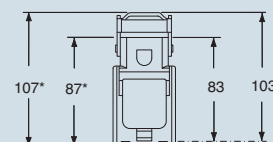
COB...BC



part	A	B	C	D	E
COB 06 BC	120	91.5	58	50	44
COB 10 BC	133	91.5	71	59.5	57
COB 16 BC	153.5	91.5	91.5	74	77.5
COB 24 BC	180	118	118	93	104

It is the responsibility of the installer to verify the continuity of the PE protective earth circuit ⊕ between the two halves of the connector.

overall dimensions without DIN rails (values with "asterisk") overall dimensions with longitudinal DIN rails



dimensions shown are not binding and may be changed without notice