

New generation E2 micro I **Series E2.10 • E2i.10 • E2C.10**



3

The new generation of igus® small E-Chains®: lighter, more stable and easier to open.

Series E2.10 - Snap-open in the outer radius on both sides (Standard).

Series E2i.10 - Snap-open in the inner radius on both sides.

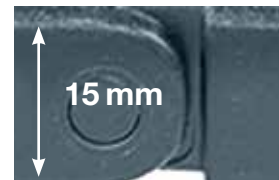
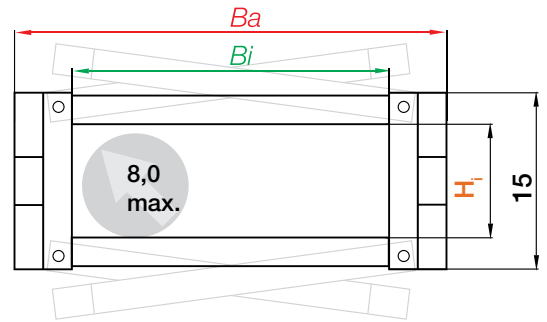
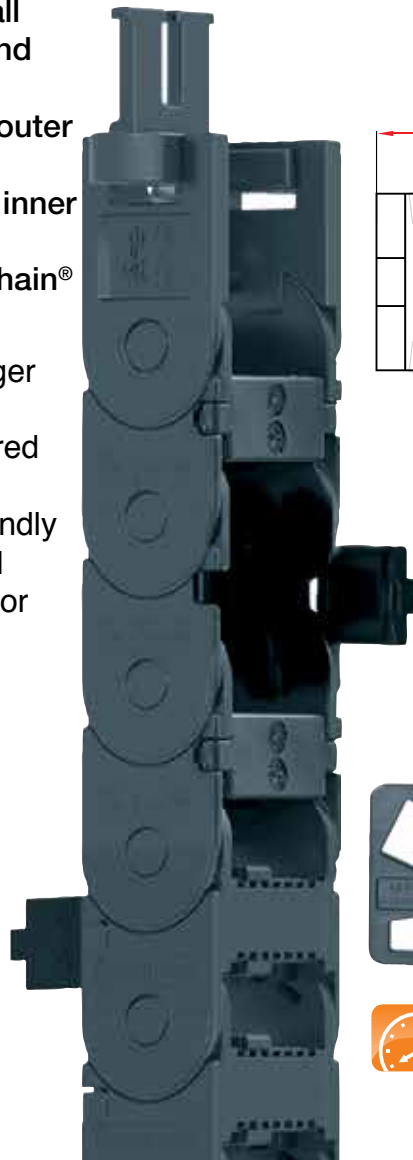
Series E2C.10 - Not to open E-Chain®

- Dual stop dog for up to 70% longer unsupported lengths and 50% heavier additional loads (compared to igus® identical types)
- Very smooth contours, cable friendly
- Mounting bracket with integrated strain relief option, quick flange for front facing assembly optional
- One-piece design, cost-effective
- Integrated “brake” for noise reduction

Interior Separation

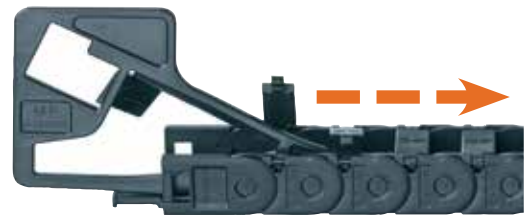


Slotted separator for E-Chains®
 unassembled Part No. E2.10.5
 assembled Part No. E2.10.5.1



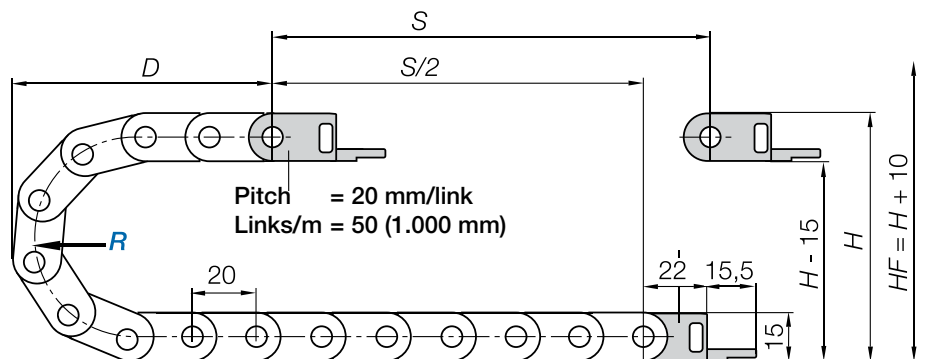
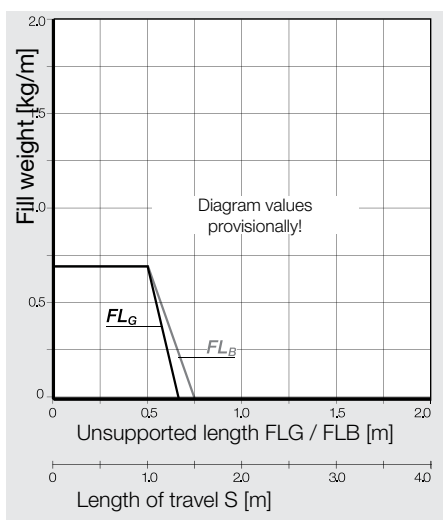
H_i - Inner height:
 E2.10 10.1 mm
 E2i.10 10.1 mm
 E2C.10 10.6 mm

“Original size 1:1
 Outer height 15 mm“



Save installation time with the chain opener (included in delivery)

Installation Dimensions



R	018	028	038
H	51	71	91
D	56	66	76
K	100	130	160

The required clearance height is $H_f = H + 10$ mm (with 0,5 kg/m fill weight).

E2 micro Series E2.10 Inner height: 10.1 - Snap-open on the outer radius

Part No	Bi[mm]	Ba[mm]	R[mm]	Bending Radii			Weight (kg/m)	Pivoting Bracket Set	Locking Bracket Set
E2.10.06. R .0	06	13.4	018	028	038	≈ 0.130	E2.100.06.34PZ	E2.100.06.12PZ	
E2.10.10. R .0	10	17.4	018	028	038	≈ 0.135	E2.100.10.34PZ	E2.100.10.12PZ	
E2.10.16. R .0	16	23.4	018	028	038	≈ 0.156	E2.100.16.34PZ	E2.100.16.12PZ	
E2.10.20. R .0	20	27.4	018	028	038	≈ 0.167	E2.100.20.34PZ	E2.100.20.12PZ	
E2.10.30. R .0	30	37.4	018	028	038	≈ 0.195	E2.100.30.34PZ	E2.100.30.12PZ	
E2.10.40. R .0	40	47.4	018	028	038	≈ 0.219	E2.100.40.34PZ	E2.100.40.12PZ	
E2.10.50. R .0	50	57.4	018	028	038	≈ 0.246	E2.100.50.34PZ	E2.100.50.12PZ	

Supplement Part No. with required radius. Example: E2.10.06.018.0

Serie E2i.10 Inner height: 10.1- Snap-open on the inner radius

Part No	Bi[mm]	Ba[mm]	R[mm]	Bending Radii			Weight (kg/m)	Pivoting Bracket Set	Locking Bracket Set
E2i.10.06. R .0	06	13.4	018	028	038	≈ 0.129	E2.100.06.34PZ	E2.100.06.12PZ	
E2i.10.10. R .0	10	17.4	018	028	038	≈ 0.139	E2.100.10.34PZ	E2.100.10.12PZ	
E2i.10.16. R .0	16	23.4	018	028	038	≈ 0.156	E2.100.16.34PZ	E2.100.16.12PZ	
E2i.10.20. R .0	20	27.4	018	028	038	≈ 0.167	E2.100.20.34PZ	E2.100.20.12PZ	
E2i.10.30. R .0	30	37.4	018	028	038	≈ 0.194	E2.100.30.34PZ	E2.100.30.12PZ	
E2i.10.40. R .0	40	47.4	018	028	038	≈ 0.219	E2.100.40.34PZ	E2.100.40.12PZ	
E2i.10.50. R .0	50	57.4	018	028	038	≈ 0.245	E2.100.50.34PZ	E2.100.50.12PZ	

Supplement Part No. with required radius. Example: E2i.10.06.018.0

Serie E2C.10 Inner height: 10.6 - Non snap open E-Chain®

Part No	Bi[mm]	Ba[mm]	R[mm]	Bending Radii			Weight (kg/m)	Pivoting Bracket Set	Locking Bracket Set
E2C.10.06. R .0	06	13.4	018	028	038	≈ 0.138	E2.100.06.34PZ	E2.100.06.12PZ	
E2C.10.10. R .0	10	17.4	018	028	038	≈ 0.144	E2.100.10.34PZ	E2.100.10.12PZ	
E2C.10.16. R .0	16	23.4	018	028	038	≈ 0.164	E2.100.16.34PZ	E2.100.16.12PZ	
E2C.10.20. R .0	20	27.4	018	028	038	≈ 0.174	E2.100.20.34PZ	E2.100.20.12PZ	
E2C.10.30. R .0	30	37.4	018	028	038	≈ 0.200	E2.100.30.34PZ	E2.100.30.12PZ	
E2C.10.40. R .0	40	47.4	018	028	038	≈ 0.225	E2.100.40.34PZ	E2.100.40.12PZ	
E2C.10.50. R .0	50	57.4	018	028	038	≈ 0.251	E2.100.50.34PZ	E2.100.50.12PZ	

Supplement Part No. with required radius. Example: E2C.10.06.018.0

 Supplement Part No. with required radius. Example: E2.10.06.018.0

 Mounting Brackets - Polymer, one-piece | **Pivoting or Locking**
Pivoting recommended for gliding and unsupported applications.

Locking recommended for vertical applications.
