



- Hollow rail for supply lines (compressed air, cable)
- Small space requirement
- A host of possible applications

Single components



Adapter for flange shaft block

Part No.
STZ-Q10-AR-1012-16



Adapter kit e.g. for grippers/sensors

Part No.
STZ-Q10-01-AM



Plastic shaft end supports

Part No.
STZ-Q10-01-FL
STZ-Q10-01-LL



Chain connection for e-chain® E2 micro

Part No.
STZ-Q10-01-AC-E2



End caps for square-section rail

Part No.
STZ-Q10-01-C
STZ-Q20-01-C



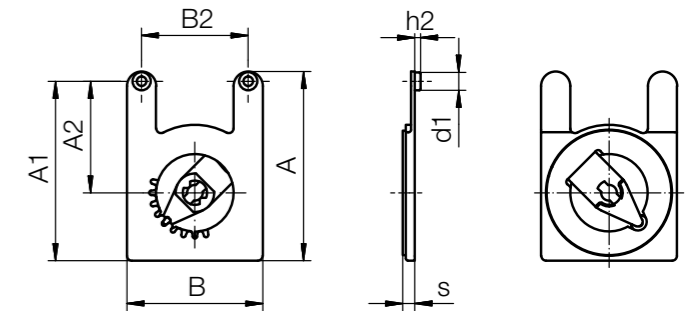
- Clearance-reduced guidance of the lifting columns by adjustment mechanism
- Low-cost due to injection moulding
- Lightweight solid plastic solution
- Lubrication-free, wear-resistant, maintenance-free due to dry-tech® polymer iglidur® J
- Corrosion-free

Order key

Type Option Size

ASD J - 28 - 025

Type	iglidur® J	Width B	Installation size
------	------------	---------	-------------------



Dimensions [mm]

Part No.	Weight [g]	s		A	B	A1	A2	B2 ±0.15	d1 -0.1	h2 ±0.1
		Min.	Max.							
ASDJ-28-025 New	1.9	2.2	2.8	39	28	37	23	22	3.7	1.2



Adjustment key Part No.
ASDZ-012817

