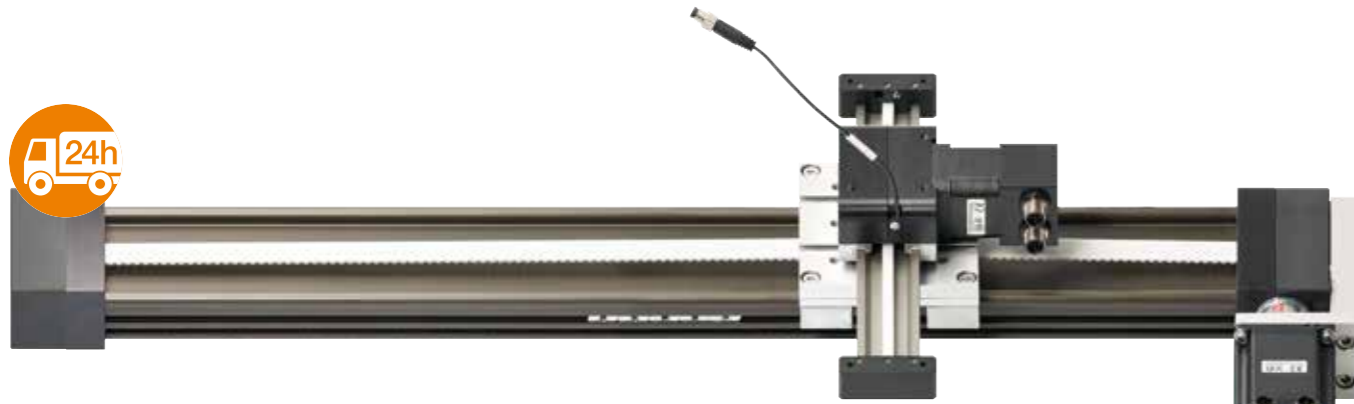



Line robot – for vertical working planes

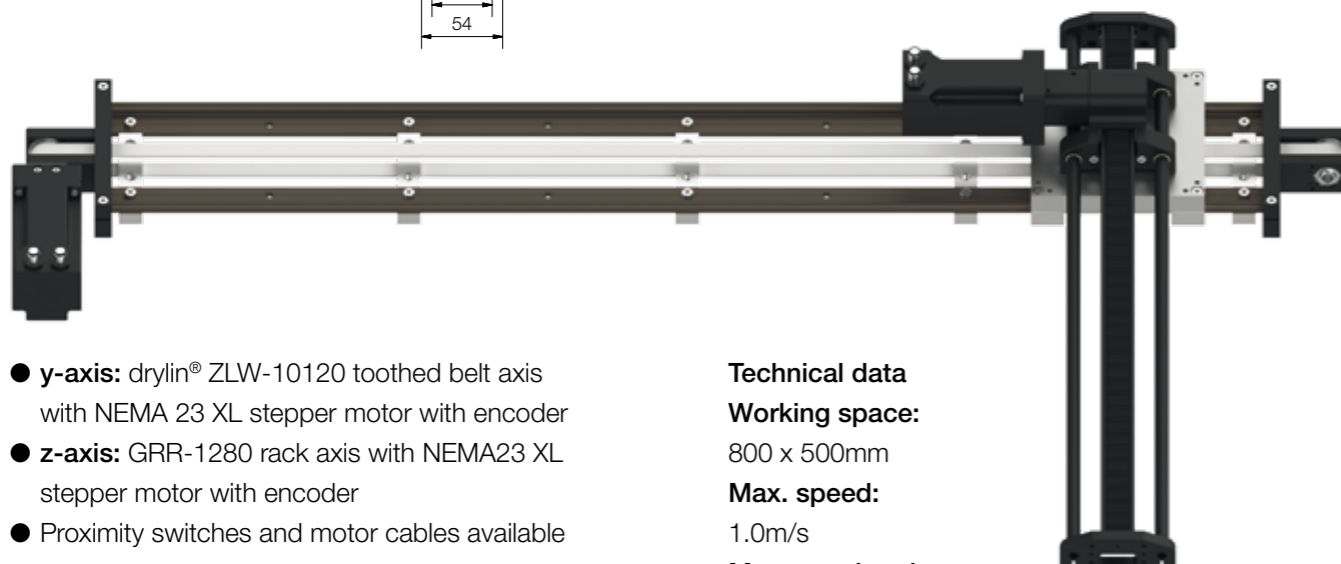
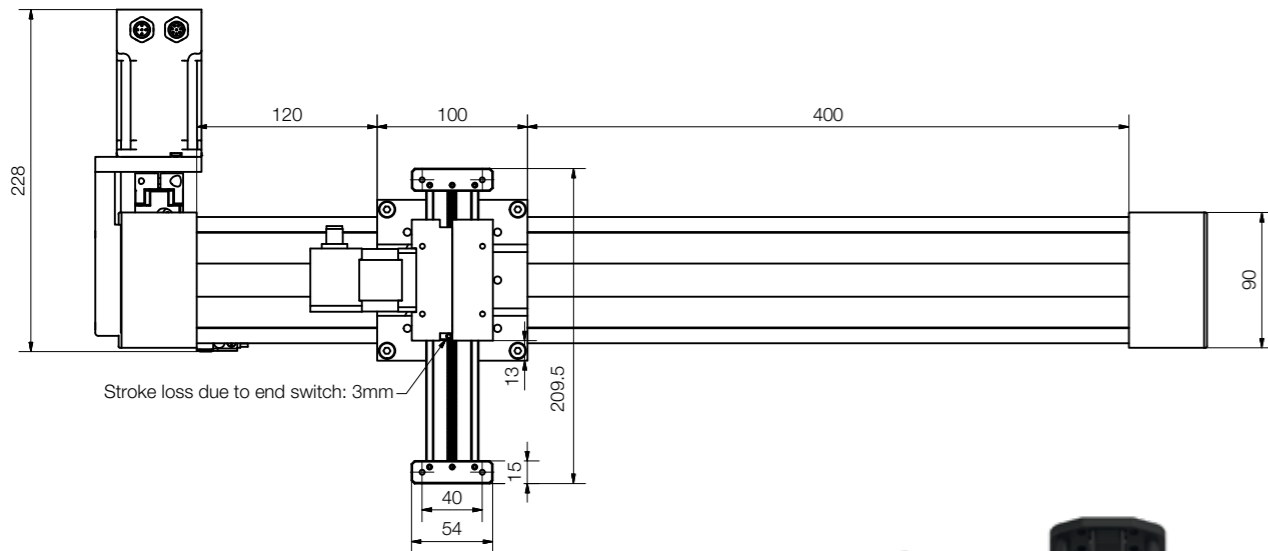


- **x-axis:** drylin® GRW-0630 rack and pinion drive with NEMA17 stepper motor with encoder
- **y-axis:** drylin® ZLW-1080 toothed belt axis with NEMA23 stepper motor with encoder
- Proximity switches available

**Technical data**

<b>Workspace:</b>	500 x 100mm
<b>Max. speed:</b>	1.0m/s
<b>Max. acceleration:</b>	3.0m/s <sup>2</sup>
<b>Repeatability:</b>	0.2mm
<b>Load capacity:</b>	25N

 **Part No.**  
DLE-LG-0001



- **y-axis:** drylin® ZLW-10120 toothed belt axis with NEMA 23 XL stepper motor with encoder
- **z-axis:** GRR-1280 rack axis with NEMA23 XL stepper motor with encoder
- Proximity switches and motor cables available

**Technical data**

<b>Working space:</b>	800 x 500mm
<b>Max. speed:</b>	1.0m/s
<b>Max. acceleration:</b>	2.0m/s <sup>2</sup>
<b>Repeatability:</b>	0.3mm
<b>Load capacity:</b>	50N

 **Part No.**  
DLE-LG-0002

Flat linear robot – for predefined surfaces

**DLE-FG-0001**

- **x-axis:** drylin® ZLW-0630 toothed belt axis with NEMA17 stepper motor with encoder
- **y-axis:** drylin® ZLW-0630 toothed belt axis with NEMA17 stepper motor with encoder
- Proximity switches available

**Technical data**

<b>Workspace:</b>	300 x 300mm
<b>Max. speed:</b>	1.5m/s
<b>Max. acceleration:</b>	10m/s <sup>2</sup>
<b>Repeatability:</b>	0.3mm
<b>Load capacity:</b>	80N

**DLE-FG-0002**

- **x-axis:** drylin® ZLW-0630 toothed belt axis with NEMA17 stepper motor with stranded wire
- **y-axis:** drylin® ZLW-0630 toothed belt axis with NEMA17 stepper motor with stranded wire
- Proximity switches available

**Technical data**

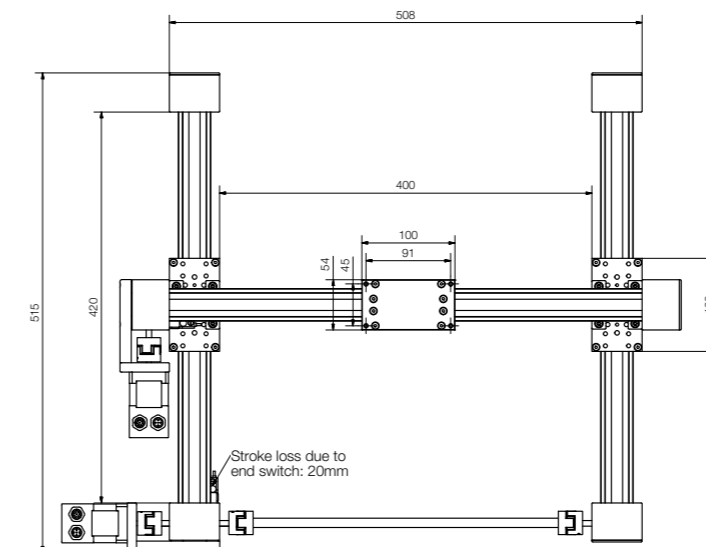
<b>Workspace:</b>	300 x 300mm
<b>Max. speed:</b>	1.5m/s
<b>Max. acceleration:</b>	10m/s <sup>2</sup>
<b>Repeatability:</b>	0.3mm
<b>Load capacity:</b>	80N


**DLE-FG-0003**

- **x-axis:** drylin® ZLW-1040 econ toothed belt axis with NEMA23 stepper motor with stranded wire
- **y-axis:** drylin® ZLW-1040 econ toothed belt axis with NEMA17 stepper motor
- Proximity switches available

**Technical data**

<b>Workspace:</b>	500 x 500mm
<b>Max. speed:</b>	0.5m/s
<b>Max. acceleration:</b>	1m/s <sup>2</sup>
<b>Repeatability:</b>	1mm
<b>Load capacity:</b>	10N



 **Part No.**  
DLE-FG-0001 version with encoder  
DLE-FG-0002 version with stranded wires  
DLE-FG-0003 econ version  
► Page 1462