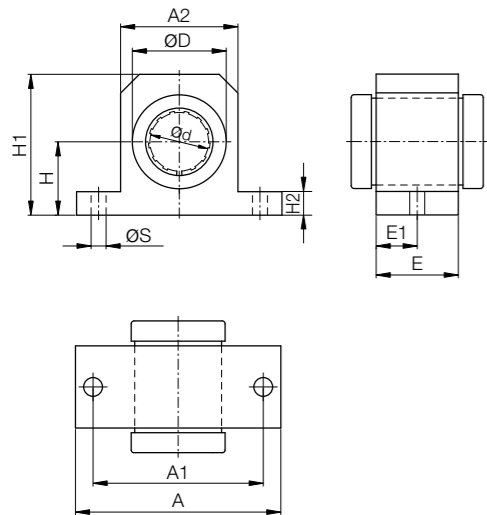




- Housing: Aluminium, equipped with drylin® R linear plain bearings
- Variations:
  - Standard: RGAS-01-Ø
  - Self-aligning: RGAS-03-Ø
  - Solid plastic bearing (cost-effective, lightweight): RGAS-04-Ø



### Dimensions [mm]

d	D	H	H1	H2	A	A1	A2	E	E1	S	Part No. Standard with RJUM-01	Self-aligning with RJUM-03	Solid plastic bearings with RJM-01
12	22	18	35.0	6	52	42	30	20	10	5.3	RGAS-01-12	RGAS-03-12	RGAS-04-12
16	26	22	40.5	7	56	46	34	22	11	5.3	RGAS-01-16	RGAS-03-16	RGAS-04-16
20	32	25	48.0	8	70	58	40	28	14	6.4	RGAS-01-20	RGAS-03-20	RGAS-04-20
25	40	30	58.0	10	80	68	50	40	20	6.4	RGAS-01-25	RGAS-03-25	RGAS-04-25
30	47	35	67.0	10	88	76	58	48	24	6.4	RGAS-01-30	RGAS-03-30	RGAS-04-30
40	62	45	85.0	12	108	94	74	56	28	8.4	RGAS-01-40	RGAS-03-40	RGAS-04-40

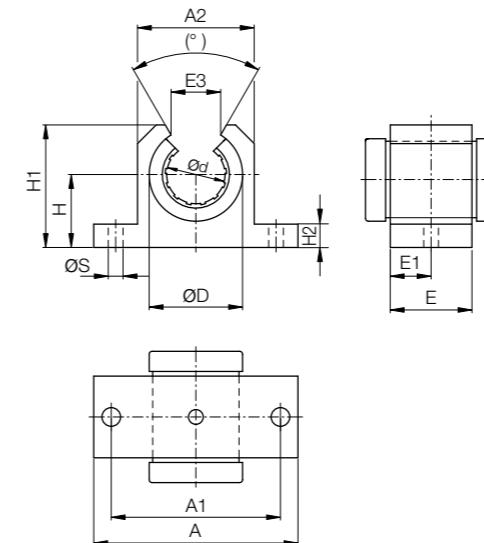
Are equipped with:



Available with drylin® liners (optional: J200/A180):



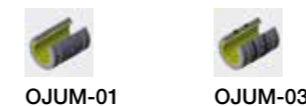
- Housing: Aluminium, equipped with drylin® R linear plain bearings
- Variations:
  - Standard: OGAS-01-Ø
  - Self-aligning: OGAS-03-Ø



### Dimensions [mm]

d	D	H	H1	H2	A	A1	A2	E	E1	E3	(°)	S	Part No. Standard with OJUM-01	Self-aligning with OJUM-03
12	22	18	28	6	52	42	30	20	10	14	78	5.3	OGAS-01-12	OGAS-03-12
16	26	22	33.5	7	56	46	34	22	11	17	78	5.3	OGAS-01-16	OGAS-03-16
20	32	25	42	8	70	58	40	28	14	17	60	6.4	OGAS-01-20	OGAS-03-20
25	40	30	51	10	80	68	50	40	20	21	60	6.4	OGAS-01-25	OGAS-03-25
30	47	35	60	10	88	76	58	48	24	21	54	6.4	OGAS-01-30	OGAS-03-30
40	62	45	77	12	108	94	74	56	28	27	54	8.4	OGAS-01-40	OGAS-03-40

Are equipped with:



Available with drylin® liners (optional: J200/A180):



### Order key

Type	Option	Size
Linear housing with RJUM bearing	Aluminium housing	Small
Standard with RJUM-01		Inner Ø

- Options:
- 01: Standard with RJUM-01
  - 03: with RJUM-03
  - 04: with RJM-01

**i** Please note:  
Installation instructions  
► Page 1079

### Order key

Type	Option	Size
Linear housing with OJUM bearing	Aluminium housing	Small
Standard with OJUM-01		Inner Ø

- Options:
- 01: Standard with OJUM-01
  - 03: with OJUM-03

**i** Please note:  
Installation instructions  
► Page 1079