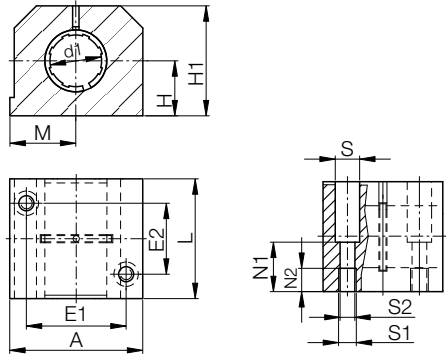


drylin® R pillow blocks | Product range

Closed, anodised aluminium housing, long design



Order key

Type	Size
R J U M-06-12	
Closed	
iglidur® J	
Liner	
Metric	
Long design	
Inner Ø d1	

i ⁷⁸⁾ According to igus® testing method ▶ Page 1146
⁸²⁾ Design tips ▶ Page 1078
 Please note: Installation instructions ▶ Page 1079

Dimensions [mm]

d1	H	H1	A	M	E1	E2	S	S1	S2	N1	N2	L	Part No.
	+0.01 -0.014			±0.02	±0.15	±0.15							
12	18	35	43	21.5	32	23	8.0	M5	4.3	16.5	11	39	RJUM-06-12
16	22	42	53	26.5	40	26	10.0	M6	5.3	21.0	13	43	RJUM-06-16
20	25	50	60	30.0	45	32	11.0	M8	6.6	24.0	18	54	RJUM-06-20
25	30	60	78	39.0	60	40	15.0	M10	8.4	29.0	22	67	RJUM-06-25
30	35	70	87	43.5	68	45	15.0	M10	8.4	34.0	22	79	RJUM-06-30
40	45	90	108	54.0	86	58	18.0	M12	10.5	44.0	26	91	RJUM-06-40
50	50	105	132	66.0	108	50	20.0	M16	13.5	49.0	34	113	RJUM-06-50

Technical data

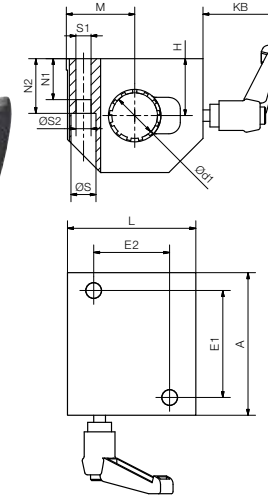
Part No.	d1 tolerance ⁷⁸⁾ [mm]	Fmax. dynamic ⁸²⁾	Fmax. static ⁸²⁾	Weight [g]
		p = 5MPa [N]	p = 35MPa [N]	
RJUM-06-12	+0.030 +0.088	960	6,720	121
RJUM-06-16	+0.030 +0.088	1,440	10,080	211
RJUM-06-20	+0.030 +0.091	2,250	15,750	323
RJUM-06-25	+0.030 +0.091	3,625	25,375	651
RJUM-06-30	+0.040 +0.110	5,100	35,700	1,050
RJUM-06-40	+0.040 +0.115	8,000	56,000	1,820
RJUM-06-50	+0.050 +0.150	12,500	87,500	3,250

Available with drylin® liners (optional: J200/A180):



drylin® R pillow blocks | Product range

Closed, anodised aluminium housing, long design
with manual clamp



Order key

Type	Size	Options
R J U M-06-12-HK		
Closed		
iglidur® J		
Liner		
Metric		
Long design		
Inner Ø d1		
Manual clamp		

i ⁷⁸⁾ According to igus® testing method ▶ Page 1146
⁸²⁾ Design tips ▶ Page 1078
 Please note: Installation instructions ▶ Page 1079

Dimensions [mm]

d1	H	H1	A	M	E1	E2	S	S1	S2	N1	N2	W	L	KL	KB	Part No.
	+0.01; -0.014			±0.02	±0.15	±0.15							-1			
12	18	35	43	21.5	32	23	8	M5	4.3	16.5	11	10.2	39	40	33	RJUM-06-12-HK
16	22	42	53	26.5	40	26	10	M6	5.3	21	13	11.6	43	40	33	RJUM-06-16-HK
20	25	50	60	30	45	32	11	M8	6.6	24	18	12	54	40	33	RJUM-06-20-HK
25	30	60	78	39	60	40	15	M10	8.4	29	22	14.5	67	65	46	RJUM-06-25-HK
30	35	70	87	43.5	68	45	15	M10	8.4	34	22	16.6	79	65	46	RJUM-06-30-HK
40	45	90	108	54	86	58	18	M12	10.5	44	26	21	91	65	46	RJUM-06-40-HK
50	50	105	132	66	108	50	20	M16	13.5	49	34	25.5	113	65	46	RJUM-06-50-HK

Technical data

Part No.	d1 tolerance ⁷⁸⁾	Fmax. dynamic ⁸²⁾	Fmax. static ⁸²⁾	Clamp force	Weight [g]
		p = 5MPa 0° [N]	p = 35MPa 0° [N]	axial [N]	
RJUM-06-12-HK	+0.030 +0.088	960	6720	400	0.098
RJUM-06-16-HK	+0.030 +0.088	1440	10080	400	0.164
RJUM-06-20-HK	+0.030 +0.091	2250	15750	400	0.275
RJUM-06-25-HK	+0.030 +0.091	3625	25375	1,000	0.544
RJUM-06-30-HK	+0.040 +0.110	5100	35700	1,000	0.832
RJUM-06-40-HK	+0.040 +0.115	8000	56000	1,000	1.513
RJUM-06-50-HK	+0.050 +0.150	12500	87500	1,000	2.568

Available with drylin® liners (optional: J200/A180):

