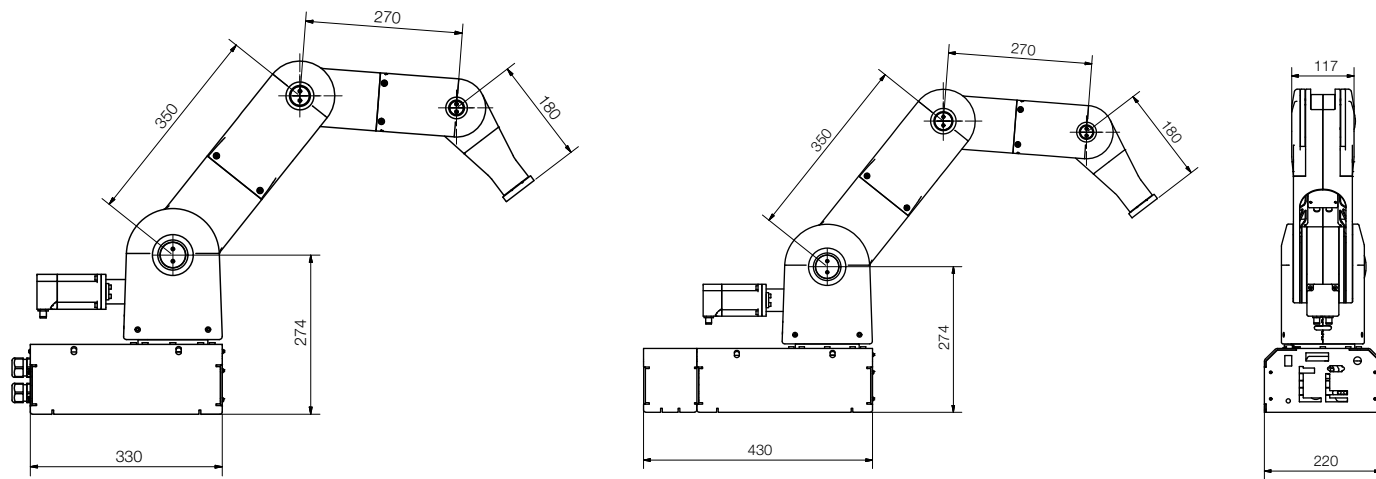


- Payload up to 30N
- Cycle times > 6s
- Reach up to 790mm
- Also available as DPI version with integrated control system
- With motor encoders upon request
- Version with drive encoders possible
- Available as 4 DOF or 5 DOF¹⁶⁸⁾
- Optimised bearing of the single axes for low backlash



Technical data

		Small option		Large option	
		4 DOF ¹⁶⁸⁾	5 DOF ¹⁶⁸⁾	4 DOF ¹⁶⁸⁾	5 DOF ¹⁶⁸⁾
		RL-DC	RL-DC	RL-DP	RL-DP
Operating voltage	[VDC]	24	24	24	24
Nominal power (at full load)	[W]	120	120	120	120
Weight (without power supply unit, ext. display)	[kg]	11	12	22	23
Precision (WDH precision)	[mm]	±0.5	±0.5	±0.5	±0.5
Max. speed (TCP)	[mm/s]	100	100	100	100

For more information, see the technical data sheet

- ▶ www.igus-asean.com/DC
- ▶ www.igus-asean.com/DP

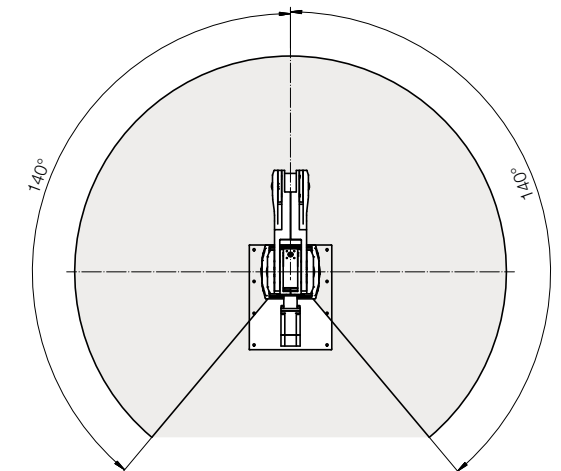
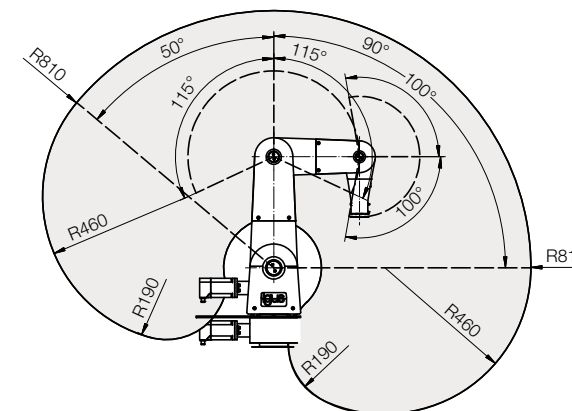
¹⁶⁸⁾ DOF: degree of freedom

- Integrated gearbox
- High degrees of precision and high loads
- Faster
- Internal cables
- Lightweight
- More configuration options online
- ▶ www.igus-asean.com/DP



Small option

Large option



Small option – 4DOF¹⁶⁸⁾ or 5 DOF¹⁶⁸⁾

	4 DOF ¹⁶⁸⁾	5 DOF ¹⁶⁸⁾
Part No.	RL-D-RBT-3322-BF	RL-D-RBT-3322S-BF
Reach	510mm	680mm
Load capacity	10 N	5 N

Large option – 4DOF¹⁶⁸⁾ or 5 DOF¹⁶⁸⁾

	4 DOF ¹⁶⁸⁾	5 DOF ¹⁶⁸⁾
Part No.	RL-DP-RBT-5532	RL-DP-RBT-5532S
Reach	620mm	790mm
Load capacity	30 N	30 N

All with integrated control system

Small option	4 DOF ¹⁶⁸⁾	5 DOF ¹⁶⁸⁾
Part No.	RL-DCi-4S-M-B	RL-DCi-5S-M-B
Large option	4 DOF ¹⁶⁸⁾	5 DOF ¹⁶⁸⁾
Part No.	RL-DPI-RBT-5532	RL-DPI-RBT-5532S
With top hat (DIN) rail	RL-DP-4-0002-00-0	RL-DP-5-0002-00-0
With control cabinet	RL-DP-4-0004-00-0	RL-DP-5-0004-00-0

¹⁶⁸⁾ DOF: degree of freedom