

Self-locking



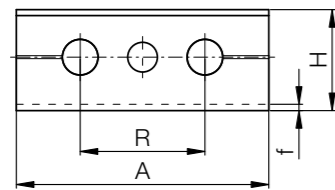
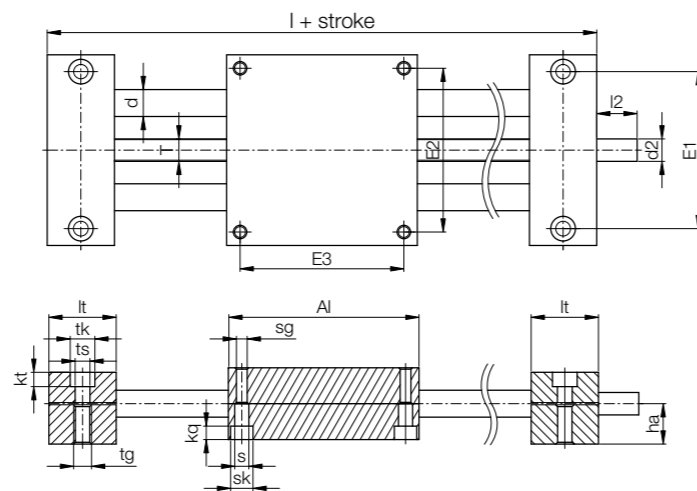
- Solid design
- Various materials for shaft and lead screw
- Maintenance-free and optionally corrosion-resistant
- Tr6x2, Tr10x2, Tr18x4, Tr24x5
- Temperature-resistant up to +60°C
- Available accessories
▶ **Page 1503**
- Lead screw nuts are available separately ▶ **Page 1330**
- **Available with motor**

Order key

Order example

SHT-12-AWM

Standard	Installation size	Shaft material
----------	-------------------	----------------



Configure online
▶ www.igus-asean.com/drylin-sht-configurator

Technical data

Part No.	Max. stroke length [mm]	Aluminium shaft		Steel shaft		Max. static load capacity	
		Weight	Additional (per 100mm)	Weight	Additional (per 100mm)	axial	radial
		[kg]	[kg]	[kg]	[kg]	[N]	[N]
SHT-08-AWM	300	0.24	0.05	0.27	0.1	100	360
SHT-12-AWM	750	1.1	0.1	1.3	0.2	700	2,800
SHT-20-AWM	1,000	3.2	0.3	3.9	0.6	1,600	6,400
SHT-30-AWM	1,250	8.6	0.6	10.9	1.4	2,500	10,000

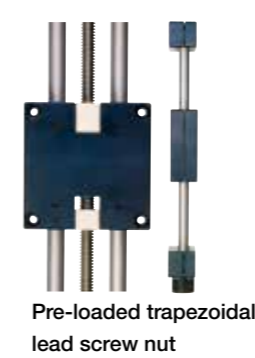
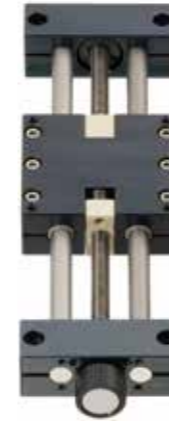
Dimensions [mm]

Part No.	A	Al	H	E1	E2	E3	I	R	f	lt	tk	ts
	-0.3	-0.3		±0.15	±0.15	±0.15						
SHT-08-AWM	65	65	23	52	55	55	96	32	1.5	15.5	10	5.5
SHT-12-AWM	85	85	34	70	73	73	145	42	2	30	11	6.6
SHT-20-AWM	130	130	48	108	115	115	202	72	2	36	15	9.0
SHT-30-AWM	180	180	68	150	158	158	280	96	4	50	20	13.5

Part No.	tg	kt	s	sk	sg	kq	d	T	l2	d2	ha
	±0.1	±0.1								Standard	
SHT-08-AWM	M6	7	4.2	8	M5	4.6	8	Tr6x2	17	Tr6x2	13
SHT-12-AWM	M8	6.4	5.3	10	M6	6.0	12	Tr10x2 ¹⁵⁷⁾	17	Tr10x2 ^{92) 157)}	18
SHT-20-AWM	M10	8.6	6.4	11	M8	7.0	20	Tr18x4	26	12h9	23
SHT-30-AWM	M16	12.6	11.0	18	M12	10.6	30	Tr24x5	38	14h9	36

⁹²⁾ Lead screw end unmachined; ¹⁵⁷⁾ Also available with with Tr10x3

Axial pre-load, radial adjustment



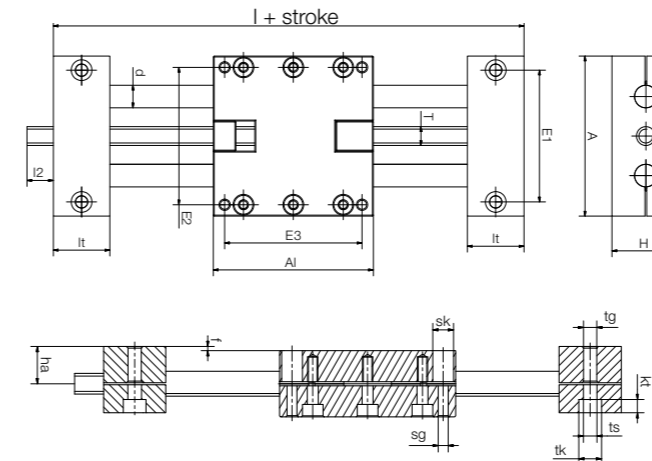
Pre-loaded trapezoidal lead screw nut

Order key

Order example

SHT-12-AWM-PL

Standard	Installation size	Shaft material	Clearance-free, pre-loaded
----------	-------------------	----------------	----------------------------



- Pre-loaded trapezoidal lead screw nuts, pre-load force: 50N
- Manually and continuously adjustable radial clearance
- Lightweight due to aluminium and plastic
- Lead screw end unmachined
- Temperature-resistant up to +60°C
- Available accessories ▶ **Page 1503**
- Lead screw nuts are available separately ▶ **Page 1330**
- **Available with motor**

Configure online
▶ www.igus-asean.com/drylin-sht-configurator

Technical data

Part No.	Max. stroke length [mm]	Aluminium shaft		Steel shaft		Max. static load capacity	
		Weight	Additional (per 100mm)	Weight	Additional (per 100mm)	axial	radial
		[kg]	[kg]	[kg]	[kg]	[N]	[N]
SHT-12-AWM-PL	750	1.1	0.1	1.3	0.2	700	2,800
SHT-20-AWM-PL	1,000	3.2	0.3	3.9	0.6	1,600	6,400
SHT-30-AWM-PL	1,250	8.6	0.6	10.9	1.4	2,500	10,000

Dimensions [mm]

Part No.	A	Al	H	E1	E2	E3	I	R	f	lt	tk	ts
	-0.3	-0.3		±0.15	±0.15	±0.15						
SHT-12-AWM-PL	85	85	34	70	73	73	145	42	2	30	11	6.6
SHT-20-AWM-PL	130	130	48	108	115	115	202	72	2	36	15	9.0
SHT-30-AWM-PL	180	180	68	150	158	158	280	96	4	50	20	13.5

Part No.	tg	kt	sk	sg	d	T	l2	d2	ha
		±0.1						Standard	
SHT-12-AWM-PL	M8	6.4	10	M6	12	Tr10x2 ¹⁵⁷⁾	17	Tr10x2 ^{92) 157)}	18
SHT-20-AWM-PL	M10	8.6	11	M8	20	Tr18x4	26	12h9	23
SHT-30-AWM-PL	M16	12.6	18	M12	30	Tr24x5	38	14h9	36

⁹²⁾ Lead screw end unmachined; ¹⁵⁷⁾ Also available with with Tr10x3