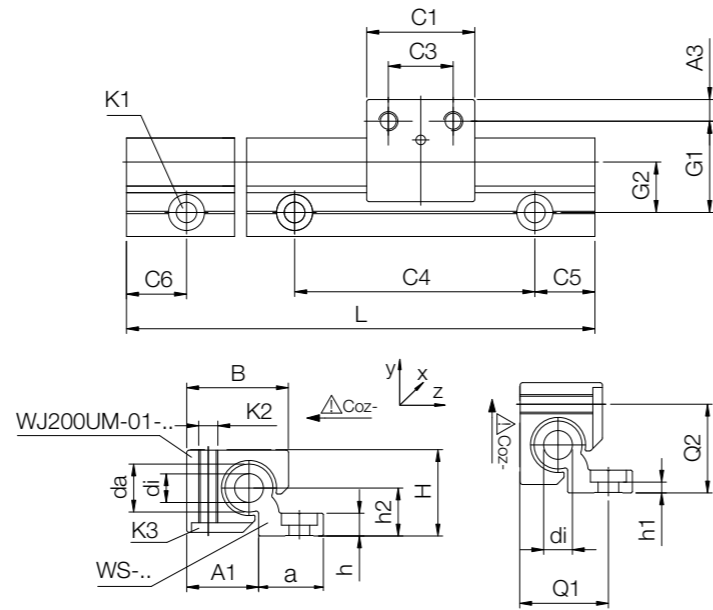




WS-10 WS-16



WS-20 WS-25



This assembled position not possible for WS-10

i Hard-anodised surfaces
▶ Page 958

i Curved rail profiles
▶ Page 962

i Stainless steel version available
▶ Page 1210

Technical data and dimensions [mm]

Part No.	Weight [kg/m]	H ⁵⁷⁾ ±0.25	da -0.1	di	L Max.	a	h	h1	h2	G1	G2	A1	Q1	Q2
WS-10	0.62	18	10	-	4,000	27	5.5	5.5 ⁵⁸⁾	9	27	17	16.5	-	-
WS-16	0.98	27	16	8.0	4,000	27	7.5	3.5	14	33	19	25	32	28
WS-20	1.32	36	20	10.2	4,000	27	9.5	4.5	20	38	21	30	37	37
WS-25	2.03	45	25	14	4,000	32	11.5	5.5	25	46.5	25.5	37.5	45.5	46

Part No.	C1	C3	C4	C5 Min.	C5 Max.	C6 Min.	C6 Max.	A3	K1 for screw DIN 912	Geometrical moment of inertia		Moment of resistance	
										ly [mm ⁴]	lz [mm ⁴]	Wby [mm ³]	Wbz [mm ³]
WS-10	29	16	120	20	79.5	20	79.5	6.5	M6 ⁵⁸⁾	19,000	2,850	1,000	310
WS-16	36	18	120	20	79.5	20	79.5	9	M8	36,000	12,900	1,800	940
WS-20	45	27	120	20	79.5	20	79.5	9	M8	57,100	35,000	2,700	1,900
WS-25	58	36	150	25	99.5	25	99.5	11	M10	129,000	86,000	4,900	3,800

Standard hole pattern: C5 = C6, please order with drawing for C5 ≠ C6

⁵⁷⁾ Height dimension minus the bearing clearance tolerance

⁵⁸⁾ Plain holes

Can be combined with:



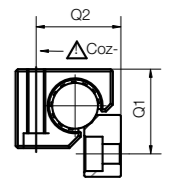
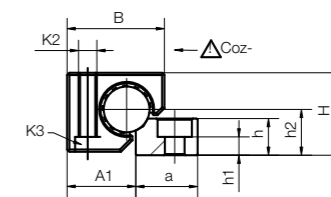
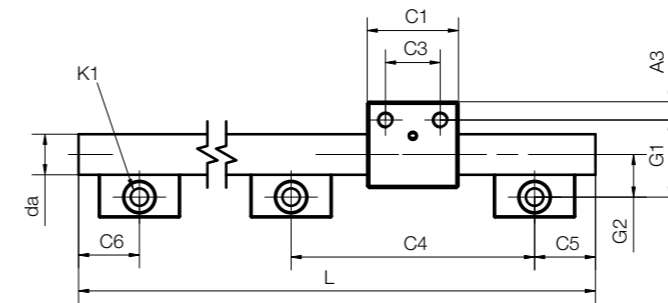
i Order key – single rail

Type	Material
------	----------

WS-10-ES-FG

Guide rail	Shafts Ø	Stainless steel	Precision casting
------------	----------	-----------------	-------------------

i Housing and shaft support material: AISI 316
Shaft material: AISI 316Ti
Installation size 25
Shaft, shaft support and housing material: AISI 316Ti



This assembled position is not possible for WS-10

Technical data and dimensions [mm]

Part No.	Weight [kg/m]	H ⁵⁷⁾ ±0.25	da -0.1	L Max.	a -0.3	h	h1	h2	G1	G2	A1	Q1	Q2
WS-10-ES-FG	0.87	18	10	3,000	27	5.5	5.5 ⁵⁸⁾	9	27	17	16.5	-	-
WS-16-ES-FG	2.22	27	16	3,000	27	12.0	4.5	14	33	19	25	32	28
WS-20-ES-FG	3.37	36	20	3,000	27	16.0	8.0	20	38	21	30	37	37
WS-25-ES-FG	5.21	45	25	3,000	32	20.0	9.0	25	46.5	25.5	37.5	45.5	46

Part No.	C1	C3	C4	C5 Min.	C5 Max.	C6 Min.	C6 Max.	A3	K1 for screw DIN 912	Geometrical moment of inertia		Moment of resistance	
										ly [mm ⁴]	lz [mm ⁴]	Wby [mm ³]	Wbz [mm ³]
WS-10-ES-FG	29	16	120	20	79.5	20	79.5	6.5	M6 ⁵⁸⁾	491	491	98	98
WS-16-ES-FG	36	18	120	20	79.5	20	79.5	9.0	M8	3,217	3,217	402	402
WS-20-ES-FG	45	27	120	20	79.5	20	79.5	9.0	M8	7,854	7,854	785	785
WS-25-ES-FG	58	36	150	25	99.5	25	99.5	11.0	M10	19,175	19,175	1,534	1,534

⁵⁷⁾ Height dimension minus the bearing clearance tolerance

⁵⁸⁾ Plain holes

Can be combined with:



Suitable liner material:

