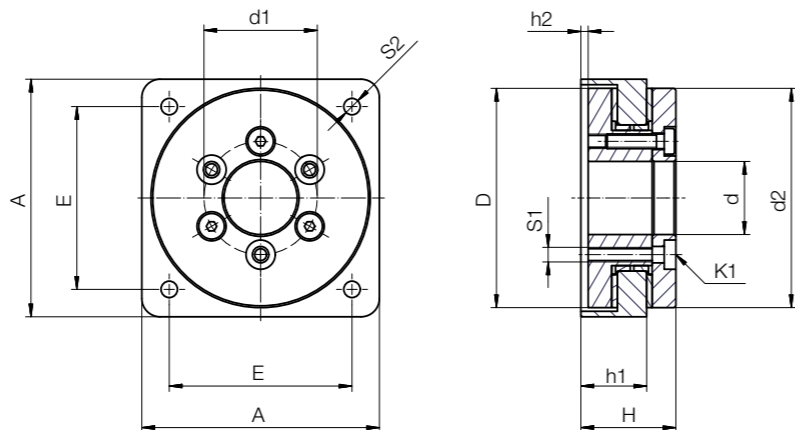
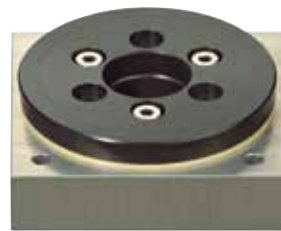


Type 01

Slewing rings with square flange for direct mounting on flat surfaces

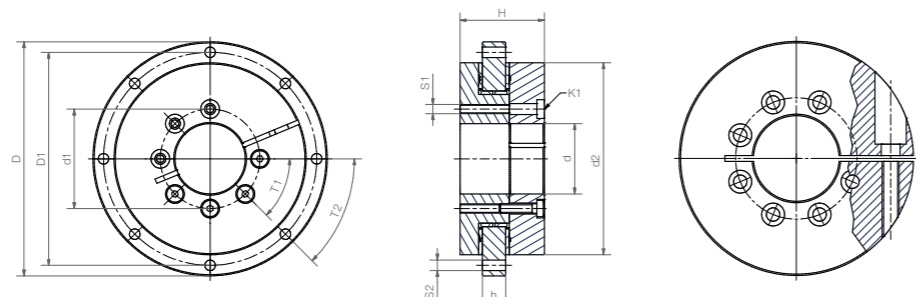


- No through-hole necessary
- No separate spacing ring
- Fix with only 4 screws

Dimensions [mm]

d	d1	d2	D	A	E	H	h1	h2	T1	S1	S2	K1 for screw	Part No.
20	31.0	60	62	65	50	26.0	18	2.0	6 x 60°	M4	4.5	DIN 7984 M4	PRT-01-20-SQ
30	42.5	82	84	85	65	30.5	21	1.5	8 x 45°	M4	4.5	DIN 7984 M4	PRT-01-30-SQ
50	65.0	120	122	125	100	34.5	23	1.5	8 x 45°	M6	6.6	ISO 4762 M6	PRT-01-50-SQ

Slewing rings with collar clamp



Slewing ring with PRT-01-30-C collar clamp

Collar clamp for PRT-01-30-C

Slewing ring PRT-01-30 with collar clamp for 30h7 tolerance shafts.

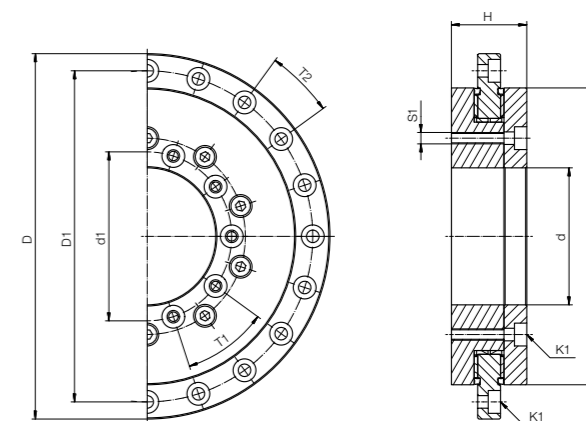
- For simple handling designs
- Quick and easy assembly
- Max. tightening torque: 5Nm

Dimensions [mm]

D	D1	d1	d	d2	H	h	T1	T2	S1	S2	K1 for screw	Part No.
80	70	31	20	60	33	8	4 x 60°	6 x 60°	M4	4.5	DIN 7984 M4	PRT-01-20-C New
100	91	42.5	30	82	36	10	6 x 45°	8 x 45°	M4	4.5	DIN 7984 M4	PRT-01-30-C

Type 01

Slewing rings with seal (-D: one-sided, -DD: both-sided)

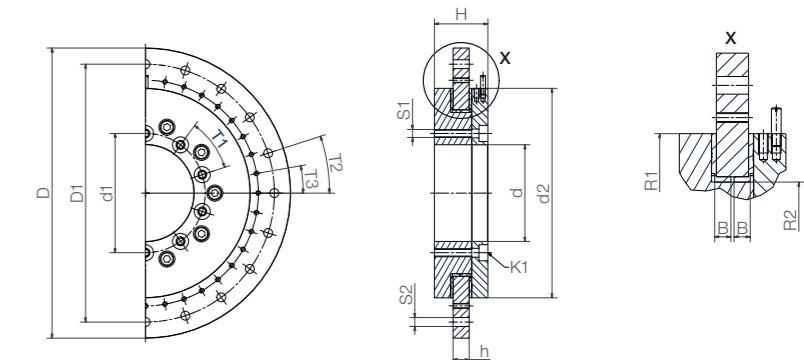
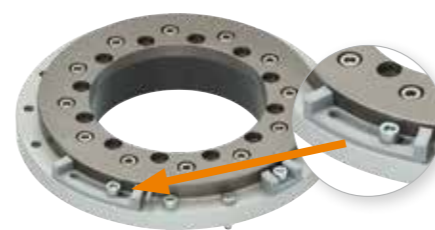


Dimensions [mm]

D ¹⁰⁾	D1	d1	d	d2	H	h	T1	T2	S1	S2	K1 for screw	R1	R2	B	Part No.
160	145	74	60	130	33	10	10 x 36°	20 x 18°	M5	5.5	ISO 4762 M5	65	51.5	4.5	PRT-01-60-D/DD
185	170	112	100	160	34	12	12 x 30°	16 x 22.5°	M5	5.5	ISO 4762 M5	80	69	5.5	PRT-01-100-D/DD

¹⁰⁾ Tolerance according to DIN ISO 2768 mK

Slewing rings with angle stop – easily adjustable



- Quick adjustment of the stop
- Load ratings identical to standard type 01

Dimensions [mm]

D ¹⁰⁾	D1	d1	d	d2	H	h	T1	T2	S1	S2	K1 for screw	R1	R2	B	Part No.
80	70	31.0	20	60	24	8	6 x 60°	6 x 60°	M4	4.5	DIN 7984 M4	30	20	3.5	PRT-01-20-AA
100	91	42.5	30	82	29	10	8 x 45°	8 x 45°	M4	4.5	DIN 7984 M4	41	29	4.5	PRT-01-30-AA
150	135	65.0	50	120	33	10	8 x 45°	16 x 22.5°	M6	6.6	ISO 4762 M6	60	46.5	4.5	PRT-01-50-AA
160	145	74.0	60	130	33	10	10 x 36°	20 x 18°	M5	5.5	ISO 4762 M5	65	51.5	4.5	PRT-01-60-AA
185	170	112.0	100	160	34	12	12 x 30°	16 x 22.5°	M5	5.5	ISO 4762 M5	80	69	5.5	PRT-01-100-AA
250	235	165.0	150	220	35	12	12 x 30°	16 x 22.5°	M5	5.5	ISO 4762 M5	110	96.5	5.5	PRT-01-150-AA
300	285	215.0	200	274	38	15	12 x 30°	16 x 22.5°	M6	6.6	ISO 4762 M6	137	124	7.0	PRT-01-200-AA
450	430	320.0	300	410	42	15	12 x 30°	16 x 22.5°	M8	9.0	DIN 7984 M8	205	186.6	7.0	PRT-01-300-AA

¹⁰⁾ Tolerance according to DIN ISO 2768 mK