



Order key

Type	Size [mm]	Options
PRT-04-	50	-ES-H1
Slewing ring	Design	Inner Ø Body material Sliding elements

Options:

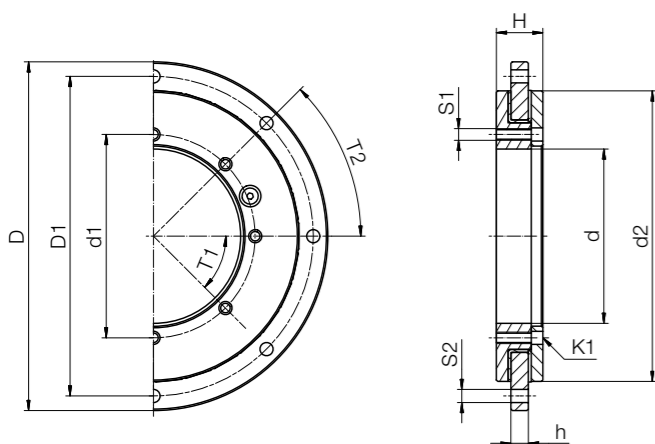
Body material

Blank: Aluminium
ES: 316 stainless steel

Sliding elements

Blank: iglidur® J
H1: iglidur® H1, high temperature
F2: iglidur® F2, ESD-compliant (only in conjunction with stainless steel)
A180: iglidur® A180, FDA-compliant

- High wear resistance
- Replaceable sliding elements
- For high loads and high rigidity



Dimension [mm]

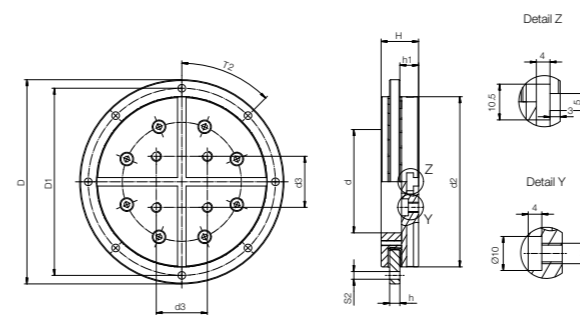
D	D1	d1	d	d2	H	h	T1	T2	S1	S2	K1 for screw	Part No.
110	100	60	50	90	16	6	8 × 45°	8 × 45°	M4	Ø 4.5	Ø 4.5	PRT-04-50-ES
120	110	70	60	100	16	6	8 × 45°	8 × 45°	M4	Ø 4.5	Ø 4.5	PRT-04-60-ES
160	150	110	100	140	16	6	8 × 45°	8 × 45°	M4	Ø 4.5	Ø 4.5	PRT-04-100-ES
210	200	160	150	190	16	6	16 × 22.5°	16 × 22.5°	M4	Ø 4.5	Ø 4.5	PRT-04-150-ES
260	250	210	200	240	16	6	16 × 22.5°	16 × 22.5°	M4	Ø 4.5	Ø 4.5	PRT-04-200-ES
360	350	310	300	340	16	6	16 × 22.5°	16 × 22.5°	M4	Ø 4.5	Ø 4.5	PRT-04-300-ES



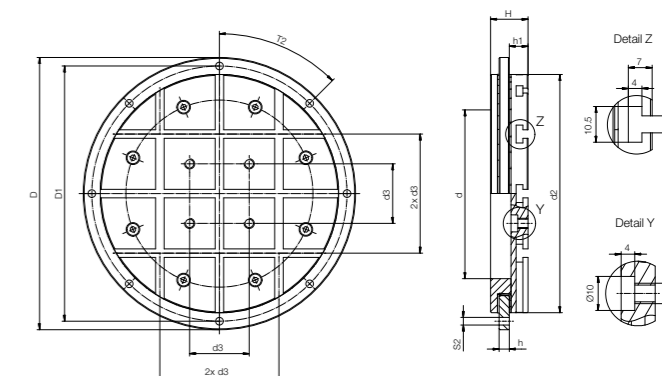
Order key

Type	Size [mm]	Options
PRT-04-	50	-T
Slewing ring	Design	Inner Ø Slot nuts

- Available for PRT-01 and PRT-04
- Fast assembly
- Easy positioning with no additional holes



Slot nut profile up to size 60



Slot nut profile from size 100

Dimension [mm]

D	D1	d1	d	d2	H	h	h1	T2	S2	Part No.
110	100	60	50	90	22	6	11	8 × 45°	Ø 4.5	PRT-04-50-T
120	110	70	60	100	22	6	11	8 × 45°	Ø 4.5	PRT-04-60-T
160	150	110	100	140	22	6	11	8 × 45°	Ø 4.5	PRT-04-100-T
210	200	160	150	190	22	6	11	16 × 22.5°	Ø 4.5	PRT-04-150-T
260	250	210	200	240	22	6	11	16 × 22.5°	Ø 4.5	PRT-04-200-T
360	350	310	300	340	22	6	11	16 × 22.5°	Ø 4.5	PRT-04-300-T