

Order key

Type	Size
T J U M-03-10	
Open	
iglidur® J	
Liner	
Metric	
Self-aligning	
Inner Ø d1	

- Split aluminium adapter with spherical middle area for automatic compensation of misalignments and O-rings for elastic seating

- ⁷⁸⁾ According to igus® testing method ▶ Page 1146
- ⁸²⁾ Design tips ▶ Page 1078
- Please note: Installation instructions ▶ Page 1079
- Floating bearing ▶ Page 1078
- Imperial dimensions ▶ Page 1616

Dimensions [mm]

d1	d2	B	B1	s	dn	ds	do	o	e	R	Part No.		
	H7	h10	H10	H10	h10	h10		+0.1					
10	19	-0.020	-0.040	28.9	21.8	1.30	17.5	18.5	15.4	1.86	5.0	13.0	TJUM-03-10
12	22	-0.020	-0.040	31.9	22.8	1.30	20.5	21.5	18.4	1.86	6.0	18.0	TJUM-03-12
16	26	-0.020	-0.040	35.9	24.9	1.30	24.2	25.5	20.4	2.86	8.0	32.0	TJUM-03-16
20	32	-0.020	-0.045	44.8	31.5	1.60	29.6	31.5	26.4	2.86	10.0	50.0	TJUM-03-20
25	40	-0.030	-0.055	57.8	44.1	1.85	36.5	39.0	34.4	2.86	12.5	39.0	TJUM-03-25
30	47	-0.030	-0.055	67.8	52.1	1.85	43.5	46.0	41.4	2.86	15.0	57.0	TJUM-03-30
40	62	-0.030	-0.060	79.8	60.9	2.15	57.8	61.0	56.4	2.86	20.0	100.0	TJUM-03-40
50	75	-0.030	-0.060	99.8	78.0	2.65	70.5	74.0	69.4	2.86	25.0	157.0	TJUM-03-50

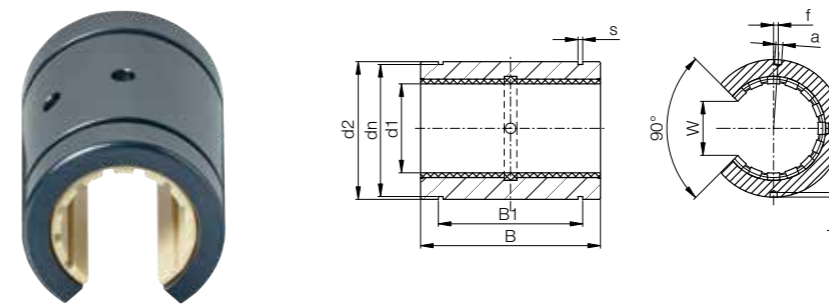
Technical data

Part No.	d1 tolerance ⁷⁸⁾ [mm]	Fmax. dynamic ⁸²⁾ p = 5MPa		Fmax. static ⁸²⁾ p = 35MPa	Weight [g]
		[N]	[N]	[N]	
TJUM-03-10	+0.030 +0.092	725	5,075	5,075	11
TJUM-03-12	+0.030 +0.097	960	6,720	6,720	17
TJUM-03-16	+0.030 +0.097	1,440	10,080	10,080	23
TJUM-03-20	+0.030 +0.103	2,250	15,750	15,750	44
TJUM-03-25	+0.030 +0.103	3,625	25,375	25,375	92
TJUM-03-30	+0.040 +0.124	5,100	35,700	35,700	145
TJUM-03-40	+0.040 +0.124	8,000	56,000	56,000	311
TJUM-03-50	+0.050 +0.196	12,500	87,500	87,500	542

Can be combined with:

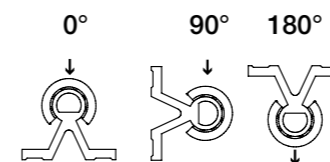


Available with drylin® liners (optional: J200/A180):



Order key

Type	Size
O J U M-01-10	
Open	
iglidur® J	
Liner	
Metric	
Standard	
Inner Ø d1	



- ⁷⁸⁾ According to igus® testing method ▶ Page 1146
- ⁸²⁾ Design tips ▶ Page 1078
- Please note: Installation instructions ▶ Page 1079
- Imperial dimensions ▶ Page 1614

Dimensions [mm]

d1	d2	B	W	a	dn	B1	s	f	h	Part No.
	H7	h10	-1	+0.1	h10	H10	H10	±0.2	-0.5	
10	19	29	7.3	0.0	17.5	21.6	1.30	0	1.2	OJUM-01-10
12	22	32	9.0	3.0	20.5	22.6	1.30	1.33 (7°)	1.2	OJUM-01-12
16	26	36	11.6	2.2	24.2	24.6	1.30	0	1.2	OJUM-01-16
20	32	45	12.0	2.2	29.6	31.2	1.60	0	1.2	OJUM-01-20
25	40	58	14.5	3.0	36.5	43.7	1.85	-1.5 (-4.3°)	1.5	OJUM-01-25
30	47	68	16.6	3.0	43.5	51.7	1.85	2 (4.9°)	2.0	OJUM-01-30
40	62	80	21.0	3.0	57.8	60.3	2.15	1.5 (2.8°)	2.0	OJUM-01-40
50	75	100	25.5	5.0	70.5	77.3	2.65	2.5 (3.8°)	2.0	OJUM-01-50

Technical data

Part No.	d1 tolerance ⁷⁸⁾	Fmax. dynamic ⁸²⁾ p = 5MPa			Fmax. static ⁸²⁾ p = 35MPa			Weight [g]
		0°	90°	180°	0°	90°	180°	
		OJUM-01-10	+0.030 +0.088	725	500	196	5,075	
OJUM-01-12	+0.030 +0.088	960	635	240	6,720	4,445	1,680	15
OJUM-01-16	+0.030 +0.088	1,440	990	396	10,080	6,943	2,772	21
OJUM-01-20	+0.030 +0.091	2,250	1,800	900	15,750	12,600	6,300	42
OJUM-01-25	+0.030 +0.091	3,625	2,953	1,523	25,375	20,670	10,658	70
OJUM-01-30	+0.040 +0.110	5,100	4,250	2,278	35,700	29,735	15,946	132
OJUM-01-40	+0.040 +0.115	8,000	6,810	3,800	56,000	47,660	26,660	278
OJUM-01-50	+0.050 +0.150	12,500	10,750	6,125	87,500	75,265	42,875	479

Can be combined with:



Available with drylin® liners (optional: J200/A180):

