

Telescopic rails

- Robust plastic/aluminium version
- Lightweight
- Cost-effective
- Corrosion-free
- Continuous lengths up to 1,200mm (total extension)

Order key

Type	Size
------	------

N T - 35 - 300

drylin® N	Telescopic system	Rail width	Length [mm]
-----------	-------------------	------------	-------------

Order key overextension

Type	Size	Option
------	------	--------

N T - 35 - 300 - 320

drylin® N	Telescopic system	Rail width	Length [mm]	Overextension [mm]
-----------	-------------------	------------	-------------	--------------------

Order key partial extension

Type	Size	Option
------	------	--------

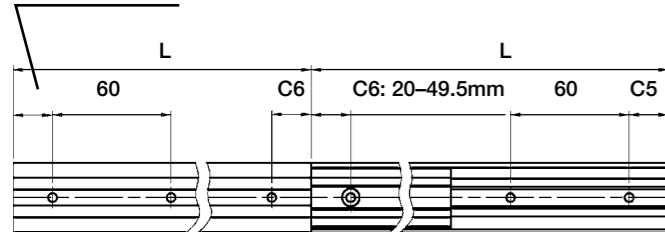
N T - 35 - 300 - 200

drylin® N	Telescopic system	Rail width	Length [mm]	Partial extension [mm]	Option: Partial extension (example: compressed length 300mm, extended length 500mm)
-----------	-------------------	------------	-------------	------------------------	---

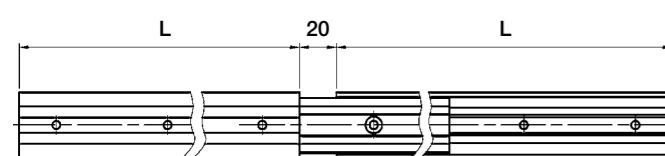
Tip: F_{max} calculated using this formula allows an easy manual use. Higher loads can be taken up by the system, but need a higher drive force.

NT-35-"L" – Total extension

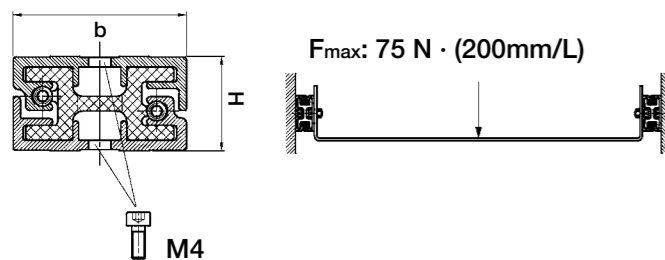
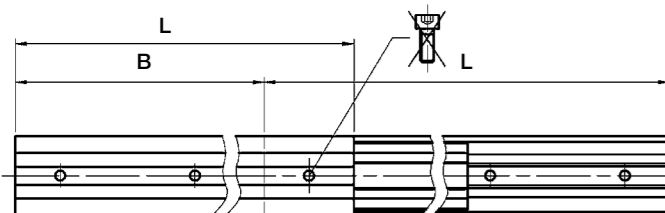
C5: 20–49.5mm



NT-35-"L"-"L+20" – overextension



NT-35-"L"-"B" – Partial extension



Dimensions [mm]

Part No.	b	H	C4	C5 = C6		L	
				Min.	Max.	Min.	Max.
NT-35-... mm	35	19	60	20	49.5	100	600

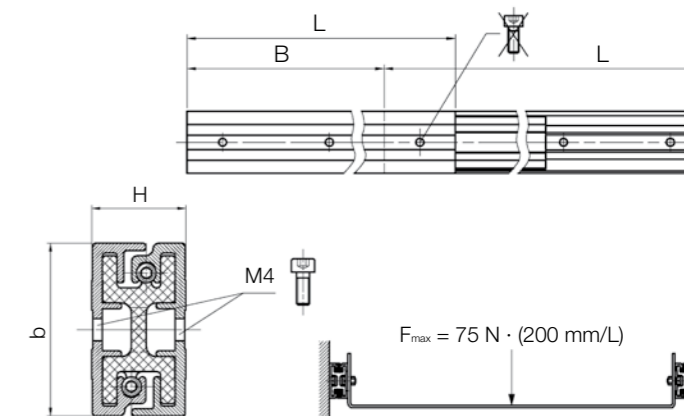
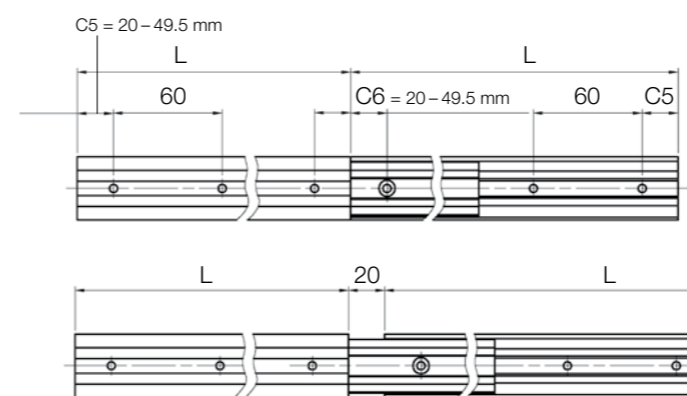
Telescopic rails with locking mechanism

Order key

Type	Size	Option
------	------	--------

N T - LM - 35 - 300

drylin® N	Telescopic system	Locking mechanism	Rail width	Length [mm]
-----------	-------------------	-------------------	------------	-------------



drylin® NT LM in adjustment of Perspex guard



drylin® NT LM in guard door adjustment in a machine tool

drylin® detent in end and centre position at full extension – dimensions [mm]

Part No.	b	H	Lmin	Lmax.
NT-LM-35-...mm	35	19	140	600

Individual position detent upon request; The length divided by the locking distance must be an even number. e.g. Length 250mm, latching in 62.5mm step: $250/62.5 = 4$

Order example:
NT-LM-35-300: drylin® N telescopic rail with locking mechanism, 35mm width, retracted length 300mm

drylin® stop motion full product range online
► www.igus.eu/drylinstopmotion