

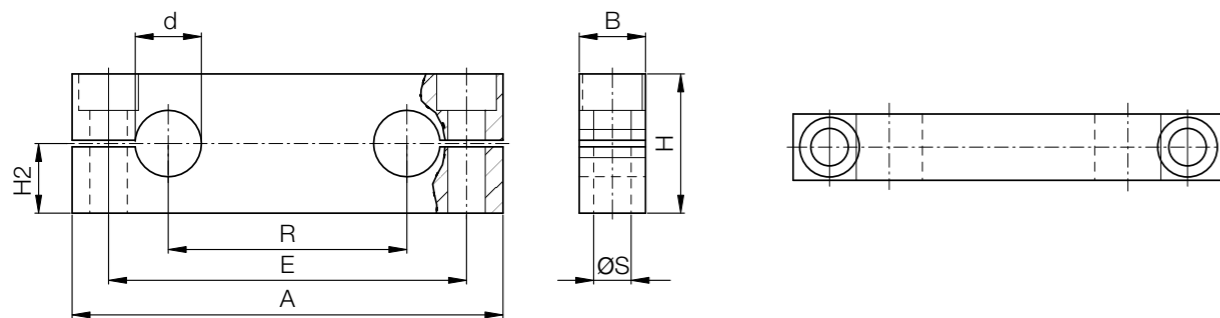


Order key

| Type | Size |
|------|------|
|------|------|

TA F - 08

| | | |
|-------------------|-------|---------|
| Shaft end support | Fixed | Inner Ø |
|-------------------|-------|---------|

 Material: aluminium
Through fixing hole


Dimensions [mm]

| Part No. | d | A | B | H | H2 | Ø S | E | R | Weight [g] |
|----------|----|-----|----|----|----------------|------|-----|-----|------------|
| TAF-08 | 8 | 65 | 12 | 23 | ±0.015 12.5 | 5.5 | 52 | 32 | 40 |
| TAF-10 | 10 | 70 | 12 | 25 | 14.0 | 5.5 | 55 | 34 | 45 |
| TAF-12 | 12 | 85 | 14 | 32 | 18.0 | 6.6 | 70 | 42 | 90 |
| TAF-16 | 16 | 100 | 18 | 36 | 20.0 | 9.0 | 82 | 54 | 140 |
| TAF-20 | 20 | 130 | 20 | 46 | 25.0 | 11.0 | 108 | 72 | 250 |
| TAF-25 | 25 | 160 | 25 | 56 | 30.0 | 13.5 | 132 | 88 | 470 |
| TAF-30 | 30 | 180 | 25 | 64 | 35.0 | 13.5 | 150 | 96 | 620 |
| TAF-40 | 40 | 230 | 30 | 80 | 44.0 | 17.5 | 190 | 122 | 1,150 |



Order example:

TAF-12: fixed shaft end support with 12mm inner Ø



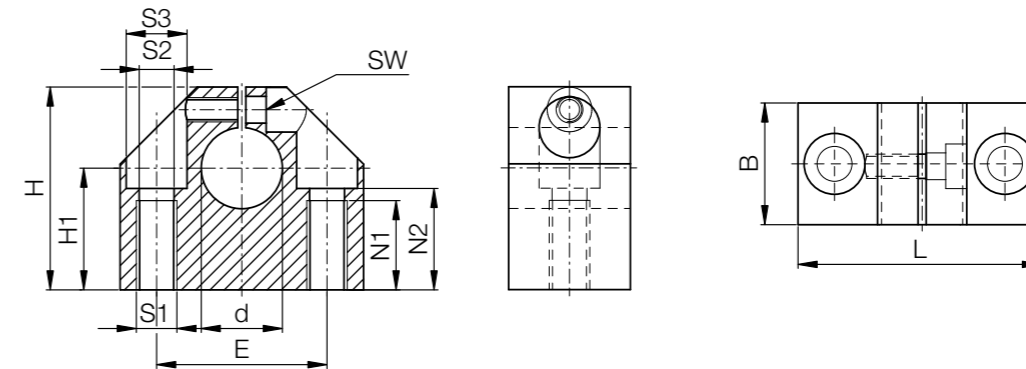
Order key

| Type | Size |
|------|------|
|------|------|

WA - 08

| | | |
|-----------------|-----------------|---------|
| Shaft end block | Standard design | Inner Ø |
|-----------------|-----------------|---------|

Material: aluminium



Dimensions [mm]

| Part No. | d | B | H | H1 | L | S1 | S2 | S3 | E | N1 | N2 | SW | Weight [g] |
|----------|----|----|-----|-------------|-----|-----|-------|----|------------|----|------|------|------------|
| WA-08 | 8 | 18 | 28 | ±0.02 15 | 32 | M4 | 3.3 | 6 | ±0.1 22 | 9 | 13.0 | 2.5 | 40 |
| WA-12 | 12 | 20 | 35 | 20 | 43 | M6 | 5.2 | 10 | 30 | 13 | 16.5 | 3.0 | 100 |
| WA-16 | 16 | 24 | 42 | 25 | 53 | M8 | 6.8 | 11 | 38 | 18 | 21.0 | 4.0 | 150 |
| WA-20 | 20 | 30 | 50 | 30 | 60 | M10 | 8.6 | 15 | 42 | 22 | 25.0 | 5.0 | 230 |
| WA-25 | 25 | 38 | 60 | 35 | 78 | M12 | 10.3 | 18 | 56 | 26 | 30.0 | 6.0 | 410 |
| WA-30 | 30 | 40 | 70 | 40 | 87 | M12 | 10.3 | 18 | 64 | 26 | 34.0 | 6.0 | 530 |
| WA-40 | 40 | 48 | 90 | 50 | 108 | M16 | 14.25 | 20 | 82 | 34 | 44.0 | 8.0 | 990 |
| WA-50 | 50 | 58 | 105 | 60 | 132 | M20 | 17.5 | 26 | 100 | 43 | 49.0 | 10.0 | 1,250 |
| WA-60 | 60 | 74 | 130 | 75 | 164 | M27 | 22 | 33 | 124 | 43 | 59.0 | 10.0 | 2,950 |



Order example:

WA-08: shaft end block, standard design with inner Ø 8mm