

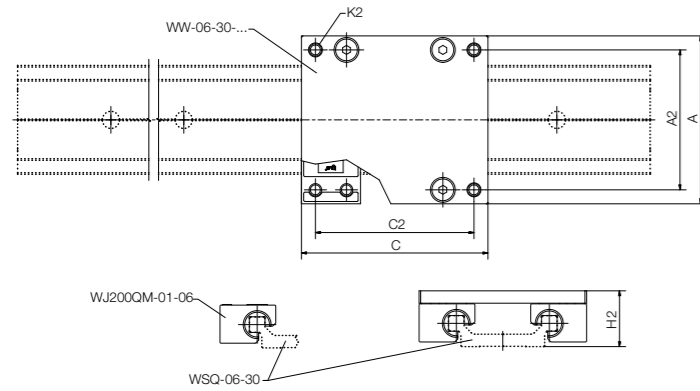


Order key

Type Size

WW Q-06-30-06

- Guide carriage
- Square
- Shafts-Ø [mm]
- Profile width
- Carriage length



Technical data and dimensions [mm]

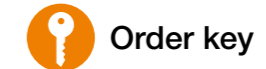
Part No. ⁵⁴⁾	Weight [kg]	A		A2	C2	K2	H2 ⁵⁷⁾ ±0.25	Static load capacity				
		Width	Length					Coy [N]	Coz [N]	Mox [Nm]	Moy [Nm]	Moz [Nm]
WWQ-06-30-06	0.10	54	60	45	51	M4	18	1,680	840	25	34	34
WWQ-06-30-08	0.11	54	80	45	71	M4	18	1,680	840	25	51	51
WWQ-06-30-10	0.12	54	100	45	91	M4	18	1,680	840	25	68	68
WWQ-06-60-06	0.13	85	60	76	51	M4	18	1,680	840	50	34	34
WWQ-06-60-08	0.15	85	80	76	71	M4	18	1,680	840	50	51	51
WWQ-06-60-10	0.17	85	100	76	91	M4	18	1,680	840	50	68	68
WWQ-10-40-10	0.29	73	100	60	87	M6	26	4,800	2,400	96	170	170
WWQ-10-40-15	0.34	73	150	60	137	M6	26	4,800	2,400	96	290	290
WWQ-10-40-20	0.40	73	200	60	187	M6	26	4,800	2,400	96	410	410
WWQ-10-80-10	0.34	107	100	94	87	M6	26	4,800	2,400	178	170	170
WWQ-10-80-15	0.42	107	150	94	137	M6	26	4,800	2,400	178	290	290
WWQ-10-80-20	0.50	107	200	94	187	M6	26	4,800	2,400	178	410	410
WWQ-10-120-10	0.41	153	100	140	87	M6	26	4,800	2,400	288	170	170
WWQ-10-120-15	0.54	153	150	140	137	M6	26	4,800	2,400	288	290	290
WWQ-10-120-20	0.66	153	200	140	187	M6	26	4,800	2,400	288	410	410
WWQ-16-60-10	0.71	104	100	86	82	M8	35	8,400	4,200	240	270	270
WWQ-16-60-15	0.84	104	150	86	132	M8	35	8,400	4,200	240	480	480
WWQ-16-60-20	0.97	104	200	86	182	M8	35	8,400	4,200	240	690	690
WWQ-20-80-15	1.20	134	150	116	132	M8	44	12,800	6,400	525	670	670
WWQ-20-80-20	1.30	134	200	116	182	M8	44	12,800	6,400	525	990	990
WWQ-20-80-25	1.50	134	250	116	232	M8	44	12,800	6,400	525	1,250	1,250

⁵⁷⁾ Height dimension minus the bearing clearance tolerance ⁶⁴⁾ Optional with manual clamp, suffix "-HKA"

Can be combined with:



Suitable liner material:

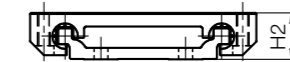
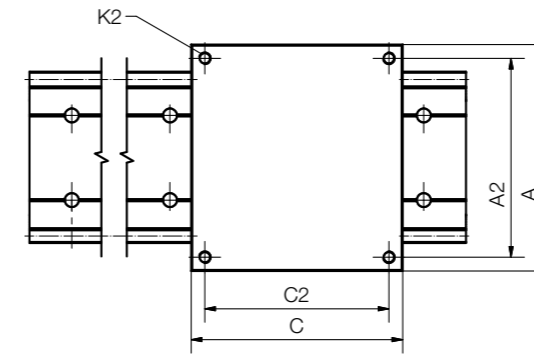


Order key

Type Size

WWC-10-40-10

- Mono-slide guide carriage
- Shafts-Ø [mm]
- Profile width
- Carriage length



Technical data and dimensions [mm]

Part No.	Weight [kg]	A		A2	C2	K2	H2 ⁵⁷⁾ ±0.2	Static load capacity				
		Width	Length					Coy [N]	Coz [N]	Mox [Nm]	Moy [Nm]	Moz [Nm]
WWC-06-30-06	0.07	54	60	45	51	M4	16	1,680	840	25	34	34
WWC-06-30-08	0.09	54	80	45	71	M4	16	1,680	840	25	51	51
WWC-06-30-10	0.12	54	100	45	91	M4	16	1,680	840	25	68	68
WWC-10-40-10	0.21	73	100	60	87	M6	22	4,800	2,400	96	170	170
WWC-10-40-15	0.32	73	150	60	137	M6	22	4,800	2,400	96	290	290
WWC-10-40-20	0.42	73	200	60	187	M6	22	4,800	2,400	96	410	410
WWC-10-80-10	0.28	107	100	94	87	M6	22	4,800	2,400	178	170	170
WWC-10-80-15	0.42	107	150	94	137	M6	22	4,800	2,400	178	290	290
WWC-10-80-20	0.56	107	200	94	187	M6	22	4,800	2,400	178	410	410
WWC-10-120-10	0.36	153	100	140	87	M6	22	4,800	2,400	288	170	170
WWC-10-120-15	0.54	153	150	140	137	M6	22	4,800	2,400	288	290	290
WWC-10-120-20	0.72	153	200	140	187	M6	22	4,800	2,400	288	410	410
WWC-16-60-10	0.41	104	100	86	82	M8	30	8,400	4,200	240	270	270
WWC-16-60-15	0.61	104	150	86	132	M8	30	8,400	4,200	240	480	480
WWC-16-60-20	0.80	104	200	86	182	M8	30	8,400	4,200	240	690	690
WWC-20-80-15	0.99	134	150	116	132	M8	40	12,800	6,400	525	670	670
WWC-20-80-20	1.33	134	200	116	182	M8	40	12,800	6,400	525	990	990
WWC-20-80-25	1.66	134	250	116	232	M8	40	12,800	6,400	525	1,250	1,250

⁵⁷⁾ Height dimension minus the bearing clearance tolerance

Can be combined with:



Suitable liner material:

