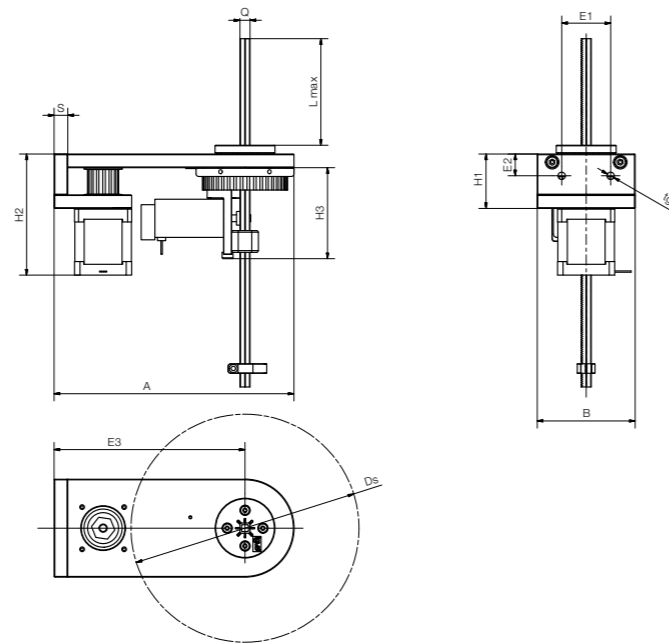


Compact, modular and lubrication-free



- Toothed, hard-anodised and corrosion-resistant square hollow section
- Combination with iglidur® J low friction element
- Modular design
- Drive: NEMA11 stepper motor



i Further motors upon request/suitable initiators available

Dimensions [mm]

Part No.	F	vL	vR	Lmax.	(Ds)	A	B	H1	(H2)	(H3)	E1	E2	E3	Q	tg	S
	[g]			±0.15	±0.15	±0.15			±0.3						h9	
HSQ-10-1440-...	300	0.5	0.4	200	168	177	72	40	89	67	36	16	140	7.5	5.3	10

- Order example**
HSQ-10-1440-A-xxx-17-L-11-L
 (incl. stepper motor NEMA17/11 with stranded wire)
HSQ-10-1440-A-xxx-17-E-11-E
 (incl. stepper motor NEMA17/11 with encoder)

Torque-resistant, controlled separately



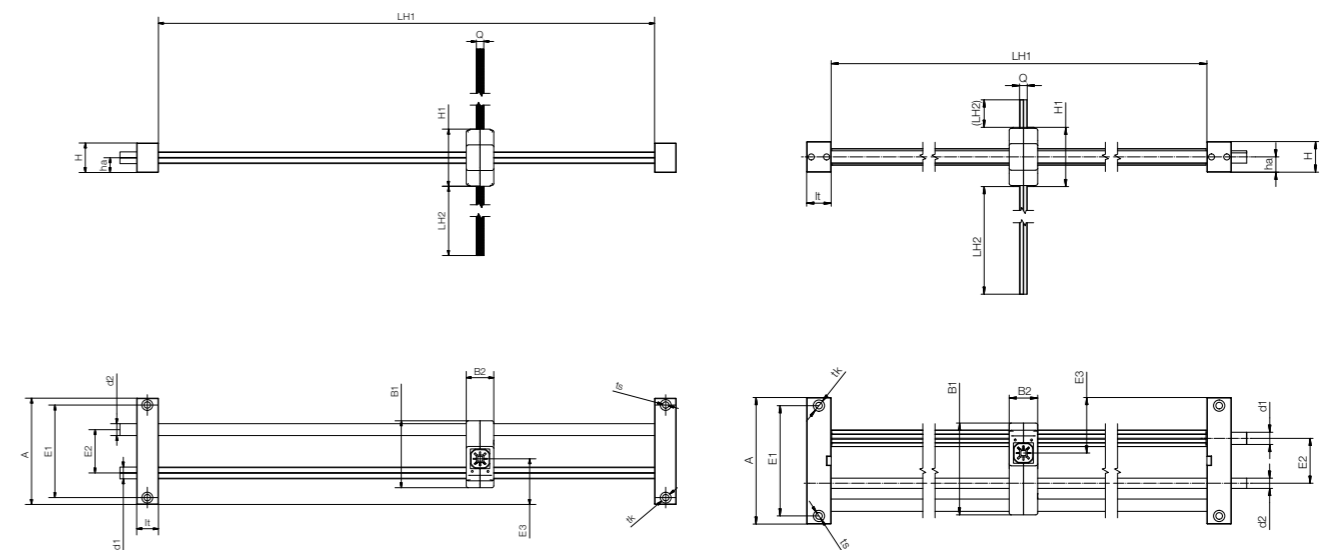
Torque-resistant, lubrication-free linear module. Low mass and compact in the working area.

One linear module with two directions of motion which can be controlled separately. This way, both drives are located outside the working area. This saves space and no unnecessary motor weight is moved. The linear guide is torque-resistant and thanks to the compact modular construction, high speeds can be reached with low power.

- Quiet and lightweight
- No electronics in the working area
- Compact structure
- Corrosion-resistant

Typical application areas:

- Medical technology
- Pick & Place
- Gripper technology



Dimensions [mm]

Part No.	Max. axial F [N]	LH1	LH2	H	H1	ha	A	E1	E2	E3	B1	B2	lt	d1	d2	ts	tk
SLQ-1210-...	200	500	200	30	58	15	108	94	44	46.5	68	28	22	12	12	6.6	-
SLQ-121012-...	2	500	200	30	58	15	124	108	44	30.0	90	28	22	12	10	6.6	11