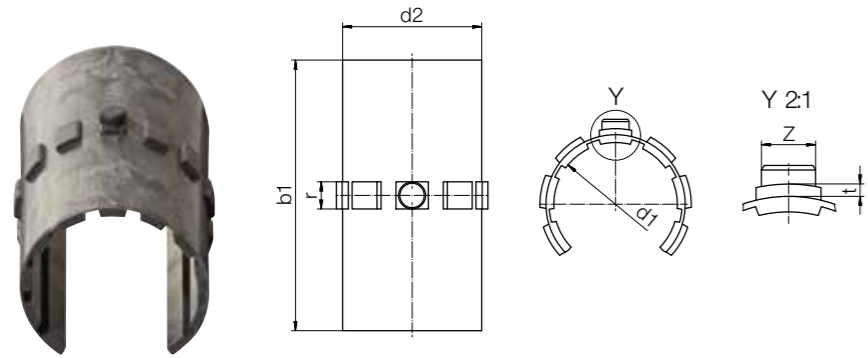


drylin® R liners | Product range

Long, open design for supported shafts – made from iglidur® J200 (the specialist)



Order key

| Type | Size |
|-------------------------|------|
| J200 U M O-01-10 | |
| iglidur® J200 | |
| Liner | |
| Metric | |
| Open | |
| Standard | |
| Inner Ø d1 | |

The "specialist" with the best running performance on aluminium

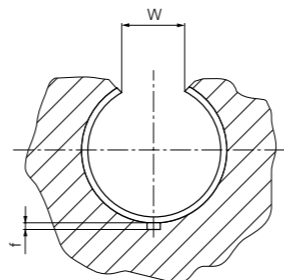
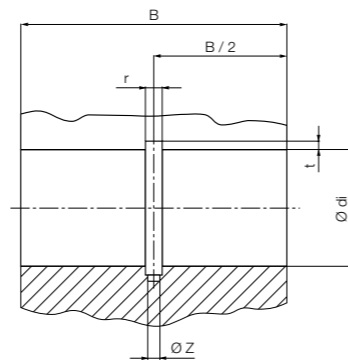
⁷⁸⁾ According to igus® testing method ▶ Page 1146
 Please note: Installation instructions ▶ Page 1079
 Min. -50°C
 Max. +90°C

Dimensions [mm]

| d1 | d1 tolerance ⁷⁸⁾ | d2 | b1 | r | t | Z | Weight [g] | Part No. |
|----|-----------------------------|----|----|-----|-----|-----|------------|----------------------|
| 10 | +0.030 +0.070 | 12 | 28 | 3.0 | 0.8 | 2.5 | 1.04 | J200UMO-01-10 |
| 12 | +0.030 +0.070 | 14 | 31 | 3.0 | 0.8 | 3.0 | 1.34 | J200UMO-01-12 |
| 16 | +0.030 +0.070 | 18 | 35 | 3.5 | 0.8 | 3.5 | 1.98 | J200UMO-01-16 |
| 20 | +0.030 +0.070 | 23 | 44 | 5.0 | 0.8 | 3.5 | 4.80 | J200UMO-01-20 |
| 25 | +0.030 +0.070 | 28 | 57 | 5.0 | 0.8 | 4.0 | 8.05 | J200UMO-01-25 |
| 30 | +0.040 +0.085 | 34 | 67 | 5.0 | 0.8 | 4.0 | 14.30 | J200UMO-01-30 |
| 40 | +0.040 +0.085 | 44 | 79 | 6.0 | 1.3 | 5.0 | 23.31 | J200UMO-01-40 |

Housing hole for J200UMO-01 | Dimensions [mm]

| Shaft Ø | d _i H7 | B h10 | W | r +0.5 | t +0.05 | f +0.1 | Z +0.2 | Part No. |
|---------|-------------------|-------|------|--------|---------|--------|--------|----------------------|
| 10 | 12 | 29 | 7.3 | 3.0 | 1.0 | 1.0 | 2.6 | J200UMO-01-10 |
| 12 | 14 | 32 | 9.0 | 3.0 | 1.0 | 1.5 | 3.1 | J200UMO-01-12 |
| 16 | 18 | 36 | 11.6 | 3.5 | 1.0 | 1.7 | 3.6 | J200UMO-01-16 |
| 20 | 23 | 45 | 12.0 | 5.0 | 1.0 | 2.0 | 3.6 | J200UMO-01-20 |
| 25 | 28 | 58 | 14.5 | 5.0 | 1.0 | 2.0 | 4.1 | J200UMO-01-25 |
| 30 | 34 | 68 | 16.6 | 5.0 | 1.0 | 2.0 | 4.1 | J200UMO-01-30 |
| 40 | 44 | 80 | 21.0 | 6.0 | 1.5 | 2.5 | 5.1 | J200UMO-01-40 |

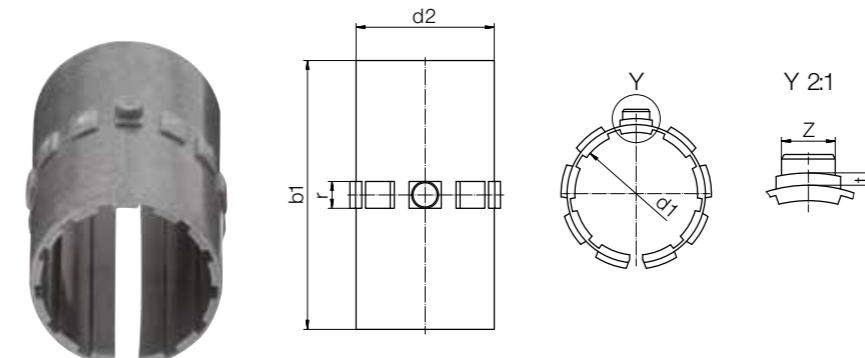


Can be combined with:



drylin® R liners | Product range

Long, closed design for shafts – made from iglidur® E7 (the endurance runner)



Order key

| Type | Size |
|---------------------|------|
| E7 U M-01-10 | |
| iglidur® E7 | |
| Liner | |
| Metric | |
| Standard | |
| Inner Ø d1 | |

The "endurance runner" up to 8 times longer service life on steel shafts

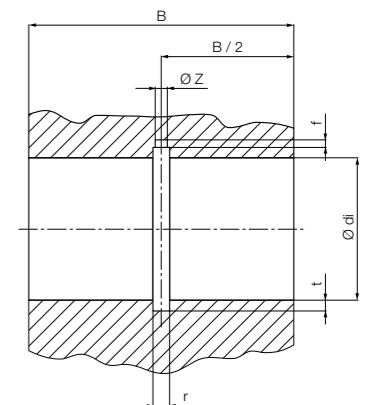
⁷⁸⁾ According to igus® testing method ▶ Page 1146
 Please note: Installation instructions ▶ Page 1079
 Min. -50°C
 Max. +70°C

Dimensions [mm]

| d1 | d1 tolerance ⁷⁸⁾ | d2 | b1 | r | t | Z | Weight [g] | Part No. |
|----|-----------------------------|----|-----|-----|-----|-----|------------|---------------------------------|
| 10 | +0.030 +0.070 | 12 | 28 | 3.0 | 0.8 | 2.5 | 0.73 | E7UM-01-10 |
| 12 | +0.030 +0.070 | 14 | 31 | 3.0 | 0.8 | 3.0 | 1.01 | E7UM-01-12 |
| 16 | +0.030 +0.070 | 18 | 35 | 3.5 | 0.8 | 3.5 | 1.45 | E7UM-01-16 |
| 20 | +0.030 +0.070 | 23 | 44 | 5.0 | 0.8 | 3.5 | 3.25 | E7UM-01-20 |
| 25 | +0.030 +0.070 | 28 | 57 | 5.0 | 0.8 | 4.0 | 5.44 | E7UM-01-25 |
| 30 | +0.040 +0.085 | 34 | 67 | 5.0 | 0.8 | 4.0 | 9.88 | E7UM-01-30 |
| 40 | +0.040 +0.085 | 44 | 79 | 6.0 | 1.3 | 5.0 | 17.30 | E7UM-01-40 |
| 50 | +0.050 +0.150 | 55 | 99 | 7.0 | 1.3 | 6.0 | 36.30 | E7UM-01-50⁷⁹⁾ |
| 60 | +0.050 +0.150 | 65 | 124 | 8.0 | 2.5 | 6.5 | 54.80 | E7UM-01-60⁷⁹⁾ |

Housing hole for E7UM-01 | Dimensions [mm]

| Shaft Ø | d _i H7 | B h10 | r +0.5 | t +0.05 | f +0.1 | Z +0.2 | Part No. |
|---------|-------------------|-------|--------|---------|--------|--------|---------------------------------|
| 10 | 12 | 29 | 3.0 | 1.0 | 1.0 | 2.6 | E7UM-01-10 |
| 12 | 14 | 32 | 3.0 | 1.0 | 1.5 | 3.1 | E7UM-01-12 |
| 16 | 18 | 36 | 3.5 | 1.0 | 1.7 | 3.6 | E7UM-01-16 |
| 20 | 23 | 45 | 5.0 | 1.0 | 2.0 | 3.6 | E7UM-01-20 |
| 25 | 28 | 58 | 5.0 | 1.0 | 2.0 | 4.1 | E7UM-01-25 |
| 30 | 34 | 68 | 5.0 | 1.0 | 2.0 | 4.1 | E7UM-01-30 |
| 40 | 44 | 80 | 6.0 | 1.5 | 2.5 | 5.1 | E7UM-01-40 |
| 50 | 55 | 100 | 7.0 | 1.5 | 2.5 | 6.1 | E7UM-01-50⁷⁹⁾ |
| 60 | 65 | 125 | 8.0 | 2.5 | 3.0 | 6.5 | E7UM-01-60⁷⁹⁾ |



⁷⁹⁾ in two parts

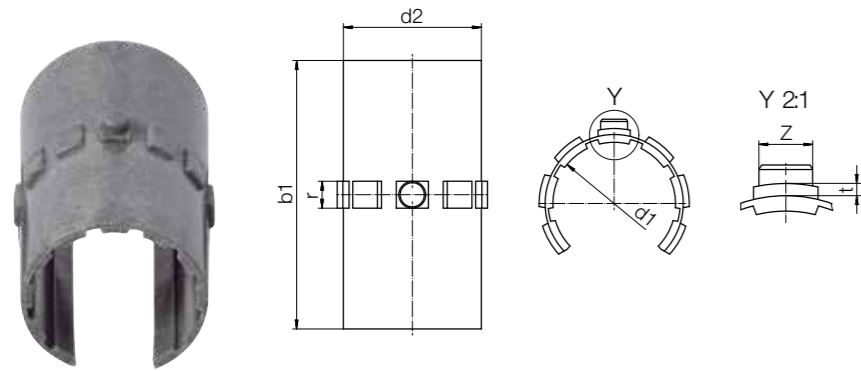
Can be combined with:



Imperial dimensions ▶ Page 1612

drylin® R liners | Product range

Long, open design for supported shafts – made from iglidur® E7 (the endurance runner)



Order key

| Type | Size |
|-------------|------|
| iglidur® E7 | |
| Liner | |
| Metric | |
| Open | |
| Standard | |
| Inner Ø d1 | |

The "endurance runner" up to 8 times longer service life on steel shafts

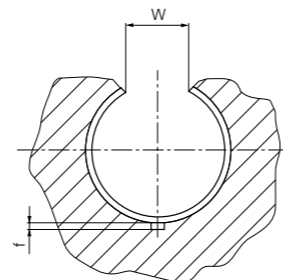
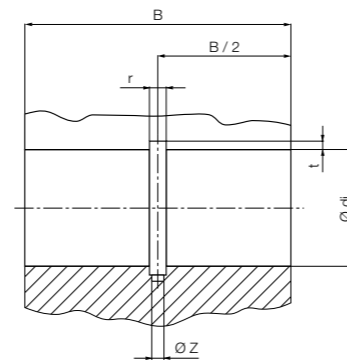
⁷⁸⁾ According to igus® testing method ► Page 1146
Please note: Installation instructions ► Page 1079
 Min. -50°C
Max. +70°C

Dimensions [mm]

| d1 | d1 tolerance ⁷⁸⁾ | d2 | b1 | r | t | Z | Weight [g] | Part No. |
|----|-----------------------------|----|-----|-----|-----|-----|------------|----------------------------------|
| 10 | +0.030 +0.070 | 12 | 28 | 3.0 | 0.8 | 2.5 | 0.73 | E7UMO-01-10 |
| 12 | +0.030 +0.070 | 14 | 31 | 3.0 | 0.8 | 3.0 | 1.01 | E7UMO-01-12 |
| 16 | +0.030 +0.070 | 18 | 35 | 3.5 | 0.8 | 3.5 | 1.45 | E7UMO-01-16 |
| 20 | +0.030 +0.070 | 23 | 44 | 5.0 | 0.8 | 3.5 | 3.25 | E7UMO-01-20 |
| 25 | +0.030 +0.070 | 28 | 57 | 5.0 | 0.8 | 4.0 | 5.44 | E7UMO-01-25 |
| 30 | +0.040 +0.085 | 34 | 67 | 5.0 | 0.8 | 4.0 | 9.88 | E7UMO-01-30 |
| 40 | +0.040 +0.085 | 44 | 79 | 6.0 | 1.3 | 5.0 | 17.30 | E7UMO-01-40 |
| 50 | +0.050 +0.150 | 55 | 99 | 7.0 | 1.3 | 6.0 | 36.40 | E7UMO-01-50⁷⁹⁾ |
| 60 | +0.050 +0.150 | 65 | 124 | 8.0 | 2.5 | 6.5 | 54.80 | E7UMO-01-60⁷⁹⁾ |

Housing hole for E7UMO-01 | Dimensions [mm]

| Shaft Ø | d1 H7 | B h10 | W | r +0.5 | t +0.05 | f +0.1 | Z +0.2 | Part No. |
|---------|-------|-------|------|--------|---------|--------|--------|----------------------------------|
| 10 | 12 | 29 | 7.3 | 3.0 | 1.0 | 1.0 | 2.6 | E7UMO-01-10 |
| 12 | 14 | 32 | 9.0 | 3.0 | 1.0 | 1.5 | 3.1 | E7UMO-01-12 |
| 16 | 18 | 36 | 11.6 | 3.5 | 1.0 | 1.7 | 3.6 | E7UMO-01-16 |
| 20 | 23 | 45 | 12.0 | 5.0 | 1.0 | 2.0 | 3.6 | E7UMO-01-20 |
| 25 | 28 | 58 | 14.5 | 5.0 | 1.0 | 2.0 | 4.1 | E7UMO-01-25 |
| 30 | 34 | 68 | 16.6 | 5.0 | 1.0 | 2.0 | 4.1 | E7UMO-01-30 |
| 40 | 44 | 80 | 21.0 | 6.0 | 1.5 | 2.5 | 5.1 | E7UMO-01-40 |
| 50 | 55 | 100 | 25.5 | 7.0 | 1.5 | 2.5 | 6.1 | E7UMO-01-50⁷⁹⁾ |
| 60 | 65 | 125 | 27.2 | 8.0 | 2.5 | 3.0 | 6.5 | E7UMO-01-60⁷⁹⁾ |



⁷⁹⁾ in two parts

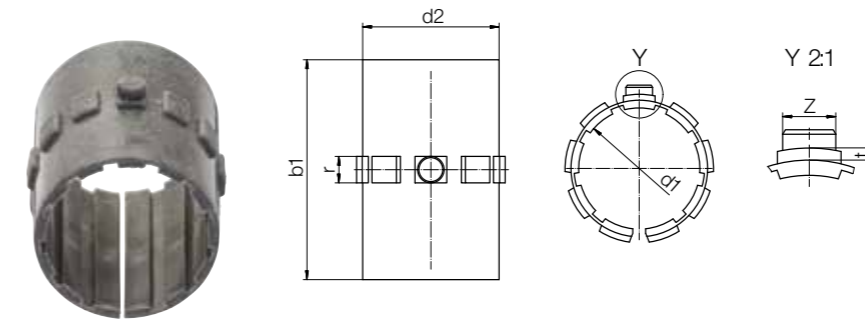
Can be combined with:



OJUM-01/-03 OJUM-06/-06-LL

drylin® R liners | Product range

Short, closed design for shafts – made from iglidur® E7 (the endurance runner)



Order key

| Type | Size |
|-------------|------|
| iglidur® E7 | |
| Liner | |
| Metric | |
| Compact | |
| Inner Ø d1 | |

The "endurance runner" up to 8 times longer service life on steel shafts

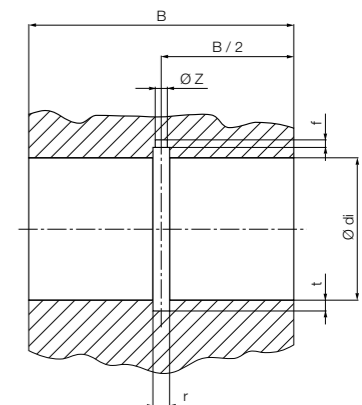
⁷⁸⁾ According to igus® testing method ► Page 1146
Please note: Installation instructions ► Page 1079
 Min. -50°C
Max. +70°C

Dimensions [mm]

| d1 | d1 tolerance ⁷⁸⁾ | d2 | b1 | r | t | Z | Weight [g] | Part No. |
|----|-----------------------------|----|----|-----|-----|-----|------------|-------------------|
| 10 | +0.030 +0.070 | 12 | 25 | 3.0 | 0.8 | 2.5 | 0.73 | E7UM-02-10 |
| 12 | +0.030 +0.070 | 14 | 27 | 3.0 | 0.8 | 3.0 | 1.01 | E7UM-02-12 |
| 16 | +0.030 +0.070 | 18 | 29 | 3.5 | 0.8 | 3.5 | 1.45 | E7UM-02-16 |
| 20 | +0.030 +0.070 | 23 | 29 | 5.0 | 0.8 | 3.5 | 3.25 | E7UM-02-20 |
| 25 | +0.030 +0.070 | 28 | 39 | 5.0 | 0.8 | 4.0 | 5.44 | E7UM-02-25 |
| 30 | +0.040 +0.085 | 34 | 49 | 5.0 | 0.8 | 4.0 | 9.88 | E7UM-02-30 |
| 40 | +0.040 +0.085 | 44 | 59 | 6.0 | 1.3 | 5.0 | 17.30 | E7UM-02-40 |

Housing hole for E7UM-02 | Dimensions [mm]

| Shaft Ø | d1 H7 | B h10 | r +0.05 | t +0.1 | f +0.5 | Z +0.2 | Part No. |
|---------|-------|-------|---------|--------|--------|--------|-------------------|
| 10 | 12 | 26 | 3.0 | 1.0 | 1.0 | 2.6 | E7UM-02-10 |
| 12 | 14 | 28 | 3.0 | 1.0 | 1.5 | 3.1 | E7UM-02-12 |
| 16 | 18 | 30 | 3.5 | 1.0 | 1.7 | 3.6 | E7UM-02-16 |
| 20 | 23 | 30 | 5.0 | 1.0 | 2.0 | 3.6 | E7UM-02-20 |
| 25 | 28 | 40 | 5.0 | 1.0 | 2.0 | 4.1 | E7UM-02-25 |
| 30 | 34 | 50 | 5.0 | 1.0 | 2.0 | 4.1 | E7UM-02-30 |
| 40 | 44 | 60 | 6.0 | 1.5 | 2.5 | 5.1 | E7UM-02-40 |



Can be combined with:



RJUM-02 RJUM-05/RJUME-05 FJUMT-01/-02 TJUM-05/RJUMT-05