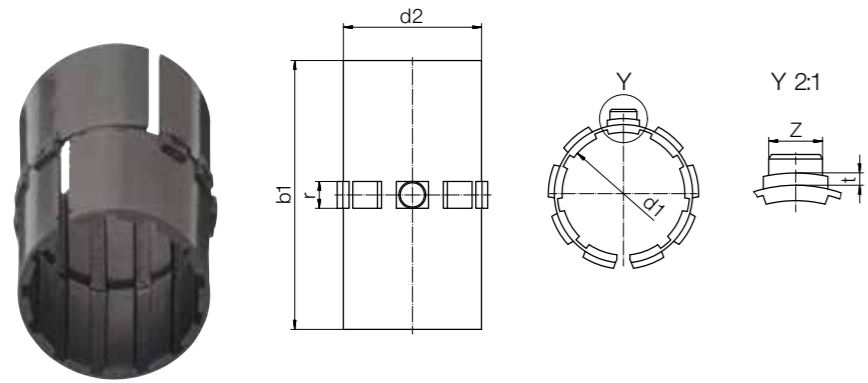


drylin® R liners | Product range

Long, closed design for shafts, two-piece – made from iglidur® X (the extreme)



Order key

Type	Size
iglidur® X	
Liner	
Metric	
Standard	
Inner Ø d1	

The "extreme", resistant to temperature and chemicals on stainless steel and chromed shafts

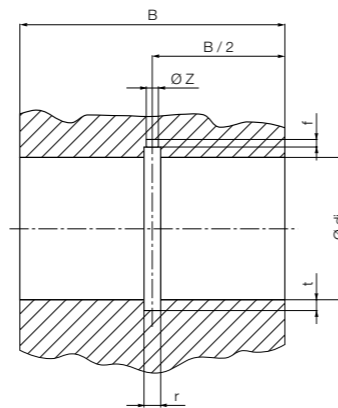
i ⁷⁸⁾ According to igus® testing method ▶ Page 1146
Please note: Installation instructions ▶ Page 1079
+ Min. -100°C
Max. +250°C

Dimensions [mm]

d1	d1 tolerance ⁷⁸⁾	d2	b1	r	t	Z	Weight [g]	Part No.
12	+0.020 +0.060	14	31	3.0	0.8	3.0	1.50	XUM-01-12
14	+0.020 +0.060	18	35	3.5	0.8	3.5	2.13	XUM-01-14
16	+0.020 +0.060	18	35	3.5	0.8	3.5	2.20	XUM-01-16
20	+0.030 +0.070	23	44	5.0	0.8	3.5	4.90	XUM-01-20
25	-0.030 +0.010	28	57	5.0	0.8	4.0	8.23	XUM-01-25
30	-0.040 +0.010	34	67	5.0	0.8	4.0	14.95	XUM-01-30
40	±0.000 +0.050	44	79	6.0	1.3	5.0	23.16	XUM-01-40

Housing hole for XUM-01 | Dimensions [mm]

Shaft Ø	d1 H7	B h10	r +0.05	t +0.1	f +0.5	Z +0.2	Part No.
12	14	32	3.0	1.0	1.5	3.1	XUM-01-12
14	16	30	3.5	1.0	1.7	3.6	XUM-01-14
16	18	36	3.5	1.0	1.7	3.6	XUM-01-16
20	23	45	5.0	1.0	2.0	3.6	XUM-01-20
25	28	58	5.0	1.0	2.0	4.1	XUM-01-25
30	34	68	5.0	1.0	2.0	4.1	XUM-01-30
40	44	80	6.0	1.5	2.5	5.1	XUM-01-40

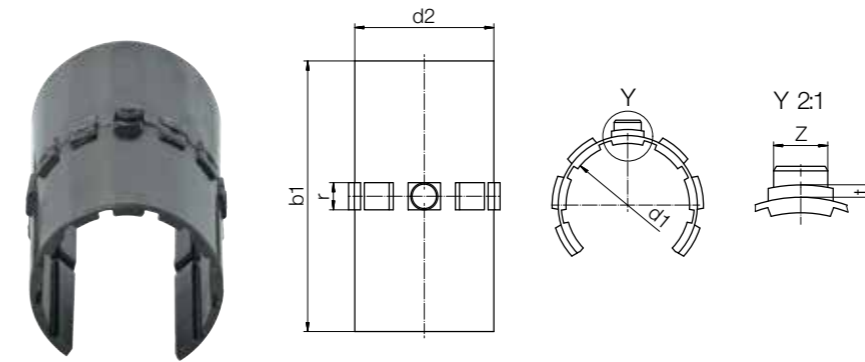


Can be combined with:



drylin® R liners | Product range

Long, open design for supported shafts, two-piece – made from iglidur® X (the extreme)



Order key

Type	Size
iglidur® X	
Liner	
Metric	
Open	
Standard	
Inner Ø d1	

The "extreme", resistant to temperature and chemicals on stainless steel and chromed shafts

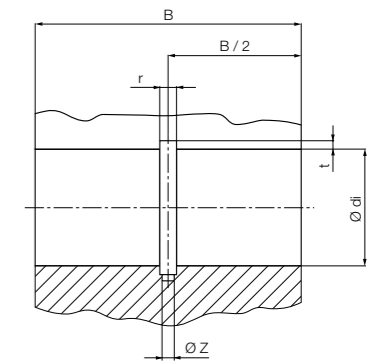
i ⁷⁸⁾ According to igus® testing method ▶ Page 1146
Please note: Installation instructions ▶ Page 1079
+ Min. -100°C
Max. +250°C

Dimensions [mm]

d1	d1 tolerance ⁷⁸⁾	d2	b1	r	t	Z	Weight [g]	Part No.
10	-0.020 +0.020	12	28	3.0	0.8	2.5	1.00	XUMO-01-10¹¹⁰⁾
12	+0.020 +0.060	14	31	3.0	0.8	3.0	1.20	XUMO-01-12
16	+0.020 +0.060	18	35	3.5	0.8	3.5	2.30	XUMO-01-16
20	+0.030 +0.070	23	44	5.0	0.8	3.5	4.30	XUMO-01-20
25	-0.030 +0.010	28	57	5.0	0.8	4.0	6.80	XUMO-01-25
30	-0.040 +0.010	34	67	5.0	0.8	4.0	13.30	XUMO-01-30
40	±0.000 +0.050	44	79	6.0	1.3	5.0	22.60	XUMO-01-40

Housing hole for XUMO-01 | Dimensions [mm]

Shaft Ø	d1 H7	B h10	W +0.2	r +0.05	t +0.1	f +0.5	Z +0.2	Part No.
10	12	29	7.3	3.0	1.0	1.0	2.6	XUMO-01-10¹¹⁰⁾
12	14	32	9.0	3.0	1.0	1.5	3.1	XUMO-01-12
16	18	36	11.6	3.5	1.0	1.7	3.6	XUMO-01-16
20	23	45	12.0	5.0	1.0	2.0	3.6	XUMO-01-20
25	28	58	14.5	5.0	1.0	2.0	4.1	XUMO-01-25
30	34	68	16.6	5.0	1.0	2.0	4.1	XUMO-01-30
40	44	80	21.0	6.0	1.5	2.5	5.1	XUMO-01-40



¹¹⁰⁾ One-piece

Can be combined with:

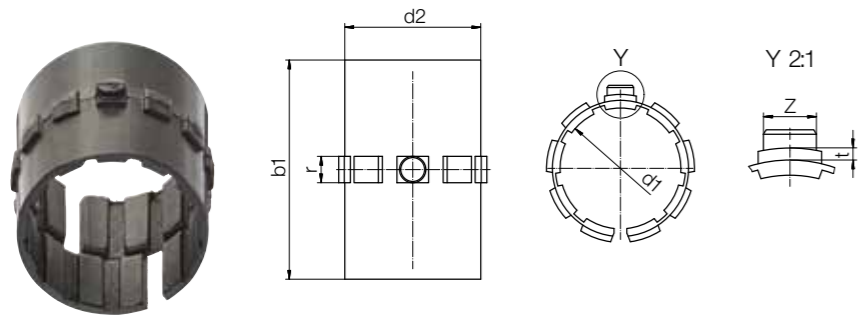


drylin® R liners | Product range

Short, closed design for shafts, two-pieces – made from iglidur® X (the extreme)



Order key



Type	Size
iglidur® X	
Liner	
Metric	
Compact	
Inner Ø d1	

XUM-02-12

The "extreme", resistant to temperature and chemicals on stainless steel and chromed shafts



⁷⁸⁾ According to igus® testing method ▶ Page 1146

Please note: Installation instructions ▶ Page 1079



Min. -100°C

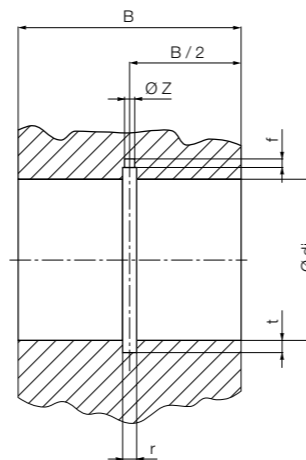
Max. +250°C

Dimensions [mm]

d1	d1 tolerance ⁷⁸⁾	d2	b1	r	t	Z	Weight [g]	Part No.
12	+0.020 +0.060	14	27	3.0	0.8	3.0	1.3	XUM-02-12
16	+0.020 +0.060	18	29	3.5	0.8	3.5	2.5	XUM-02-16
20	+0.030 +0.070	23	29	5.0	0.8	3.5	3.4	XUM-02-20
25	-0.030 +0.010	28	39	5.0	0.8	4.0	5.6	XUM-02-25
30	-0.040 +0.010	34	49	5.0	0.8	4.0	12.0	XUM-02-30
40	±0.000 +0.050	44	59	6.0	1.3	5.0	20.0	XUM-02-40

Housing hole for XUM-02 | Dimensions [mm]

Shaft Ø	d _i H7	B h10	r +0.05	t +0.1	f +0.5	Z +0.2	Part No.
12	14	28	3.0	1.0	1.5	3.1	XUM-02-12
16	18	30	3.5	1.0	1.7	3.6	XUM-02-16
20	23	30	5.0	1.0	2.0	3.6	XUM-02-20
25	28	40	5.0	1.0	2.0	4.1	XUM-02-25
30	34	50	5.0	1.0	2.0	4.1	XUM-02-30
40	44	60	6.0	1.5	2.5	5.1	XUM-02-40



Can be combined with:



RJUM-02



RJUM-01-ES



RJUM-05/RJUME-05
TJUM-05/RJUMT-05



FJUMT-01/-02

My sketches

