

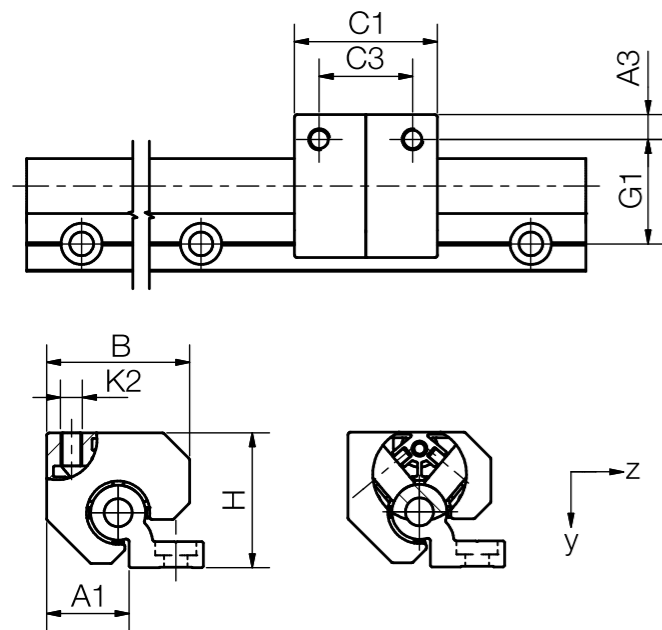


Order key

Type	Size	Material
------	------	----------

WJRM-21-10 - HKA

Hybrid roller bearing	Double roller bearing	Size 10	Material
			ES: Stainless steel (AISI 316Ti)
			ES-FG: Stainless steel precision casting AISI 316
			AL: Aluminium



Technical data and dimensions [mm]

Part No.	Weight	A1	A3	B	C1	C3	G1	H	K2 for screw	Kz
	[g]									Max.
WJRM-21-10-HKA	115	16.5	6.5	31	35	22	27	28	M6	25
WJRM-21-16-HKA	250	25	9	44	48	30	32	41	M8	25
WJRM-21-20-HKA	320	30	9	52	52	34	38	49	M8	25

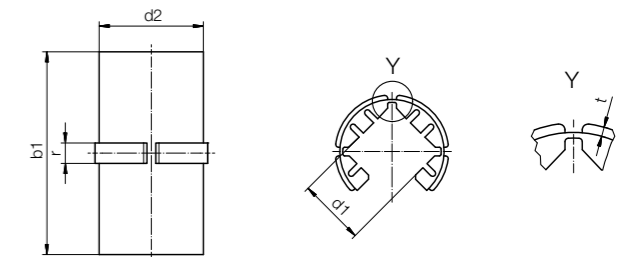
drylin® W plastic liners – long, open design



Size	Material	Pillow blocks	Liners Part No.	in the drylin® R-Chapter
10/16/20/25 (standard)	iglidur® J200	WJ200UM-01-Ø	J200UMO-01-Ø ⁷⁰⁾	► Page 1086
10/16/20/25	iglidur® J	WJUM-01-Ø	JUMO-01-Ø	► Page 1080
10/16/20/25 (High temperature)	iglidur® X	WXUM-01-Ø	XUMO-01-Ø	► Page 1091
10/16/20/25	iglidur® E7	WE7UM-01-Ø	E7UMO-01-Ø	► Page 1088

⁷⁰⁾ Available also as floating bearing, Part No. J200UMO-01-Ø-LL

drylin® W liners – long design, square

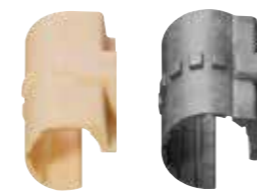


Dimensions [mm]

Part No.	d1	d1 tolerance	d2	b1	r	t
J200QM-01-06	5.0	+0.020 +0.080	8	19	3.0	0.5
J200QM-01-10	7.5	+0.020 +0.080	12	28	3.0	0.8
J200QM-01-16	11.5	+0.020 +0.080	18	35	3.0	0.8
J200QM-01-20	15.0	+0.020 +0.080	23	44	3.5	0.8

Available also as floating bearing J200QM-01-Ø-LLZ (z-direction), J200QM-01-Ø-LLY (y-direction)

drylin® W plastic liners – adjustable



Size	Material	Pillow blocks	Liners Part No.
10 (adjustable)	iglidur® J	WJUME-01-10	JUME-01-10
16/20 (adjustable)	iglidur® J200	WJ200UME-01-Ø	J200UME-01-Ø