



SKINTOP® ST-M / SKINTOP® STR-M



Info

- Now with IP69 approval! Proven to withstand the most demanding cleaning procedures for industrial machinery with high-pressure cleaners and hot water!

Benefits

SKINTOP® ST-M

- High oil-resistance for maximum reliability
- Permanent vibration protection
- Wide, variable clamping ranges
- Optimum strain relief
- Various accessories (e.g. multiple sealing inserts)

Application range

SKINTOP® ST-M

- Used in areas where cables and wires need to be safely inserted into housings
- Machine and equipment manufacturing
- Photovoltaic
- Automation technology
- Offshore platforms, equipment and shipyards

SKINTOP® STR-M

- With reducing seal insert, to seal cables with smaller outer diameters.

Norm references / Approvals

- UL File Nr. E79903
- GGVS: TÜ.EGG.020-95

Product Make-up

- Metric connection thread acc. to DIN EN 60423
- Basis for technical information EN 50262

Note

- Refer to SKINTOP® metric accessories for suitable accessories
- Counter nut to be used: SKINTOP® GMP-GL-M
- SKINTOP® ST(R) M ISO types have an extra-long connection thread
- SKINTOP® ST(R) M ISO versions with extra-long connection thread, see table, no DNV approval

Suitable cables

- The following cables are recommended for IP 69 applications: ÖLFLEX® ROBUST 200 H07RN8-F H07RN-F

Suitable tools

- SKINMATIC® QUICK Set 1 refer to page 782
- SKINMATIC® RZ refer to page 783
- SKINMATIC® MH Set refer to page 782

Technical data

Classification
ETIM 5.0 Class-ID: EC000441
ETIM 5.0 Class-Description: Cable screw gland

Caution SKINTOP® ST-M
Refer to Appendix T21 for the installation dimensions and torques
Size M 40 x 1,5 up tp M 63 x 1,5 with O-ring
SKINTOP® STR-M
Refer to Appendix T21 for the installation dimensions and torques

Colour delivered
Silver grey (RAL 7001)
Light grey (RAL 7035)
Black (RAL 9005), UV-resistant

Material
Body: Polyamide
Seal: CR

Tests
GGVS: TÜ.EGG.020-95

Protection rating
IP 68 - 5 bar
IP 69

Temperature range
Fixed: -40°C to +100°C
Dynamic: -20°C to +100°C

Article number	Article designation / size	Clamping range ØF (mm)	SW wrench size mm	Overall length, C (mm)	Thread length, D (mm)	Pieces / PU
SKINTOP® ST-M silver grey						
53111000	ST-M 12 x 1,5	3,5-7	15	30.0	8	100
53111010	ST-M 16 x 1,5	4,5-10	19	34.0	8	100
53111020	ST-M 20 x 1,5	7-13	25	37.0	9	100
53111030	ST-M 25 x 1,5	10-17	30	40.0	10	50
53111040	ST-M 32 x 1,5	11-21	36	47.0	10	25
53111050	ST-M 40 x 1,5	19-28	46	52.0	10	10
53111060	ST-M 50 x 1,5	27-35	55	62.0	12	5
53111070	ST-M 63 x 1,5	34-45	66	71.0	12	5
SKINTOP® ST-M black						
53111200	ST-M 12 x 1,5	3,5-7	15	30.0	8	100
53111210	ST-M 16 x 1,5	4,5-10	19	34.0	8	100
53111220	ST-M 20 x 1,5	7-13	25	37.0	9	100
53111230	ST-M 25 x 1,5	10-17	30	40.0	10	50
53111240	ST-M 32 x 1,5	11-21	36	47.0	10	25
53111250	ST-M 40 x 1,5	19-28	46	52.0	10	10
53111260	ST-M 50 x 1,5	27-35	55	62.0	12	5
53111270	ST-M 63 x 1,5	34-45	66	71.0	12	5
SKINTOP® ST-M light grey						
53111400	ST-M 12 x 1,5	3,5-7	15	30.0	8	100
53111410	ST-M 16 x 1,5	4,5-10	19	34.0	8	100
53111420	ST-M 20 x 1,5	7-13	25	37.0	9	100
53111430	ST-M 25 x 1,5	10-17	30	40.0	10	50
53111440	ST-M 32 x 1,5	11-21	36	47.0	10	25
53111450	ST-M 40 x 1,5	19-28	46	52.0	10	10
53111460	ST-M 50 x 1,5	27-35	55	62.0	12	5
53111470	ST-M 63 x 1,5	34-45	66	71.0	12	5

Article number	Article designation / size	Clamping range ØF (mm)	SW wrench size mm	Overall length, C (mm)	Thread length, D (mm)	Pieces / PU
SKINTOP® ST M ISO silver-grey (with long metric connecting thread)						
53017010	ST M 16 x 1,5	3,5-8	19	40,0	12	100
53017030	ST M 20 x 1,5	5-12	24	45,0	13	100
53017040	ST M 25 x 1,5	9-14	27	47,0	13	50
SKINTOP® ST M ISO black (with long metric connecting thread)						
53010000	ST-M 12 x 1,5	3,5-7	15	36,7	15	100
53017210	ST M 16 x 1,5	3,5-8	19	40,0	12	100
53017230	ST M 20 x 1,5	5-12	24	45,0	13	100
53017240	ST M 25 x 1,5	9-14	27	47,0	13	50
SKINTOP® STR-M silver grey						
53111100	STR-M 12 x 1,5	1-5	15	30,0	8	100
53111110	STR-M 16 x 1,5	2-7	19	34,0	8	100
53111120	STR-M 20 x 1,5	5-10	25	37,0	9	100
53111130	STR-M 25 x 1,5	6-13	30	40,0	10	50
53111140	STR-M 32 x 1,5	7-15	36	47,0	10	25
53111150	STR-M 40 x 1,5	15-23	46	52,0	10	10
53111160	STR-M 50 x 1,5	22-29	55	62,0	12	5
53111170	STR-M 63 x 1,5	28-39	66	71,0	12	5
SKINTOP® STR-M black						
53111300	STR-M 12 x 1,5	1-5	15	30,0	8	100
53111310	STR-M 16 x 1,5	2-7	19	34,0	8	100
53111320	STR-M 20 x 1,5	5-10	25	37,0	9	100
53111330	STR-M 25 x 1,5	6-13	30	40,0	10	50
53111340	STR-M 32 x 1,5	7-15	36	47,0	10	25
53111350	STR-M 40 x 1,5	15-23	46	52,0	10	10
53111360	STR-M 50 x 1,5	22-29	55	62,0	12	5
53111370	STR-M 63 x 1,5	28-39	66	71,0	12	5
SKINTOP® STR-M light grey						
53111500	STR-M 12 x 1,5	1-5	15	30,0	8	100
53111510	STR-M 16 x 1,5	2-7	19	34,0	8	100
53111520	STR-M 20 x 1,5	5-10	25	37,0	9	100
53111530	STR-M 25 x 1,5	6-13	30	40,0	10	50
53111540	STR-M 32 x 1,5	7-15	36	47,0	10	25
53111550	STR-M 40 x 1,5	15-23	46	52,0	10	10
53111560	STR-M 50 x 1,5	22-29	55	62,0	12	5
53111570	STR-M 63 x 1,5	28-39	66	71,0	12	5
SKINTOP® STR M ISO silver-grey (with long metric connecting thread)						
53017110	STR M 16 x 1,5	2-6	19	40,0	12	100
53017130	STR M 20 x 1,5	4-9	24	45,0	13	100
53017140	STR M 25 x 1,5	6-12	27	47,0	13	50
SKINTOP® STR M ISO black (with long metric connecting thread)						
53017310	STR M 16 x 1,5	2-6	19	40,0	12	100
53017330	STR M 20 x 1,5	4-9	24	45,0	13	100
53017340	STR M 25 x 1,5	6-12	27	47,0	13	50

Photographs are not to scale and do not represent detailed images of the respective products.

Accessories

SKINTOP® ST-M

- SKINTOP® DIX-M refer to page 740
- SKINTOP® GMP-GL-M refer to page 738
- SKINTOP® DIX-M AUTOMATION refer to page 741
- SKINTOP® SDV-M ATEX refer to page 731
- SKINTOP® SD-M refer to page 742
- SKINTOP® DV-M refer to page 742

SKINTOP® STR-M

- SKINTOP® DIX-M refer to page 740
- SKINTOP® GMP-GL-M refer to page 738
- SKINTOP® DIX-M AUTOMATION refer to page 741

SKINTOP® metric plastic cable glands • SKINTOP® Standard



SKINTOP® ST-M SORTIMO® T-BOXX



i Info

- Optimal order in the practical SORTIMO® T-BOXX
- The brand for universal cable gland according to the principle: quickly fixed, centered and hermetically sealed

Benefits

- High oil-resistance for maximum reliability
- Wide, variable clamping ranges
- Easy to install
- Permanent vibration protection
- Optimum strain relief

Application range

- Control cabinet manufacturing
- Automation technology
- Measurement, control and electrical applications
- Air-conditioning technology

Product features

- Optimal order in the practical SORTIMO® T-BOXX
- Small packaging unit, wide variety
- Light and robust, shock- and impact-resistant polypropylene case
- Two sturdy locks - ideal for mounting use e.g. building site

Norm references / Approvals

- UL File Nr. E79903

Product Make-up

- Metric connection thread acc. to DIN EN 60423
- Basis for technical information EN 50262

Note

- To refill standard packaging units are available

Included

- Delivery in SORTIMO® T-BOXX
- Inclusive counter nuts SKINTOP® GMP-GL-M
- Assembly instructions
- 50 Pcs. SKINTOP® ST-M M12 Art.No. 53111400
- 50 Pcs. SKINTOP® ST-M M16 Art.No. 53111410
- 40 Pcs. SKINTOP® ST-M M20 Art.No. 53111420
- 25 Pcs. SKINTOP® ST-M M25 Art.No. 53111430
- 9 Pcs. SKINTOP® ST-M M32 Art.No. 53111440

Technical data

ETIM Classification
ETIM 5.0 Class-ID: EC000441
ETIM 5.0 Class-Description: Cable screw gland

Caution
Refer to Appendix T21 for the installation dimensions and torques

RAL Colour delivered
Light grey (RAL 7035)

Material
Body: Polyamide
Seal: CR

Tests
GGVS: TÜ.EGG.020-95

IP Protection rating
IP 68 - 5 bar
IP 69

Temperature range
Dynamic: -20°C to +100°C
Fixed: -40°C to +100°C

Article number	Article designation / size	Pieces / PU
SKINTOP® ST-M SORTIMO® T-BOXX		
53110030	SKINTOP® ST-M SORTIMO® T-BOXX	1

Other colours are available upon request.
Photographs are not to scale and do not represent detailed images of the respective products.



Info

- The most innovative cable insertion system in the market for a fast and highly flexible assembly. Simply click in - turn to the left - turn to the right - finished. The result: fixed, centred, strain-relieved fitting and maximum protection class in a few seconds.



Benefits

- Fewer parts, counter nut no longer needed
- Save up to 70% of the time with the innovative CLICK system
- Simple, free assembly in any position
- Vibration protection
- No thread required

SKINTOP® CLICK-R

- With reducing seal insert, to seal cables with smaller outer diameters.

Norm references / Approvals

- UL File Nr. E79903

Included

- Included: disassembly tool

Technical data

Classification
 ETIM 5.0 Class-ID: EC000441
 ETIM 5.0 Class-Description: Cable screw gland

Colour delivered
 Silver grey (RAL 7001)
 Light grey (RAL 7035)
 Black (RAL 9005), UV-resistant

Material
 Body: special polyamide
 Seal: special elastomer

Protection rating
SKINTOP® CLICK
 IP 68 - 4 bar (M12)
 IP 68 - 5 bar (M16 - M32)

Temperature range
 Dynamic: -20°C to +100°C
 Fixed: -40°C to +100°C

Article number	Article designation / size	Clamping range ØF (mm)	M (hole in mm)	SW1/SW2 mm	Overall length, C (mm)	Thread length, D (mm)	Wall thickness, S (mm)	Pieces / PU
SKINTOP® CLICK light grey								
53112692	CLICK 12	4.5 - 7	12.3 (-0.2)	15 / 18	40.0	8	1.0 - 4.0	50
53112686	CLICK 16	5 - 9	16.3 (-0.2)	19 / 22	42.0	8	1.0 - 4.0	50
53112687	CLICK 20	7 - 13	20.3 (-0.2)	25 / 27	45.5	8	1.0 - 4.0	25
53112688	CLICK 25	9 - 17	25.3 (-0.2)	30 / 34	48.5	8	1.0 - 4.0	25
53112694	CLICK 32	11 - 21	32.3 (-0.2)	36 / 40	55.0	8	1.0 - 4.0	25
SKINTOP® CLICK silver grey								
53112921	CLICK 12	4.5 - 7	12.3 (-0.2)	15 / 18	40.0	8	1.0 - 4.0	50
53112876	CLICK 16	5 - 9	16.3 (-0.2)	19 / 22	42.0	8	1.0 - 4.0	50
53112877	CLICK 20	7 - 13	20.3 (-0.2)	25 / 27	45.5	8	1.0 - 4.0	25
53112878	CLICK 25	9 - 17	25.3 (-0.2)	30 / 34	48.5	8	1.0 - 4.0	25
53112922	CLICK 32	11 - 21	32.3 (-0.2)	36 / 40	55.0	8	1.0 - 4.0	25
SKINTOP® CLICK black								
53112923	CLICK 12	4.5 - 7	12.3 (-0.2)	15 / 18	40.0	8	1.0 - 4.0	50
53112882	CLICK 16	5 - 9	16.3 (-0.2)	19 / 22	42.0	8	1.0 - 4.0	50
53112883	CLICK 20	7 - 13	20.3 (-0.2)	25 / 27	45.5	8	1.0 - 4.0	25
53112884	CLICK 25	9 - 17	25.3 (-0.2)	30 / 34	48.5	8	1.0 - 4.0	25
53112924	CLICK 32	11 - 21	32.3 (-0.2)	36 / 40	55.0	8	1.0 - 4.0	25
SKINTOP® CLICK-R light grey								
53112925	CLICK-R 12	3.5 - 5	12.3 (-0.2)	15 / 18	40.0	8	1.0 - 4.0	50
53112689	CLICK-R 16	4 - 7	16.3 (-0.2)	19 / 22	42.0	8	1.0 - 4.0	50
53112690	CLICK-R 20	5 - 10	20.3 (-0.2)	25 / 27	45.5	8	1.0 - 4.0	25
53112691	CLICK-R 25	6 - 13	25.3 (-0.2)	30 / 34	48.5	8	1.0 - 4.0	25
53112926	CLICK-R 32	7 - 15	32.3 (-0.2)	36 / 40	55.0	8	1.0 - 4.0	25
SKINTOP® CLICK-R silver grey								
53112927	CLICK-R 12	3.5 - 5	12.3 (-0.2)	15 / 18	40.0	8	1.0 - 4.0	50
53112879	CLICK-R 16	4 - 7	16.3 (-0.2)	19 / 22	42.0	8	1.0 - 4.0	50
53112880	CLICK-R 20	5 - 10	20.3 (-0.2)	25 / 27	45.5	8	1.0 - 4.0	25
53112881	CLICK-R 25	6 - 13	25.3 (-0.2)	30 / 34	48.5	8	1.0 - 4.0	25
53112928	CLICK-R 32	7 - 15	32.3 (-0.2)	36 / 40	55.0	8	1.0 - 4.0	25
SKINTOP® CLICK-R black								
53112929	CLICK-R 12	3.5 - 5	12.3 (-0.2)	15 / 18	40.0	8	1.0 - 4.0	50
53112885	CLICK-R 16	4 - 7	16.3 (-0.2)	19 / 22	42.0	8	1.0 - 4.0	50
53112886	CLICK-R 20	5 - 10	20.3 (-0.2)	25 / 27	45.5	8	1.0 - 4.0	25
53112887	CLICK-R 25	6 - 13	25.3 (-0.2)	30 / 34	48.5	8	1.0 - 4.0	25
53112931	CLICK-R 32	7 - 15	32.3 (-0.2)	36 / 40	55.0	8	1.0 - 4.0	25

Photographs are not to scale and do not represent detailed images of the respective products.

Accessories

SKINTOP® CLICK

- SKINTOP® DIX-M refer to page 740
- SKINTOP® DIX-M AUTOMATION refer to page 741
- SKINTOP® SDV-M ATEX refer to page 731
- SKINTOP® SD-M refer to page 742
- SKINTOP® DV-M refer to page 742

SKINTOP® CLICK-R

- SKINTOP® DIX-M refer to page 740



SKINTOP® CLICK SORTIMO® T-BOXX



Info

- The most innovative cable insertion system in the market for a fast and highly flexible assembly. Simply click in - turn to the left - turn to the right - finished. The result: fixed, centred, strain-relieved fitting and maximum protection class in a few seconds.
- Optimal order in the practical SORTIMO® T-BOXX

Benefits

- Fewer parts, counter nut no longer needed
- Save up to 70% of the time with the innovative CLICK system
- Simple, free assembly in any position
- Vibration protection
- No thread required

Application range

- Automation technology
- Solar applications
- Control cabinet manufacturing
- Air-conditioning technology
- Measurement, control and electrical applications

Product features

- Optimal order in the practical SORTIMO® T-BOXX
- Small packaging unit, wide variety
- Light and robust, shock- and impact-resistant polypropylene case
- Two sturdy locks - ideal for mounting use e.g. building site

Norm references / Approvals

- UL File Nr. E79903

Note

- To refill standard packaging units are available

Included

- Included in all sizes: disassembly tool
- Delivery in SORTIMO® T-BOXX
- Assembly instructions
- SKINTOP® CLICK M12 / 40 Piece (Part.No. 53112692)
- SKINTOP® CLICK M16 / 55 Piece (Part.No. 53112686)
- SKINTOP® CLICK M20 / 25 Piece (Part.No. 53112687)
- SKINTOP® CLICK M25 / 25 Piece (Part.No. 53112688)
- SKINTOP® CLICK M32 / 9 Piece (Part.No. 53112694)

Technical data

Classification
ETIM 5.0 Class-ID: EC000441
ETIM 5.0 Class-Description: Cable screw gland

Colour delivered
Light grey (RAL 7035)

Material
Body: special polyamide
Seal: special elastomer

Protection rating
IP 68 - 4 bar (M12)
IP 68 - 5 bar (M16 - M32)

Temperature range
Dynamic: -20°C to +100°C
Fixed: -40°C to +100°C

Article number	Article designation / size	Pieces / PU
SKINTOP® CLICK SORTIMO® T-BOXX		
53112695	SKINTOP® CLICK SORTIMO® BOXX	1

Photographs are not to scale and do not represent detailed images of the respective products.

Accessories

- SKINTOP® CLICK refer to page 715



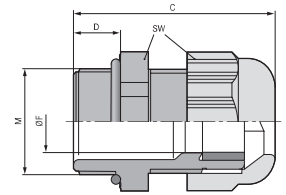
SKINTOP® SOLAR / SKINTOP® SOLAR plus

SKINTOP® for photovoltaics



Info

- Cable gland for photovoltaik applications, based on EN 50262, EN 50548 and UL 1703.
- Extended temperature range



Benefits

- UV and ozone-resistant
- UL 746 C - UL F1 outdoor use
- High strain relief
- Permanent vibration protection
- Extremely flame-retardant according to UL 94V-0 / 94-5VA

Application range

- Photovoltaic plants and solar parks

Norm references / Approvals

- UL File Nr. E79903

Product Make-up

- Metric connection thread acc. to DIN EN 60423
- Basis for technical information EN 50262

Note

SKINTOP® SOLAR plus

- Counter nut to be used: SKINTOP® GMP-GL-M

Suitable cables

- ÖLFLEX® SOLAR

Suitable tools

- SKINMATIC® RZ
- SKINMATIC® QUICK SET 1

Technical data



Classification
ETIM 5.0 Class-ID: EC000441
ETIM 5.0 Class-Description:
Cable screw gland



Caution
Refer to Appendix T21 for the installation dimensions and torques



Colour delivered
RAL 9005 black/UV-resistant



Material
SKINTOP® SOLAR
Body: Polycarbonate
Seal: CR
SKINTOP® SOLAR plus
Body: Polycarbonate
Seal: Silicone
O-Ring: Silicone

Tests
Cold impact test according to UL 1703/UL 746 C



Protection rating
IP 68 - 5 bar



Temperature range
SKINTOP® SOLAR
-40°C to +100°C
SKINTOP® SOLAR plus
-40°C to +125°C

Article number	Article designation / size	Clamping range ØF (mm)	SW wrench size mm	Overall length, C (mm)	Thread length, D (mm)	Pieces / PU
SKINTOP® SOLAR						
53113300	SOLAR M12x1,5	3,5-7	15	36.0	15	100
53113310	SOLAR M16x1,5	7-9	19	34.0	8	100
SKINTOP® SOLAR plus						
53113321	SOLAR plus M12x1,5	3,5-7	15	36.0	15	100
53113331	SOLAR plus M16x1,5	7-9	19	34.0	8	100

Photographs are not to scale and do not represent detailed images of the respective products.

Accessories

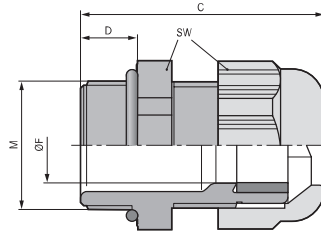
SKINTOP® SOLAR

- SKINTOP® GMP-GL-M refer to page 738



SKINTOP® ST-HF-M

SKINTOP® halogen-free



Info

- Cable gland for railway applications
- Fire protection on railway vehicles
Approval according to
DIN EN 45545-2:2013

Benefits

- Maximum reliability
- Extremely flame-retardant according to UL 94 V0
- Completely halogen-free (including sealing material)
- Self-extinguishing, no dripping
- Permanent vibration protection

Application range

- When the protection of people and property is a priority.
- Public buildings
- Ventilation systems
- Tunnel construction
- Underground railways and trains

Norm references / Approvals

- DIN EN 45545-2:2013

Product Make-up

- Metric connection thread acc. to DIN EN 60423
- Basis for technical information EN 50262

Technical data

Classification
ETIM 5.0 Class-ID: EC000441
ETIM 5.0 Class-Description:
Cable screw gland

Caution
Refer to Appendix T21 for the installation dimensions and torques

Colour delivered
Light grey (RAL 7035)

Material
Polyamide UL 94V-0 - halogen-free
Sealing ring: LSE 1 - halogen-free
O-ring: LSE 1 - halogen-free

Tests
Filament wire test
EN 60695-2-1/1
+960°C

Protection rating
IP 68 - 5 bar

Temperature range
-20°C to +100°C

Article number	Article designation / size	Clamping range ØF (mm)	SW wrench size mm	Overall length, C (mm)	Thread length, D (mm)	Pieces / PU
SKINTOP® ST-HF-M						
53111407	ST-HF-M 12 x 1,5	3,5-7	15	30.0	8	100
53111417	ST-HF-M 16 x 1,5	4,5-9	19	34.0	8	100
53111427	ST-HF-M 20 x 1,5	7-13	25	37.0	9	100
53111437	ST-HF-M 25 x 1,5	9-17	30	40.0	10	50
53111447	ST-HF-M 32 x 1,5	11-21	36	47.0	10	25
53111457	ST-HF-M 40 x 1,5	19-28	46	52.0	10	10
53111467	ST-HF-M 50 x 1,5	27-35	55	62.0	12	5
53111477	ST-HF-M 63 x 1,5	34-45	66	71.0	12	5

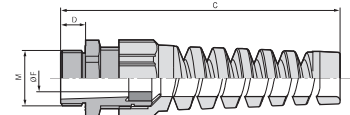
Photographs are not to scale and do not represent detailed images of the respective products.

Accessories

- SKINTOP® GMP-HF-M refer to page 739



SKINTOP® BS-M



Benefits

- Reliable bending and anti-kink protection
- Cable conservation
- Functional reliability
- To protect flexible cables

Application range

- Cables for electrical appliances and machinery that are moved under normal use must be protected against excessive bending as required in accordance with VDE 0700-1
- Handheld device
- Robotics industry
- Light and sound applications
- Moving machine parts

Norm references / Approvals

- UL File Nr. E79903

Product Make-up

- Metric connection thread acc. to DIN EN 60423
- Basis for technical information EN 50262

Note

- Refer to SKINTOP® metric accessories for suitable accessories
- Counter nut to be used: SKINTOP® GMP-GL-M
- Version with reducing insert to seal smaller cable cross-sections SKINTOP® BSR-M on request
- SKINTOP® BS M ISO versions with extra-long connection thread, see table, no DNV approval

Technical data

- ETIM** **Classification**
ETIM 5.0 Class-ID: EC000441
ETIM 5.0 Class-Description: Cable screw gland
- Caution**
Refer to Appendix T21 for the installation dimensions and torques
- On request**
with reducing sealing ring
- RAL** **Colour delivered**
Silver grey (RAL 7001)
Light grey (RAL 7035)
Black (RAL 9005), UV-resistant
- Material**
Body: Polyamide
Seal: CR
- IP** **Protection rating**
IP 68 - 5 bar
- Temperature range**
-20°C to +100°C

Article number	Article designation / size	Clamping range ØF (mm)	SW wrench size mm	Overall length, C (mm)	Thread length, D (mm)	Pieces / PU
SKINTOP® BS-M silver grey						
53111600	BS-M 12x1,5	3,5-7	15	64.0	8	100
53111610	BS-M 16x1,5	4,5-10	19	86.0	8	100
53111620	BS-M 20x1,5	7-13	25	101.0	8	50
53111630	BS-M 25x1,5	9-17	30	125.0	9	25
53111640	BS-M 32x1,5	11-21	36	149.0	10	25
SKINTOP® BS-M black						
53111700	BS-M 12x1,5	3,5-7	15	64.0	8	100
53111710	BS-M 16x1,5	4,5-10	19	86.0	8	100
53111720	BS-M 20x1,5	7-13	25	101.0	8	50
53111730	BS-M 25x1,5	9-17	30	125.0	9	25
53111740	BS-M 32x1,5	11-21	36	149.0	10	25
SKINTOP® BS-M light grey						
53111800	BS-M 12x1,5	3,5-7	15	64.0	8	100
53111810	BS-M 16x1,5	4,5-10	19	86.0	8	100
53111820	BS-M 20x1,5	7-13	25	101.0	8	50
53111830	BS-M 25x1,5	9-17	30	125.0	9	25
53111840	BS-M 32x1,5	11-21	36	149.0	10	25
SKINTOP® BS M ISO silver-grey (with long metric connecting thread)						
53017610	BS M 16 x 1,5 ISO	3,5-8	19	77.5	12	100
53017630	BS M 20 x 1,5 ISO	5-12	24	102.0	13	50
53017640	BS M 25 x 1,5 ISO	9-14	27	114.5	13	50
SKINTOP® BS M ISO black (with long metric connecting thread)						
53017810	BS M 16 x 1,5 ISO	3,5-8	19	77.5	12	100
53017830	BS M 20 x 1,5 ISO	5-12	24	102.0	13	50
53017840	BS M 25 x 1,5 ISO	9-14	27	114.5	13	50

Photographs are not to scale and do not represent detailed images of the respective products.

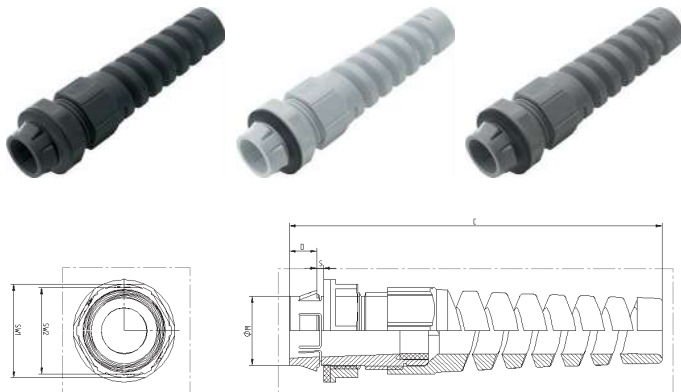
Accessories

- SKINTOP® GMP-GL-M refer to page 738

SKINTOP® metric plastic cable glands • SKINTOP® bending protection



SKINTOP® CLICK BS



Info

- The most innovative cable insertion system in the market for a fast and highly flexible assembly. Simply click in - turn to the left - turn to the right - finished. The result: fixed, centred, strain-relieved fitting and maximum protection class in a few seconds.

Benefits

- Reliable bending protection for cable conservation and functional reliability
- Save up to 70% of the time with the innovative CLICK system
- No thread required
- To protect flexible cables
- Fewer parts, counter nut no longer needed

Application range

- Cables for electrical appliances and machinery that are moved under normal use must be protected against excessive bending as required in accordance with VDE 0700-1
- Robotics industry
- Moving machine parts
- Apparatus construction
- Light and sound applications

Norm references / Approvals

- UL File Nr. E79903

Included

- Included: disassembly tool

Technical data

Classification
ETIM 5.0 Class-ID: EC000441
ETIM 5.0 Class-Description: Cable screw gland

Colour delivered
Silver grey (RAL 7001)
Light grey (RAL 7035)
Black (RAL 9005), UV-resistant

Material
Body: special polyamide
Seal: special elastomer

Protection rating
IP 68 - 4 bar (M12)
IP 68 - 5 bar (M16 - M32)

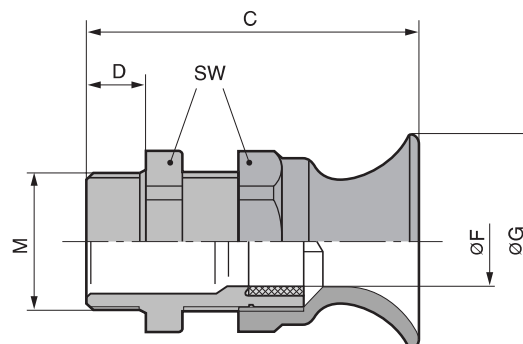
Temperature range
-20°C to +100°C

Article number	Article designation / size	Clamping range ØF (mm)	M (hole in mm)	SW1/SW2 mm	Overall length, C (mm)	Thread length, D (mm)	Wall thickness, S (mm)	Pieces / PU
SKINTOP® CLICK BS light grey								
53112932	CLICK BS 12	4,5-7	12.3 (-0.2)	18 / 15	74.0	8	1.0 - 4.0	50
53112888	CLICK BS 16	5-9	16.3 (-0.2)	22 / 19	94.0	8	1.0 - 4.0	50
53112889	CLICK BS 20	7-13	20.3 (-0.2)	27 / 25	108.0	8	1.0 - 4.0	25
53112890	CLICK BS 25	9-17	25.3 (-0.2)	32 / 30	127.0	8	1.0 - 4.0	25
53112933	CLICK BS 32	11-21	32.3 (-0.2)	40 / 36	155.0	8	1.0 - 4.0	25
SKINTOP® CLICK BS silver grey								
53112934	CLICK BS 12	4,5-7	12.3 (-0.2)	18 / 15	74.0	8	1.0 - 4.0	50
53112906	CLICK BS 16	5-9	16.3 (-0.2)	22 / 25	94.0	8	1.0 - 4.0	50
53112907	CLICK BS 20	7-13	20.3 (-0.2)	27 / 25	108.0	8	1.0 - 4.0	25
53112908	CLICK BS 25	9-17	25.3 (-0.2)	32 / 30	127.0	8	1.0 - 4.0	25
53112935	CLICK BS 32	11-21	32.3 (-0.2)	40 / 36	155.0	8	1.0 - 4.0	25
SKINTOP® CLICK BS black								
53112936	CLICK BS 12	4,5-7	12.3 (-0.2)	18 / 15	74.0	8	1.0 - 4.0	50
53112909	CLICK BS 16	5-9	16.3 (-0.2)	22 / 19	94.0	8	1.0 - 4.0	50
53112911	CLICK BS 20	7-13	20.3 (-0.2)	27 / 25	108.0	8	1.0 - 4.0	25
53112912	CLICK BS 25	9-17	25.3 (-0.2)	32 / 30	127.0	8	1.0 - 4.0	25
53112937	CLICK BS 32	11-21	32.3 (-0.2)	40 / 36	155.0	8	1.0 - 4.0	25

Photographs are not to scale and do not represent detailed images of the respective products.



SKINTOP® BT-M



Benefits

- Reliable bending and anti-kink protection
- Cable conservation
- Functional reliability
- To protect flexible cables

Application range

- Cables for electrical appliances and machinery that are moved under normal use must be protected against excessive bending as required in accordance with VDE 0700-1
- Handheld device
- Apparatus construction
- Light and sound applications
- Moving machine parts

Norm references / Approvals

- UL File Nr. E79903

Product Make-up

- Metric connection thread acc. to DIN EN 60423
- Basis for technical information EN 50262

Note

- Refer to SKINTOP® PG accessories for suitable accessories
- Counter nut to be used: SKINTOP® GMP-GL-M

Technical data

Classification
 ETIM 5.0 Class-ID: EC000441
 ETIM 5.0 Class-Description: Cable screw gland

Caution
 Refer to Appendix T21 for the installation dimensions and torques

Certifications
 Size M16 - cURus
 Size M20/M25 - cULus

Colour delivered
 Silver grey (RAL 7001)

Material
 Body: Polyamide
 Seal: CR

Protection rating
 IP 68 - 5 bar

Temperature range
 -20°C to +100°C

Article number	Article designation / size	Clamping range ØF (mm)	SW wrench size mm	Overall length, C (mm)	Thread length, D (mm)	Pieces / PU
SKINTOP® BT-M						
53017420	16 x 1,5	3,5-8	19	45.0	12	100
53017430	20 x 1,5	5-12	24	54.0	13	50
53017440	25 x 1,5	9-14	27	57.0	13	50

Photographs are not to scale and do not represent detailed images of the respective products.

Accessories

- SKINTOP® GMP-GL-M refer to page 738

ÖLFLEX®
 UNITRONIC®
 ETHERLINE®
 HITRONIC®
 EPIC®
 SKINTOP®
 SILVYN®
 FLEXIMARK®
 ACCESSORIES
 APPENDIX

SKINTOP® metric plastic cable glands • SKINTOP® explosion-proof



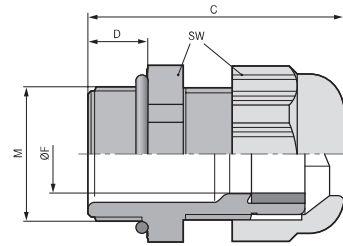
SKINTOP® K-M ATEX plus / SKINTOP® KR-M ATEX plus



SKINTOP® K-M ATEX plus



SKINTOP® KR-M ATEX plus



Benefits

SKINTOP® K-M ATEX plus

- High degree of protection
- Cold impact resistance
- High strain relief
- Wide, variable clamping ranges
- Permanent vibration protection

SKINTOP® KR-M ATEX plus

- For the benefits, refer to SKINTOP® K-M ATEX plus

Application range

SKINTOP® K-M ATEX plus

- Devices, machines and apparatus of enhanced safety protection type “e”
- Equipment group II / Category 2G+1D
- For mobile applications in offshore and marine industries
- Chemical and petrochemical industry

SKINTOP® KR-M ATEX plus

- With reducing seal insert, to seal cables with smaller outer diameters.

Product Make-up

- Metric connection thread acc. to DIN EN 60423
- Basis for technical information EN 50262

Technical data

Classification
 ETIM 5.0 Class-ID: EC000441
 ETIM 5.0 Class-Description:
 Cable screw gland

Caution
 Refer to the instruction leaflet for the installation dimensions and torques

Certifications
 CE 0637 Ex II 2G
 Ex eb IIC Ex II 1D
 Ex ta IIIC
 IECEx IBE 13.0027X

Colour delivered
 RAL 9005 black/UV-resistant

Material
 Body: special polyamide
 Seal: special elastomer
 O-ring: CR

Tests
 DIN EN 60079-0
 DIN EN 60079-7
 DIN EN 60079-31

Protection rating
 IP 68 - 10 bar

Temperature range
 -20°C to +80°C

Article number	Article designation / size	Clamping range ØF (mm)	Thread M	SW wrench size mm	Overall length, C (mm)	Thread length, D (mm)	Pieces / PU
SKINTOP® K-M ATEX plus							
54115200	K-M 12 ATEX plus	3-5,5	12 x 1,5	15	26,5 - 30,0	8	50
54115210	K-M 16 ATEX plus	7-9	16 x 1,5	19	29,0 - 34,0	8	50
54115220	K-M 20 ATEX plus	7-13	20 x 1,5	25	34,0 - 37,0	9	50
54115230	K-M 25 ATEX plus	11-17	25 x 1,5	30	35,0 - 40,0	10	25
54115240	K-M 32 ATEX plus	12-21	32 x 1,5	36	39,0 - 47,0	10	25
54115250	K-M 40 ATEX plus	19-28	40 x 1,5	46	43,0 - 52,0	10	10
54115260	K-M 50 ATEX plus	27-35	50 x 1,5	55	54,0 - 62,0	12	5
54115270	K-M 63 ATEX plus	36-45	63 x 1,5	66	59,0 - 71,0	12	5
SKINTOP® KR-M ATEX plus							
54115205	KR-M 12 ATEX plus	2-4	12 x 1,5	15	26,5 - 30,0	8	50
54115215	KR-M 16 ATEX plus	4-6	16 x 1,5	19	29,0 - 34,0	8	50
54115225	KR-M 20 ATEX plus	5-10	20 x 1,5	25	34,0 - 37,0	9	50
54115235	KR-M 25 ATEX plus	6-13	25 x 1,5	30	35,0 - 40,0	10	25
54115245	KR-M 32 ATEX plus	9-15	32 x 1,5	36	39,0 - 47,0	10	25
54115255	KR-M 40 ATEX plus	16-23	40 x 1,5	46	43,0 - 52,0	10	10
54115265	KR-M 50 ATEX plus	22-29	50 x 1,5	55	54,0 - 62,0	12	5
54115275	KR-M 63 ATEX plus	29-39	63 x 1,5	66	59,0 - 71,0	12	5

Photographs are not to scale and do not represent detailed images of the respective products.

Accessories

SKINTOP® K-M ATEX plus

- SKINTOP® SDV-M ATEX refer to page 731

SKINTOP® KR-M ATEX plus

- SKINTOP® SDV-M ATEX refer to page 731



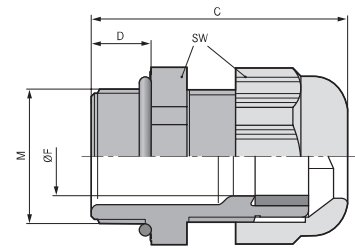
SKINTOP® K-M ATEX plus blue / SKINTOP® KR-M ATEX plus blue



SKINTOP® K-M ATEX plus blue



SKINTOP® KR-M ATEX plus blue



Benefits

SKINTOP® K-M ATEX plus blue

- High degree of protection
- Cold impact resistance
- High strain relief
- Wide, variable clamping ranges
- Permanent vibration protection

SKINTOP® KR-M ATEX plus blue

- For the benefits, refer to SKINTOP® K-M ATEX plus blue

Application range

SKINTOP® K-M ATEX plus blue

- Intrinsically safe circuits (class “i”) as well as in housings and devices that require class “e” safety.
- Equipment group II / Category 2G+1D
- For mobile applications in offshore and marine industries
- Chemical and petrochemical industry

SKINTOP® KR-M ATEX plus blue

- With reducing seal insert, to seal cables with smaller outer diameters.

Product Make-up

- Metric connection thread acc. to DIN EN 60423
- Basis for technical information EN 50262

Technical data

Classification
 ETIM 5.0 Class-ID: EC000441
 ETIM 5.0 Class-Description: Cable screw gland

Caution
 Refer to the instruction leaflet for the installation dimensions and torques

Certifications
 CE 0637 Ex II 2G
 Ex eb IIC Ex II 1D
 Ex ta IIIC
 IECEx IBE 13.0027X

Colour delivered
 Blue (RAL 5015)

Material
 Body: special polyamide
 Seal: special elastomer
 O-ring: CR

Tests
 DIN EN 60079-0
 DIN EN 60079-7
 DIN EN 60079-31

Protection rating
 IP 68 - 10 bar

Temperature range
 -20°C to +80°C

Article number	Article designation / size	Clamping range ØF (mm)	Thread M	SW wrench size mm	Overall length, C (mm)	Thread length, D (mm)	Pieces / PU
SKINTOP® K-M ATEX plus blue							
54115400	K-M 12 ATEX plus blue	3-5,5	12 x 1.5	15	26.5 - 30.0	8	50
54115410	K-M 16 ATEX plus blue	7-9	16 x 1.5	19	29.0 - 34.0	8	50
54115420	K-M 20 ATEX plus blue	7-13	20 x 1.5	25	34.0 - 37.0	9	50
54115430	K-M 25 ATEX plus blue	11-17	25 x 1.5	30	35.0 - 40.0	10	25
54115440	K-M 32 ATEX plus blue	12-21	32 x 1.5	36	39.0 - 47.0	10	25
54115450	K-M 40 ATEX plus blue	19-28	40 x 1.5	46	43.0 - 52.0	10	10
54115460	K-M 50 ATEX plus blue	27-35	50 x 1.5	55	54.0 - 62.0	12	5
54115470	K-M 63 ATEX plus blue	36-45	63 x 1.5	66	59.0 - 71.0	12	5
SKINTOP® KR-M ATEX plus blue							
54115405	KR-M 12 ATEX plus blue	2-4	12 x 1.5	15	26.5 - 30.0	8	50
54115415	KR-M 16 ATEX plus blue	4-6	16 x 1.5	19	29.0 - 34.0	8	50
54115425	KR-M 20 ATEX plus blue	5-10	20 x 1.5	25	34.0 - 37.0	9	50
54115435	KR-M 25 ATEX plus blue	6-13	25 x 1.5	30	35.0 - 40.0	10	25
54115445	KR-M 32 ATEX plus blue	9-15	32 x 1.5	36	39.0 - 47.0	10	25
54115455	KR-M 40 ATEX plus blue	16-23	40 x 1.5	46	43.0 - 52.0	10	10
54115465	KR-M 50 ATEX plus blue	22-29	50 x 1.5	55	54.0 - 62.0	12	5
54115475	KR-M 63 ATEX plus blue	29-39	63 x 1.5	66	59.0 - 71.0	12	5

Photographs are not to scale and do not represent detailed images of the respective products.

Accessories

SKINTOP® K-M ATEX plus blau

- SKINTOP® SDV-M ATEX refer to page 731

SKINTOP® KR-M ATEX plus blau

- SKINTOP® SDV-M ATEX refer to page 731