

Quiet operation, stronger and quicker to open



e-chains® | Series E2i.26 | Crossbars openable along the inner radius, from both sides
e-chains® | Series E2.26 | Crossbars openable along the outer radius, from both sides

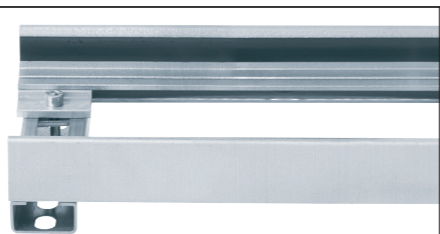
Part No. e-chains® openable along inner radius	Part No. e-chains® openable along outer radius	Bi [mm]	Ba [mm]	R Available bend radii [mm]	E2i.26 [kg/m]	E2.26 [kg/m]
E2i.26.025.R.0*	E2.26.025.R.0*	25	42	048 055 075 100 125 150 175 200 225 250	≈ 0.77	≈ 0.77
E2i.26.038.R.0*	E2.26.038.R.0	38	55	048 055 075 100 125 150 175 200 225 250	≈ 0.84	≈ 0.84
E2i.26.057.R.0*	E2.26.057.R.0	57	74	048 055 075 100 125 150 175 200 225 250	≈ 0.92	≈ 0.92
E2i.26.077.R.0*	E2.26.077.R.0	77	94	048 055 075 100 125 150 175 200 225 250	≈ 0.99	≈ 0.99
E2i.26.089.R.0*	E2.26.089.R.0*	89	106	048 055 075 100 125 150 175 200 225 250	≈ 1.03	≈ 1.03
E2i.26.103.R.0*	E2.26.103.R.0*	103	120	048 055 075 100 125 150 175 200 225 250	≈ 1.10	≈ 1.10
E2i.26.125.R.0*	E2.26.125.R.0*	125	142	048 055 075 100 125 150 175 200 225 250	≈ 1.19	≈ 1.19

*Width available upon request. Please consult igus® for delivery time.

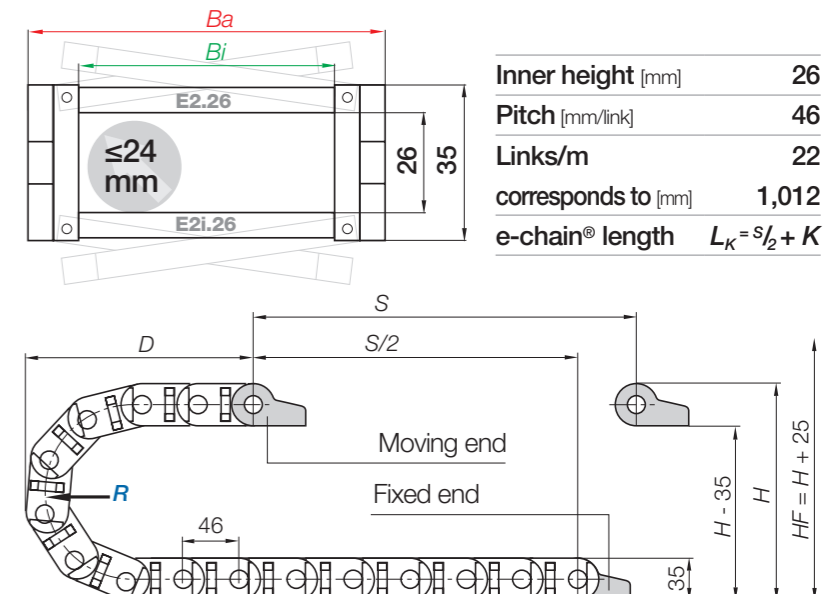
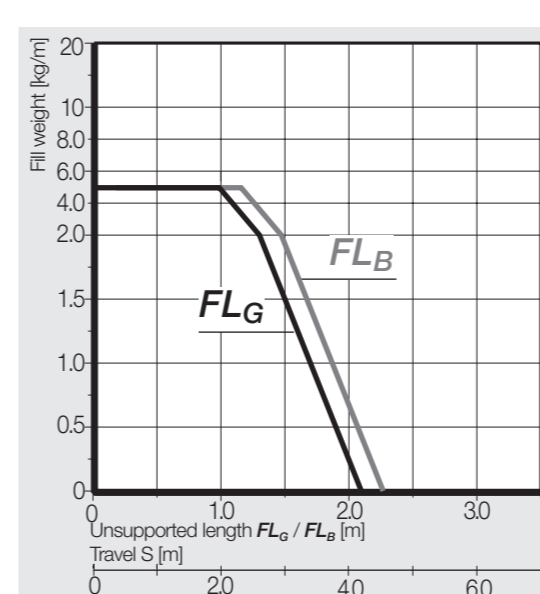
Complete Part No. with required radius (R). Example: **E2.26.038.048.0**

Aluminium support tray

- Corrosion-resistant and seawater-resistant aluminium rails with adjustable width
 - Noise-reducing glide strip integrated as standard
 - Easy installation and connection of the e-chain®
 - Open design - dirt and debris fall through
- More information ► From page 1270



Unsupported applications | Short travels

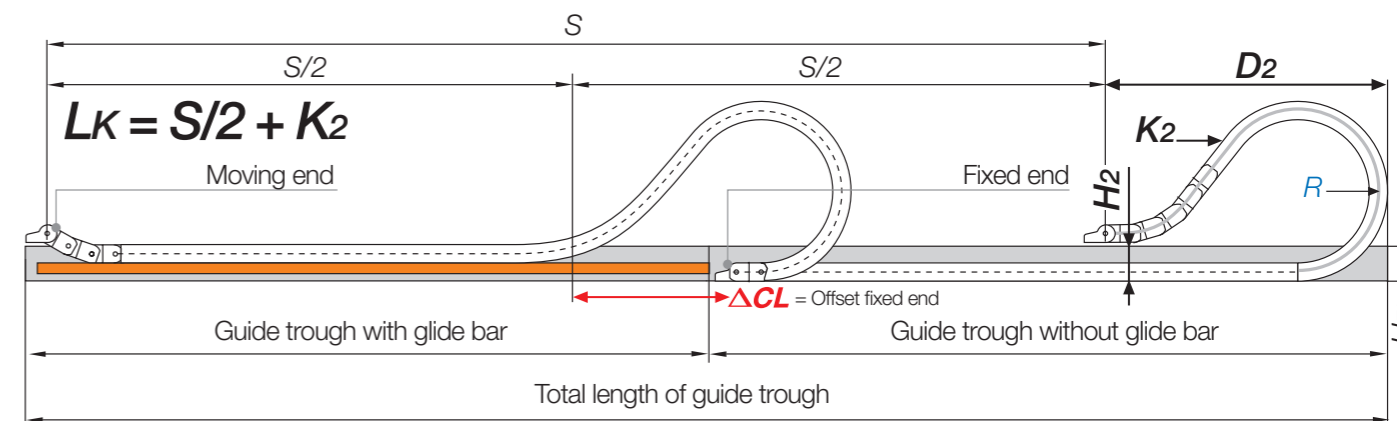


R	048	055	075	100	125	150	175	200	225	250
H	131	145	185	235	285	335	385	435	485	535
D	135	142	162	187	212	237	262	287	312	337
K	245	265	330	410	485	565	645	725	800	880

The required clearance height: $H_F = H + 25\text{mm}$ (with 1.5kg/m fill weight)

Before using series E2i.26 on long travels please consult igus®.

Gliding applications | For long travels from 10m to max. 100m



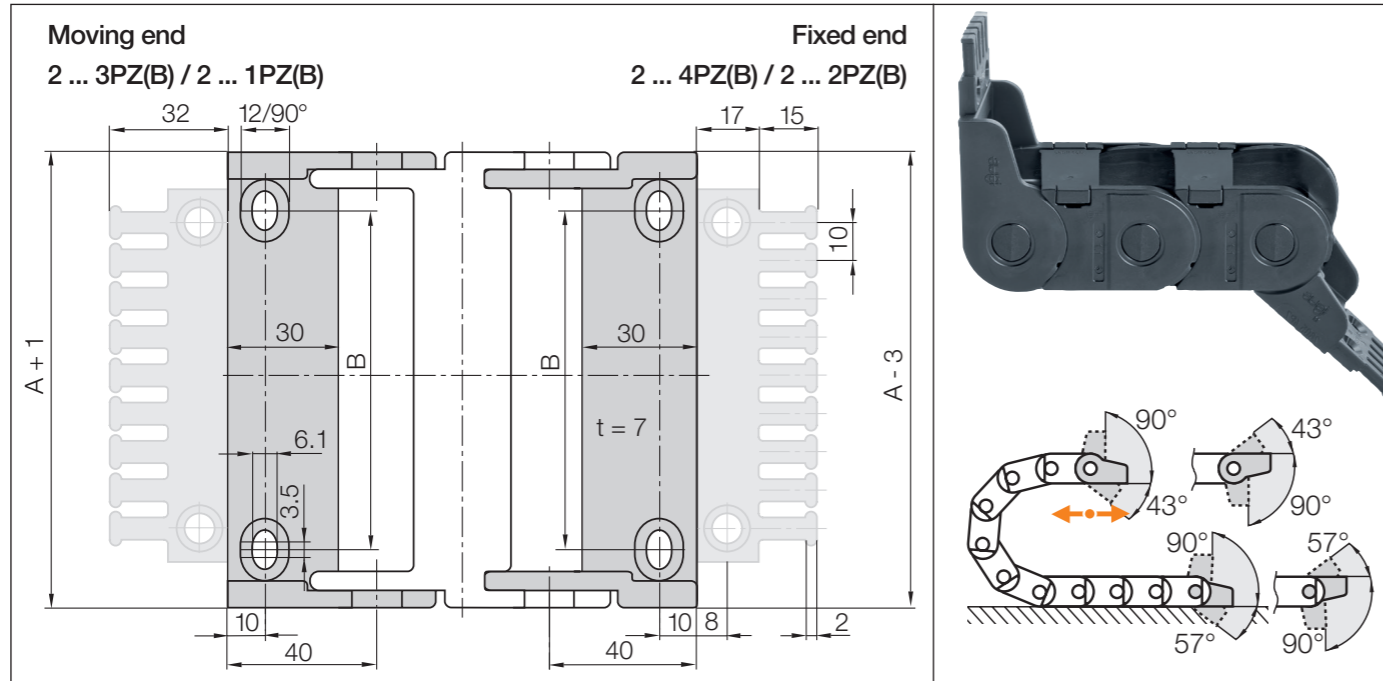
Note: Before using series E2i.26 on long travels please consult igus®.

For long travels, igus® recommends series E2.26 openable along the outer radius.

In case of travels between 4 and 10m we recommend an e-chain® with a longer unsupported length.

R	048	055	075	100	125	150	175	200	225	250
H ₂	131	110	150	100	100	100	100	100	100	100
D ₂ ⁺²⁵	135	145	162	380	440	590	755	950	1,040	1,130
K ₂	245	265	330	644	736	1,012	1,242	1,472	1,610	1,794
ΔCL	-	-	-	204	244	364	504	674	754	804

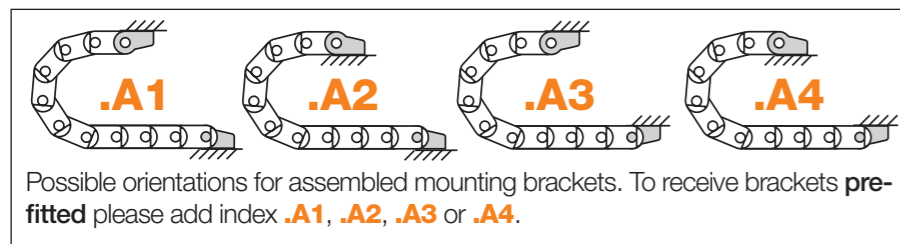
Before using series E2i.26 on long travels please consult igus®.



Polymer pivoting | Recommended for unsupported and gliding applications
Polymer locking | Recommended for vertical hanging and standing applications

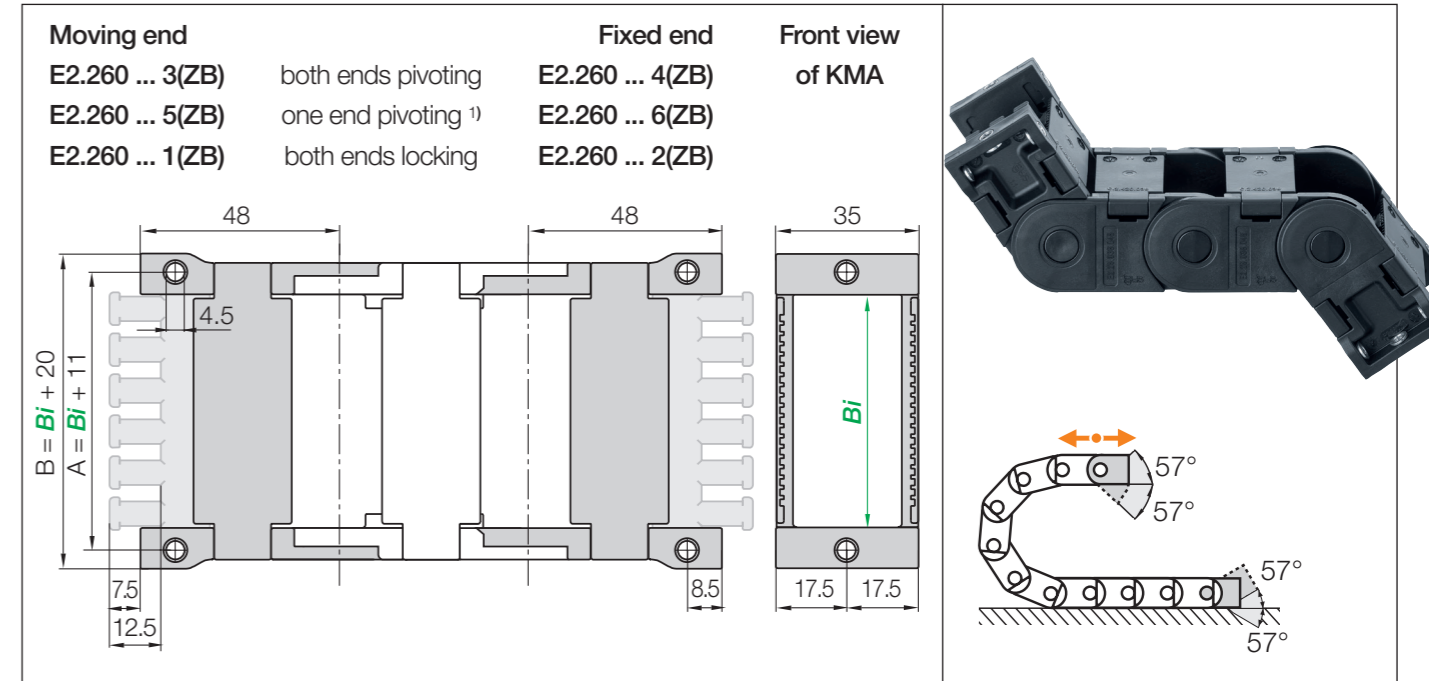
Width index	Part No. full set pivoting		Part No. full set locking		A [mm]	B [mm]	Number of teeth
	with tiewrap plates	without tiewrap plate	with tiewrap plates	without tiewrap plate			
025. ▶	2020.34PZB	2020.34PZ	2020.12PZB	2020.12PZ	41	12	3
038. ▶	2030.34PZB	2030.34PZ	2030.12PZB	2030.12PZ	54	25	4
057. ▶	2050.34PZB	2050.34PZ	2050.12PZB	2050.12PZ	73	44	6
077. ▶	2070.34PZB	2070.34PZ	2070.12PZB	2070.12PZ	93	64	8
089. ▶	2090.34PZB	2090.34PZ	2090.12PZB	2090.12PZ	105	77	9
103. ▶	2100.34PZB	2100.34PZ	2100.12PZB	2100.12PZ	119	90	10
125. ▶	2125.34PZB	2125.34PZ	2125.12PZB	2125.12PZ	141	112	12

Full set with tiewrap plate + 10 cable tiewraps, please add index **K1**. Example: 2020.34PZBK1



2030.34PZB.A1 Order example
 .A... to indicate option with brackets pre-fitted
 With integrated strain relief tiewrap plates
 Full set
 Series

Strain relief e.g. clamps, tiewrap plates, nuggets and plug-in clips are available from stock. The complete chainfix range with ordering options ▶ From page 1300

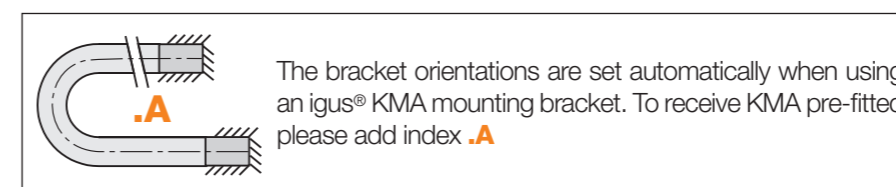


KMA pivoting | Recommended for unsupported and gliding applications
KMA locking | Recommended for vertical hanging and standing applications

Width index	Part No. full set KMA with tiewrap plates both ends pivoting	Part No. full set KMA with tiewrap plates one end pivoting 1)	Part No. full set KMA with tiewrap plates both ends locking	A [mm]	B [mm]	Bi [mm]	Number of teeth
038. ▶	E2.260.038.34ZB	E2.260.038.56ZB	E2.260.038.12ZB	49	58	38	4
057. ▶	E2.260.057.34ZB	E2.260.057.56ZB	E2.260.057.12ZB	68	77	57	6
077. ▶	E2.260.077.34ZB	E2.260.077.56ZB	E2.260.077.12ZB	88	97	77	7
089. ▶	E2.260.089.34ZB*	E2.260.089.56ZB*	E2.260.089.12ZB*	100	109	89	9
103. ▶	E2.260.103.34ZB*	E2.260.103.56ZB*	E2.260.103.12ZB*	114	123	103	10
125. ▶	E2.260.125.34ZB*	E2.260.125.56ZB*	E2.260.125.12ZB*	136	145	125	12

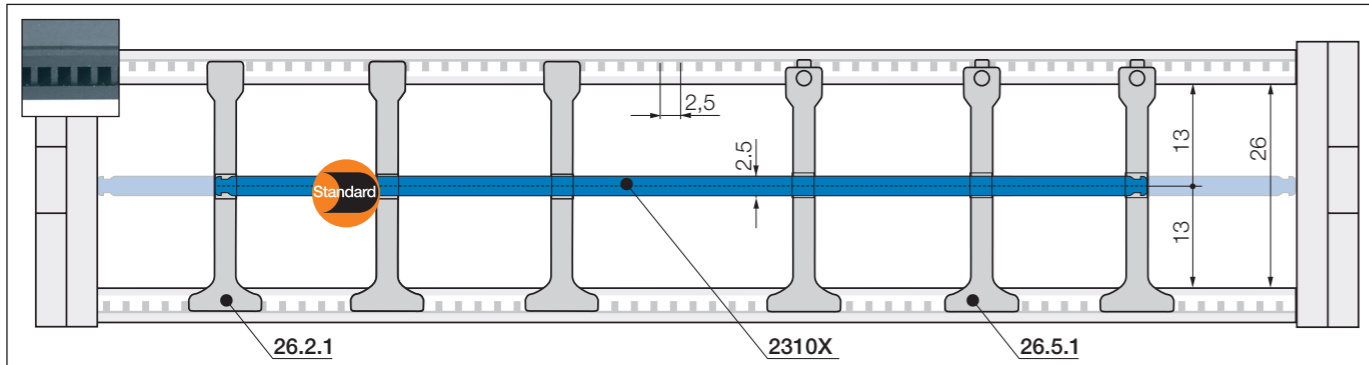
*Width available upon request. Please consult igus® for delivery time. 1) One end pivoting only to the inner radius

Optional strain relief: without tiewrap plates, please state part number **without index ZB!** (KMA = plastic-metal mounting bracket)



E2.260.038.12ZB.A Order example
 .A... to indicate option with brackets pre-fitted
 With integrated strain relief tiewrap plates
 Full set
 Width index
 Series

Strain relief e.g. clamps, tiewrap plates, nuggets and plug-in clips are available from stock. The complete chainfix range with ordering options ▶ From page 1300



No lateral gap to side links necessary.
As standard separators are fitted every 2nd e-chain® link!

Separator, narrow top

unassembled **E2.26.2**
assembled **E2.26.2.1**

For even faster installation

Wide on one side for high holding force, narrow on opposite side for easy cable fitting.

Notch separator for notched crossbar

unassembled **E2.26.5**
assembled **E2.26.5.1**

Locks securely in preset increments

Notch separator for exact positioning in e-chains®. Recommended for side-mounted applications.

Shelf, lockable

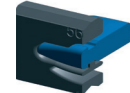
unassembled **2300.X**
assembled **2310.X**

Horizontal separation

Full-width shelf locks securely into separators at both ends, giving a fixed width. Can be used as full-width or partial shelf.

Shelves

Width = X [mm]



X [mm]	unassembled	assembled	X [mm]	unassembled	assembled	X [mm]	unassembled	assembled
015	2300.015	2310.015	060	2300.060	2310.060	087	2300.087	2310.087
025	2300.025	2310.025	062	2300.062	2310.062	090	2300.090	2310.090
030	2300.030	2310.030	065	2300.065	2310.065	100	2300.100	2310.100
038	2300.038	2310.038	070	2300.070	2310.070	103	2300.103	2310.103
040	2300.040	2310.040	075	2300.075	2310.075	110	2300.110	2310.110
050	2300.050	2310.050	077	2300.077	2310.077	120	2300.120	2310.120
057	2300.057	2310.057	080	2300.080	2310.080	125	2300.125	2310.125

Separator with integrated strain relief teeth

- Can be integrated into the mounting bracket or placed at any point in the e-chain®
- Combines strain relief and interior separation, for restricted space conditions
- Strain relief separator is easy to assemble without any screws

Part No. 26.Z. More information ► From page 1326



E2.1 e-chain® with extender crossbars - guidance for hydraulic hoses

- Safe, space-saving guidance of two hydraulic hoses
 - Special solution for heavy machinery, e.g. for elevating work platforms
 - Very hose-friendly guidance due to optimised inner contours of the e-chain®
- More information ► www.igus.co.uk/hydraulicchain



E2.1 e-chain® with extender crossbars, guidance for hydraulic hoses - can be fitted along supporting legs

More information ► www.igus.co.uk/hydraulicchain