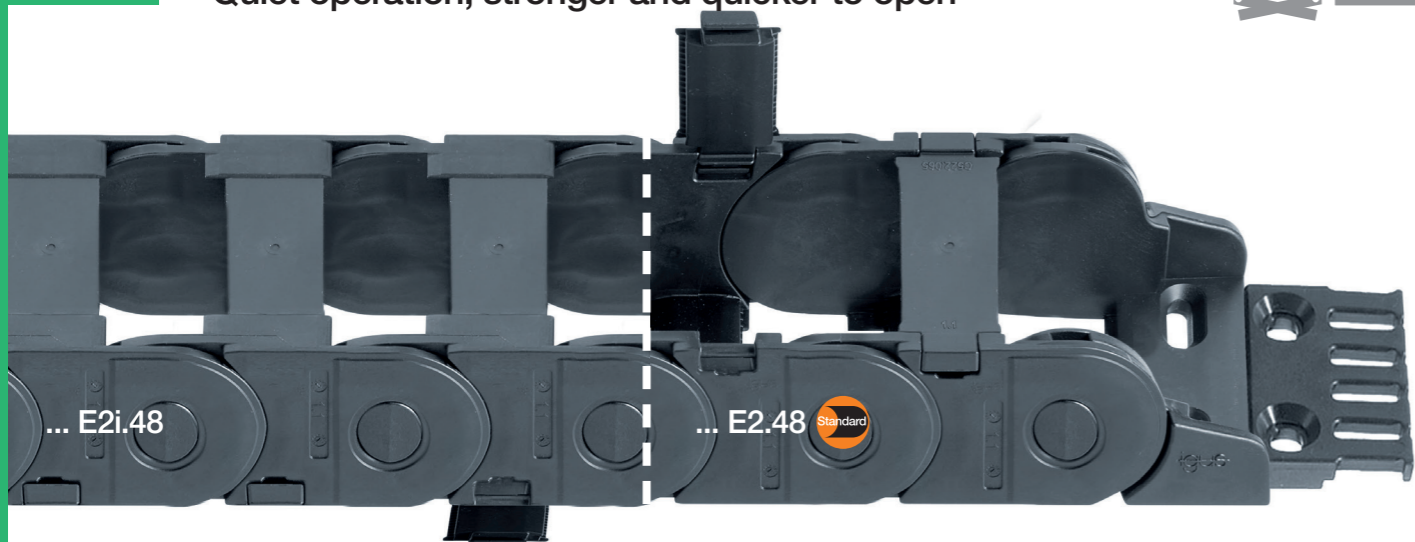


Quiet operation, stronger and quicker to open



e-chains® | Series E2i.48 | Crossbars openable along the inner radius, from both sides
 e-chains® | Series E2.48 | Crossbars openable along the outer radius, from both sides

Part No. e-chains® openable along inner radius	Part No. e-chains® openable along outer radius	Bi [mm]	Ba [mm]	R Available bend radii								E2.48 [kg/m]	E2i.48 [kg/m]
				075	100	125	150	200	250	300			
E2i.48. 050 .R.0*	E2.48. 050 .R.0*	50	72	075	100	125	150	200	250	300	≈ 1.77	≈ 1.77	
E2i.48. 075 .R.0*	E2.48. 075 .R.0	75	97	075	100	125	150	200	250	300	≈ 1.86	≈ 1.86	
E2i.48. 100 .R.0*	E2.48. 100 .R.0	100	122	075	100	125	150	200	250	300	≈ 2.00	≈ 2.00	
E2i.48. 115 .R.0*	E2.48. 115 .R.0*	115	137	075	100	125	150	200	250	300	≈ 2.06	≈ 2.06	
E2i.48. 125 .R.0*	E2.48. 125 .R.0*	125	147	075	100	125	150	200	250	300	≈ 2.12	≈ 2.12	
E2i.48. 150 .R.0*	E2.48. 150 .R.0	150	172	075	100	125	150	200	250	300	≈ 2.24	≈ 2.24	
E2i.48. 175 .R.0*	E2.48. 175 .R.0*	175	197	075	100	125	150	200	250	300	≈ 2.36	≈ 2.36	
E2i.48. 200 .R.0*	E2.48. 200 .R.0*	200	222	075	100	125	150	200	250	300	≈ 2.48	≈ 2.48	
E2i.48. 225 .R.0*	E2.48. 225 .R.0*	225	247	075	100	125	150	200	250	300	≈ 2.60	≈ 2.60	
E2i.48. 250 .R.0*	E2.48. 250 .R.0*	250	272	075	100	125	150	200	250	300	≈ 2.72	≈ 2.72	

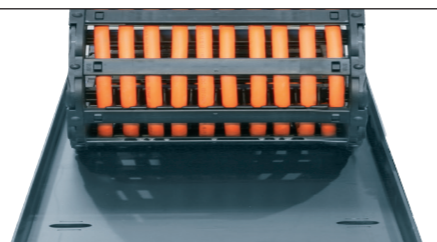
*Width available upon request. Please consult igus® for delivery time.

Complete Part No. with required radius (R). Example: E2.48.075.075.0

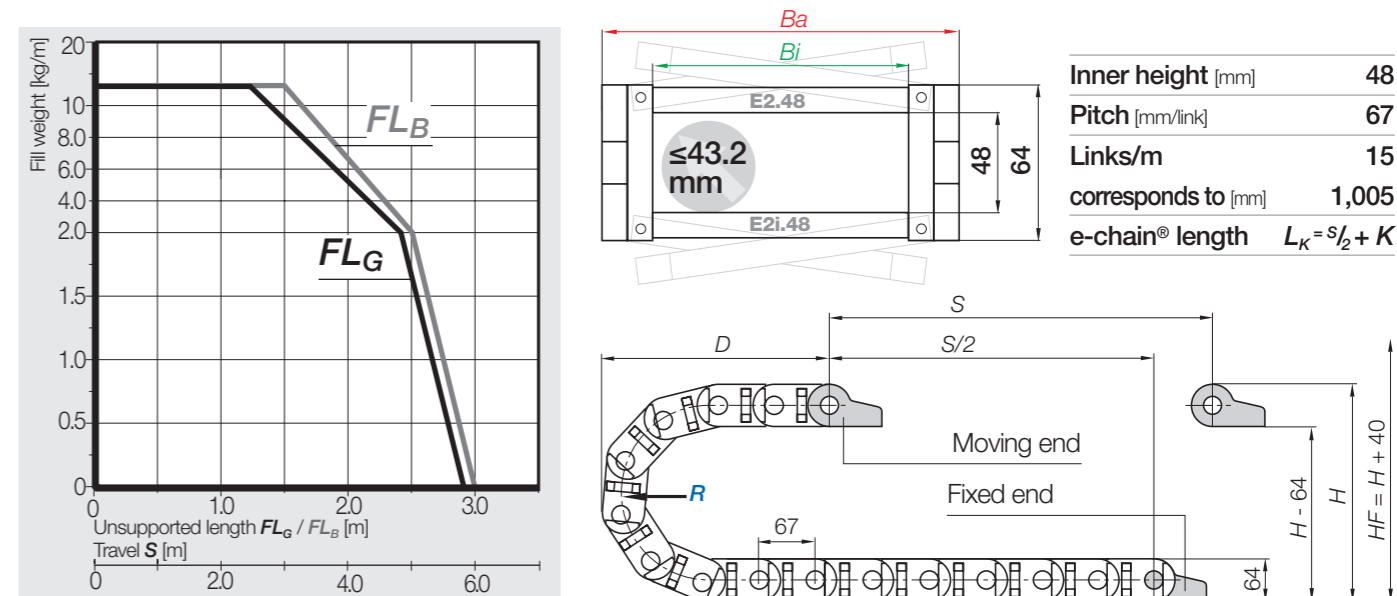
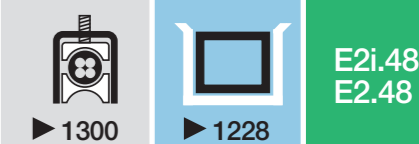
Steel support tray for support of the lower run

- Simple one-piece support trays for the lower run
- To your requirements and specification
- 4 options available

More information ► From page 1264



Unsupported applications | Short travels

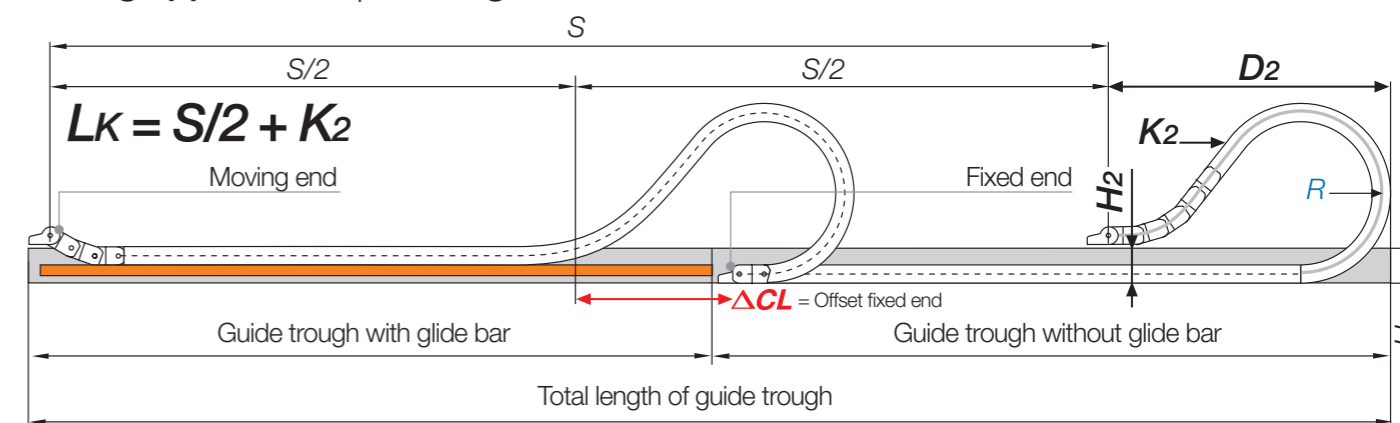


R	075	100	125	150	200	250	300
H	214	264	314	364	464	564	664
D	208	233	258	283	333	383	433
K	370	450	530	610	765	920	1,080

The required clearance height: $H_F = H + 40\text{mm}$ (with 2.5kg/m fill weight)

Before using series E2i.48 on long travels please consult igus®.

Gliding applications | For long travels from 10m to max. 150m



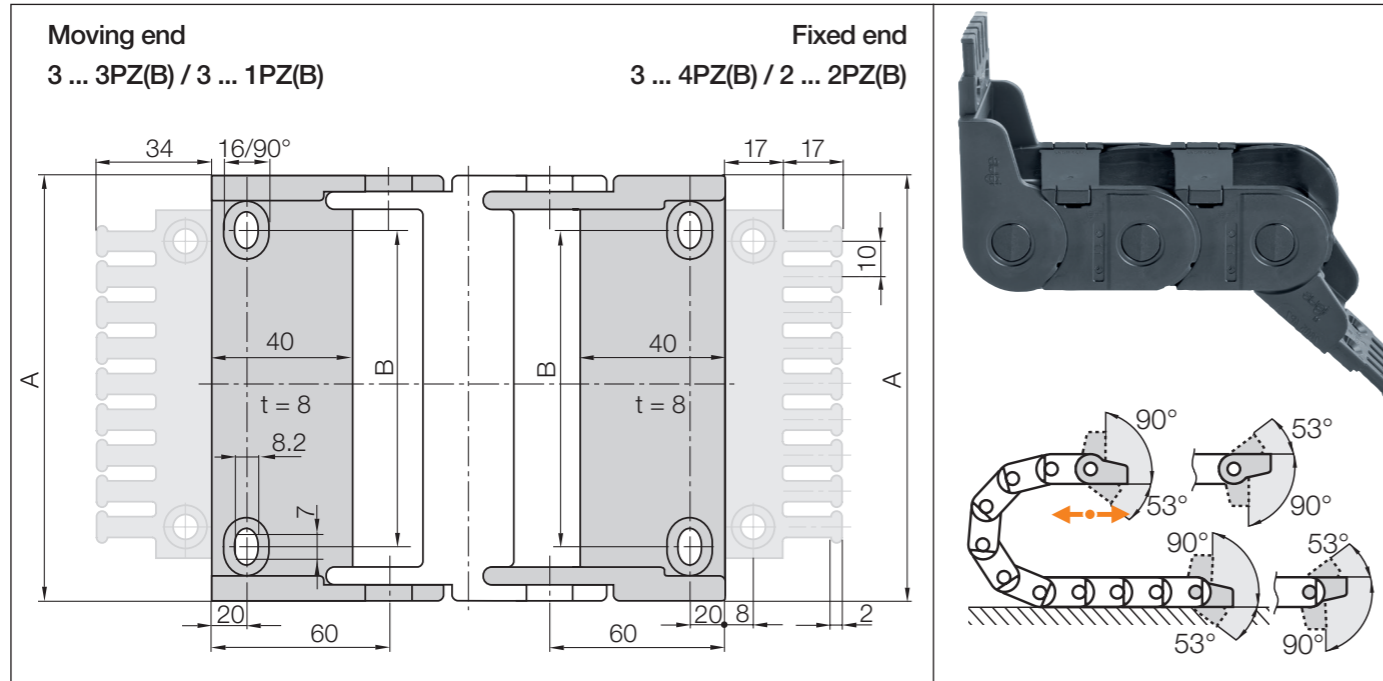
Note: Before using series E2i.48 on long travels please consult igus®.

For long travels, igus® recommends series E2.48 openable along the outer radius.

In case of travels between 6 and 10m we recommend an e-chain® with a longer unsupported length.

R	075	100	125	150	200	250	300
H ₂	214	264	186	186	186	186	186
D ₂ ⁺²⁵	208	233	475	570	780	1,010	1,150
K ₂	370	450	804	1,005	1,340	1,675	1,943
ΔCL	-	-	233	303	463	643	733

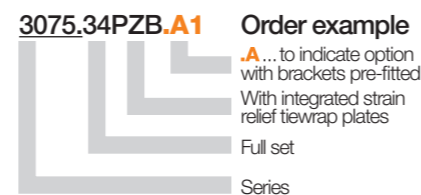
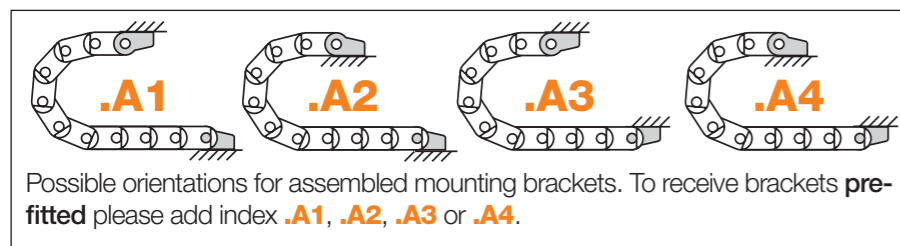
Before using series E2i.48 on long travels please consult igus®.



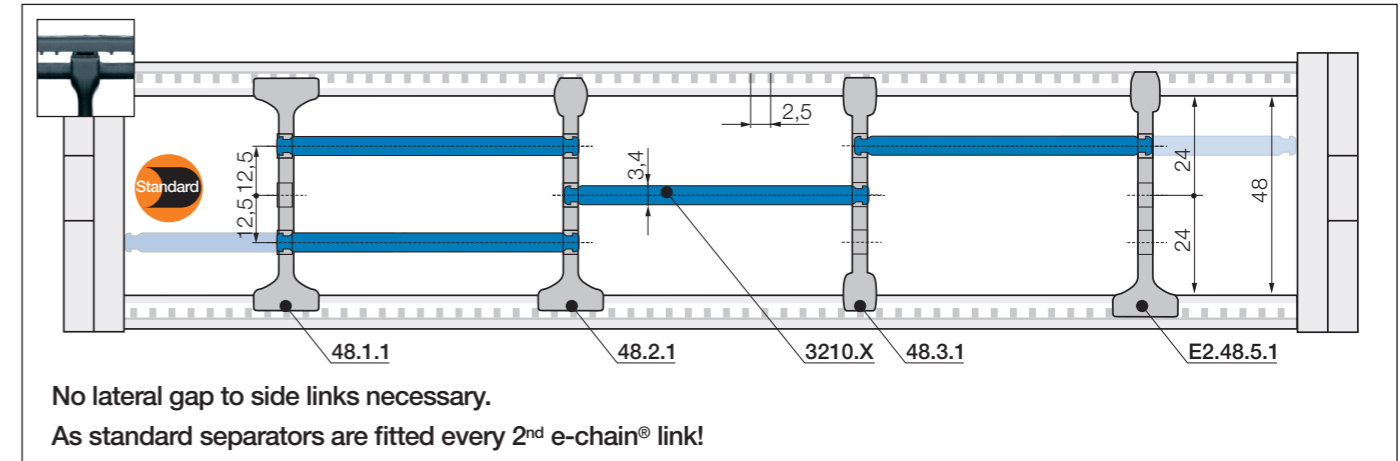
Polymer pivoting | Recommended for unsupported and gliding applications
Polymer locking | Recommended for vertical hanging and standing applications

Width index	Part No. full set pivoting		Part No. full set locking		A [mm]	B [mm]	Number of teeth
	with tiewrap plates	without tiewrap plate	with tiewrap plates	without tiewrap plate			
050. ▶	3050.34PZB	3050.34PZ	3050.12PZB	3050.12PZ	71	28	5
075. ▶	3075.34PZB	3075.34PZ	3075.12PZB	3075.12PZ	96	53	7
100. ▶	3100.34PZB	3100.34PZ	3100.12PZB	3100.12PZ	121	78	10
115. ▶	3115.34PZB	3115.34PZ	3115.12PZB	3115.12PZ	136	93	11
125. ▶	3125.34PZB	3125.34PZ	3125.12PZB	3125.12PZ	146	103	12
150. ▶	3150.34PZB	3150.34PZ	3150.12PZB	3150.12PZ	171	128	15
175. ▶	3175.34PZB	3175.34PZ	3175.12PZB	3175.12PZ	196	153	17
200. ▶	3200.34PZB	3200.34PZ	3200.12PZB	3200.12PZ	221	178	20
225. ▶	3225.34PZB	3225.34PZ	3225.12PZB	3225.12PZ	246	203	22
250. ▶	3250.34PZB	3250.34PZ	3250.12PZB	3250.12PZ	271	228	25

Full set with tiewrap plate + 10 cable tiewraps, please add index **K1**. Example: 3275.34PZBK1



Strain relief e.g. clamps, tiewrap plates, nuggets and plug-in clips are available from stock. The complete chainfix range with ordering options ▶ From page 1300



No lateral gap to side links necessary.
 As standard separators are fitted every 2nd e-chain® link!

Standard separator, wide base	Separator, narrow top	Separator, narrow	Notch separator for notched crossbar	Shelf, lockable
unassembled 48.1	unassembled 48.2	unassembled 48.3	unassembled E2.48.5	unassembled 3200.X
assembled 48.1.1	assembled 48.2.1	assembled 48.3.1	assembled E2.48.5.1	assembled 3210.X

Standard - for any application
 Separator with a wide base for maximum holding force in the e-chain®.

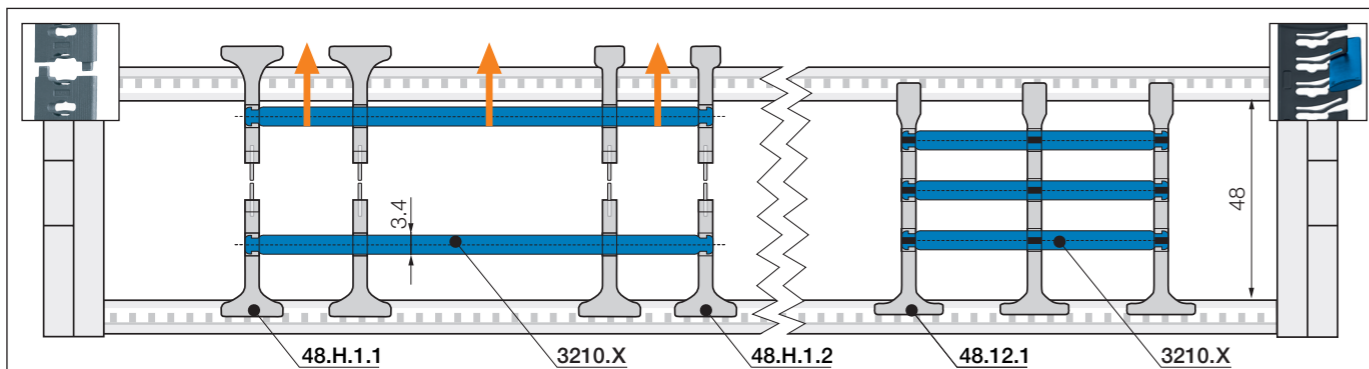
For even faster installation
 Wide on one side for high holding force, narrow on opposite side for easy cable fitting.

For small cables
 Separator with a narrow base for a large number of small cables side by side. Saves space in the e-chain®.

Locks securely in preset increments
 Notch separator for exact positioning in e-chains®. Recommended for side-mounted applications.

Horizontal separation
 Full-width shelf locks securely into separators at both ends, giving a fixed width. Can be used as full-width or partial shelf.

Shelves Width = X [mm]	X [mm]	unassembled		assembled		X [mm]	unassembled		assembled	
		part no.	part no.	part no.	part no.		part no.	part no.		
	050	3200.050	3210.050	125	3200.125	3210.125	225	3200.225	3210.225	
	075	3200.075	3210.075	150	3200.150	3210.150	250	3200.250	3210.250	
	100	3200.100	3210.100	175	3200.175	3210.175				
	115	3200.115	3210.115	200	3200.200	3210.200				



No lateral gap to side links necessary.
As standard separators are fitted every 2nd e-chain® link!

			Split separator, wide base/top
			unassembled 48.H.1 assembled 48.H.1.1

Split separators
In order to fill e-chains® more easily and effectively, these separators can be split in the middle. This allows easier access to middle shelf partitions. Fast assembly and easy retrofit. 2 types available: with wide or narrow top.

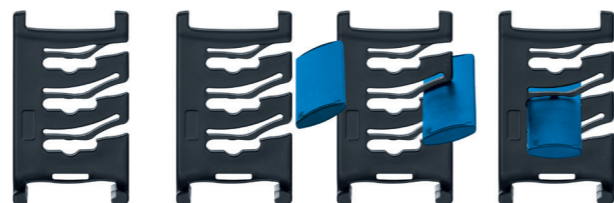
			Split separator, narrow top
			unassembled 48.H.2 assembled 48.H.2.1

			Lean separator
			unassembled 48.12 assembled 48.12.1

Lean separators
New design allows extremely fast fitting of shelves in several layers, which significantly reduces assembly time. Enables extremely fast replacement of individual cables in a very full e-chain®.

Lean separator design - several layers of cables fitted quickly, save up to 50%* assembly time

(*Lean separator vs. standard separator - measured on a 4m long e-chain® fitted with 12 cables in the igus® readychain® factory)



Crossbar with integrated grid and openable at both ends - from the top or the side with a screwdriver