

TECHNICAL DATA SHEET

PMAJACK - MREIR - Metal Fitting

Female thread terminations for braided hose

PMA**CE****Applications:**

- In combination with PMAJACK braided hoses

Features & Benefits:

- Very high impact resistance
- Suitable for round multi-pin connectors
- Offers excellent termination for braids
- Can be manufactured also in small quantities
- Different thread types and sizes are available on request

Materials:

- Fitting body: black anodised aluminium
- Clamping ring: made from specially modified polyamide 6

Compatible with:

- PMAJACK braids

Colour:

- Black

Chemical properties:

- Please refer to www.pma.ch
(Technical Information / Chemical Resistance)

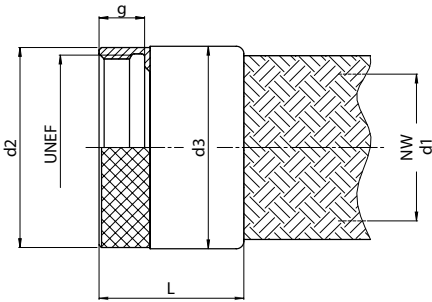
Environmental properties:

- Free from halogens and cadmium
- RoHS and REACH compliant

Product selection:

Part no.	Thread size	Fits to PMAJACK braid (NW):			Dimensions in mm (nom.)					Weight	Packing unit
		F.66	C.66	L.66	g	L	d1	d2	d3		
black	UN	F.66	C.66	L.66	g	L	d1	d2	d3	kg/100 pcs	pcs/PU
MREIR-U3529	1 7/16" - 18	25 - 40	30 & 40	25 - 40	9.0	37.5	30.0	40.0	40.5	2.8	20

Our customer service dept. or local distribution partner will be pleased to help you concerning product availability and lead time



Mechanical Properties:	Value:	Test parameters:	Test method:
Tensile modulus	1'200 ... 3'700 N/mm ²		ISO 527
Tensile strength	45 ... 65 N/mm ²		ISO 527
Notched bar impact test	4 ... 20 kJ/m ²		ISO 180/1C

Thermal properties:	Value:	Test parameters:	Test method:
Continuous application temperature	- 40 ... + 105 °C		PMA DO 9.21-4510
Upper application temperature	+ 120°C	(20'000 h)	PMA DO 9.21-4360
Short-term	+ 160 °C	(168 h)	PMA DO 9.21-4360

Content of delivery:

- Female thread adapter with clamping ring

ABB Switzerland Ltd,
PMA Cable Protection
Aathalstrasse 90
8610 Uster, Switzerland
Phone: +41 58 585 00 11
pma-info@ch.abb.com
www.pma.ch

Let's write the future.
Together. **abb.com**

We reserve the right to make technical changes or modify the contents of this document without prior notice. With regard to purchase orders, the agreed particulars shall prevail. ABB Installation Products Inc. does not accept any responsibility whatsoever for potential errors or possible lack of information in this document.

We reserve all rights in this document and in the subject matter and illustrations contained therein. Any reproduction, disclosure to third parties or utilization of its contents – in whole or in parts – is forbidden without prior written consent of ABB Inc. Copyright© 2019 ABB Installation Products Inc. All rights reserved

