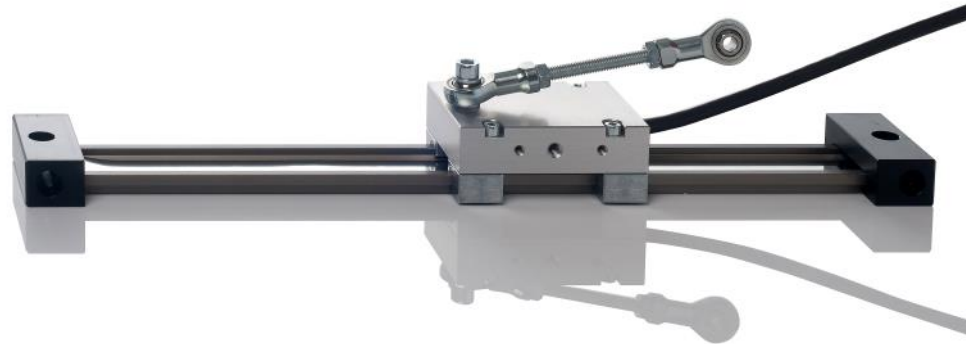


Series *GS/2*



Guided magnetic Incremental Length Measuring System
suitable for Press Brakes

GS12 Guided Magnetic Incremental – Length measuring system

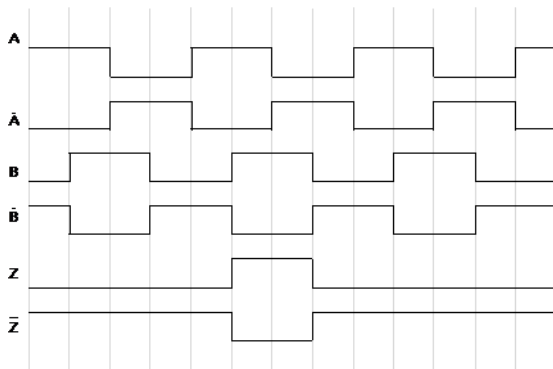
General: GS12 is a guided magnetic incremental length measuring system with free adjustable index pulse. The index impulse may adjust arbitrary with a distance of 5.0 mm. The system consists of sensor head, an integrated evaluation electronic, guide carriage and guide rail with magnetic tape. This guiding rail is available in all lengths up to one meter. The series GS12 operates with a resolution of up to 0.001 mm at 4-edge triggering. The repeating accuracy is +/- 1 incremental. The GS-I measuring system has been constructed for dynamic applications with an operating speed up to 4 m/s and has been developed for sheet metal working. The evaluation electronic evaluates the signals detected by sensor and supplies speed proportional, 90° phase shifted square waves in 5V/TTL– Line driver or 10-30 V/HTL push-pull. The sensor head is moved contactless over the magnetic tap. This will be assured through mechanical guiding system. Thus, the system is totally maintenance free and free of wear. Due to a direct measuring, tolerances like slip or pitch are balanced.

Product Features:

- Free adjustable index impulse
- *Max. resolution of 0.001 mm (at 4-edge triggering)
- Power supply / signal level 5 V or 10-30 V
- Differential signals/ reference pulse
- Measuring length up to 1 meter
- High-quality guiding system
- Speed proportional square wave outputs
- Robust, dirt- and shock resistant
- Cost-effective alternative to glass scales

* depending on order

Pulse diagram:



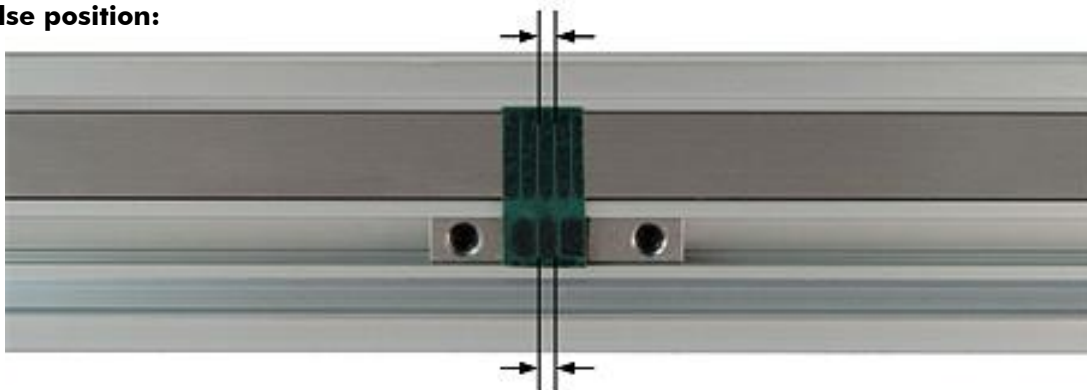
The channels A and B are 90° phase shift

The index pulse output will effect according to the adjustable index pulse platelet

Pin assignment:

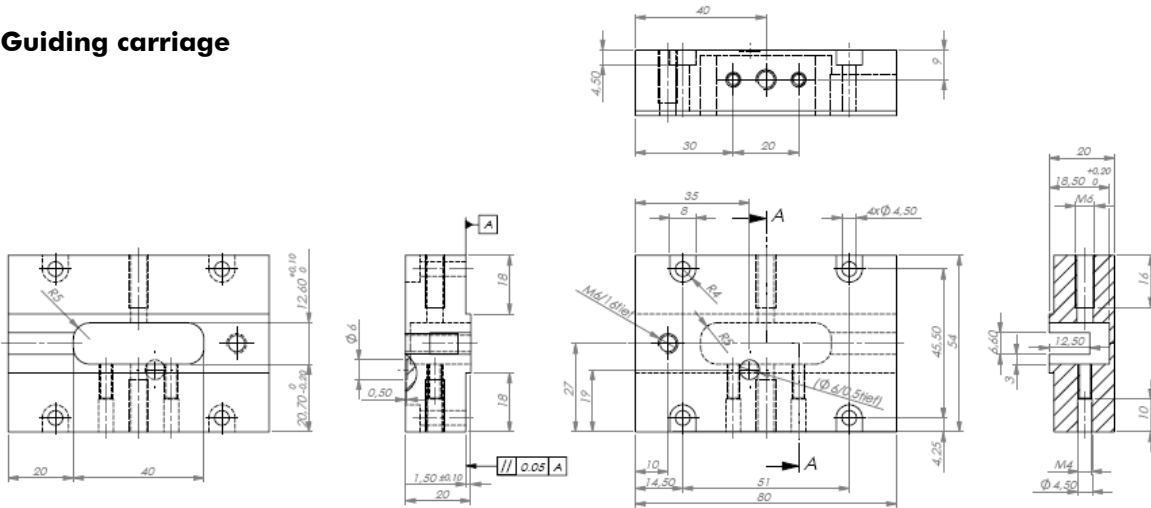
Function	Colour
0V / GND	white
10-30 VDC / 5 VDC	brown
Channel A	green
Channel A inverted	violette
Channel B	yellow
Channel B inverted	orange
Channel Z	black
Channel Z inverted	grey

Index pulse position:



Mechanical drawing:

Guiding carriage



Guiding rail

