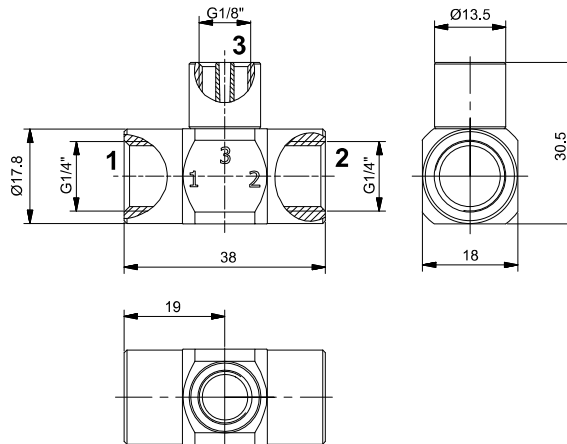




► **Single stage vacuum generator G1/4"**

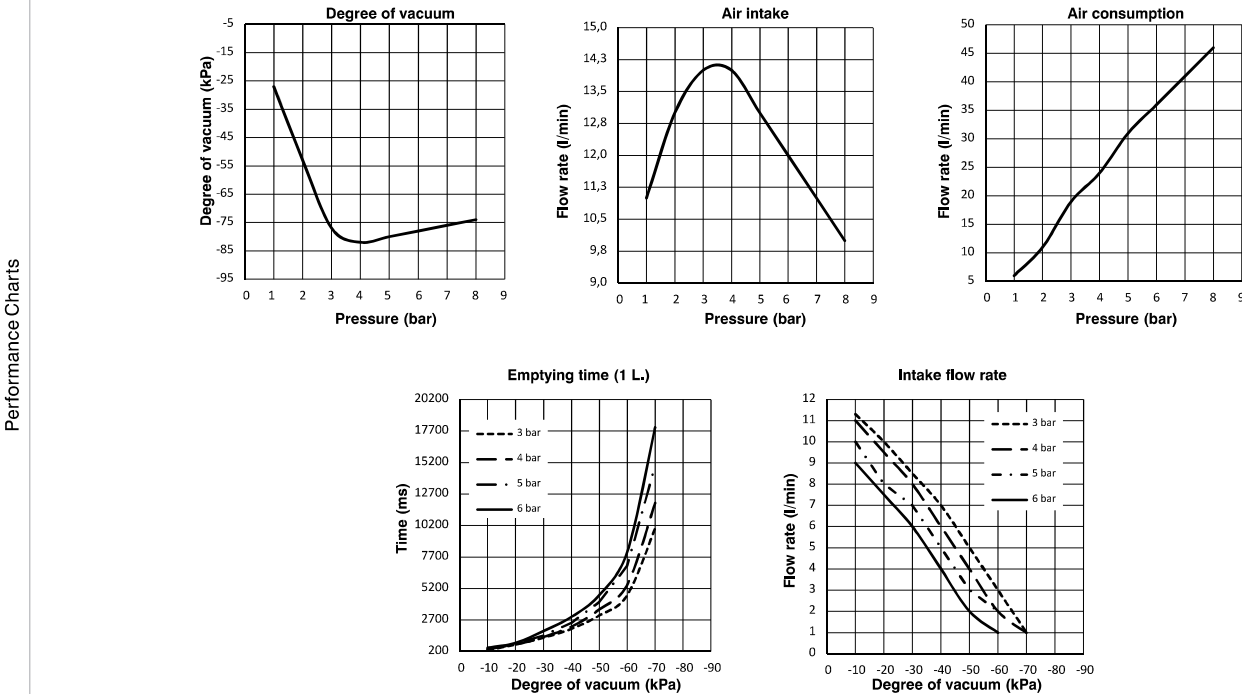


Ordering code
19M14.S.08.SS.L0

Single stage generators, with operation based on the Venturi principle; their main feature is the presence of feed pressure and connection for the vacuum on the same axis. This makes it possible to connect the suction cups directly to the generator or through the suction cup holder, so therefore still on the same axis with obvious advantages in terms of system layout and simplicity. The outlet connection has a female thread G 1/8".

Operational characteristics

- Inlet pressure (bar)	2	4	6
- Degree of Vacuum (-kPa)	53	82	78
- Intake flow rate (l/min)	13	14	12
- Air consumption (l/min)	11	24	36



Technical characteristics

Fluid	Unlubricated filtered air
Pressure (bar)	1 ... 8
Temperature (°C)	-10 ... +80
Weight (gr.)	26

Accessories

19S18.S	Silencer G1/8"
----------------	----------------