

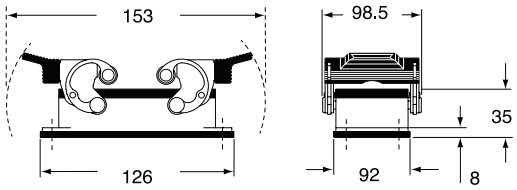
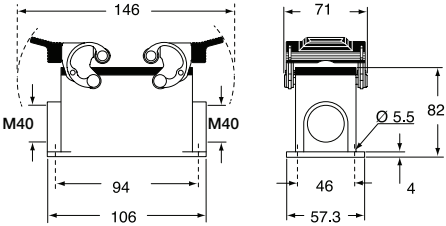

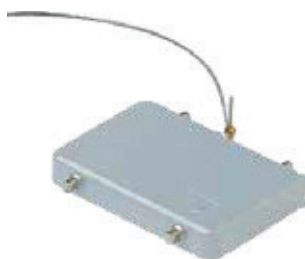

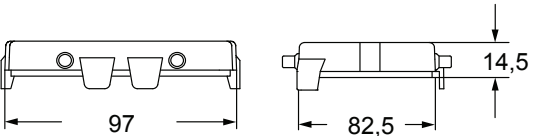
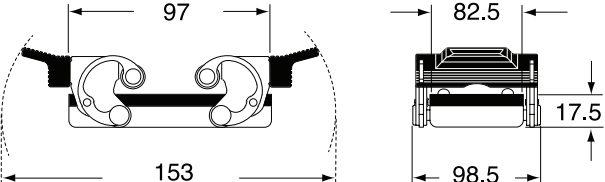


CH-MH-MA Enclosures

Size 77.62
Double Lever




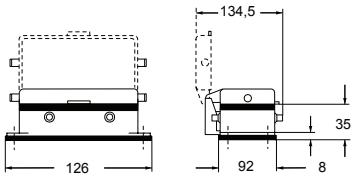
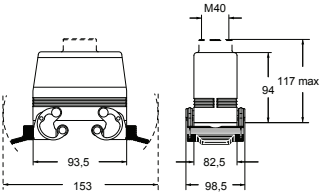
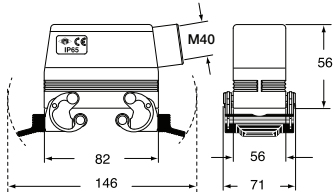
CHI 32	MHP 32.240
	
	

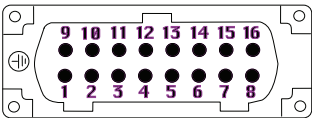
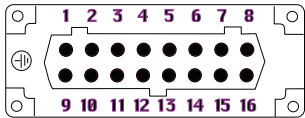
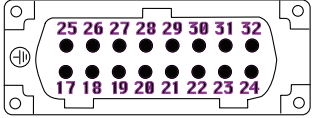
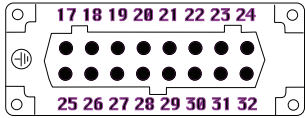
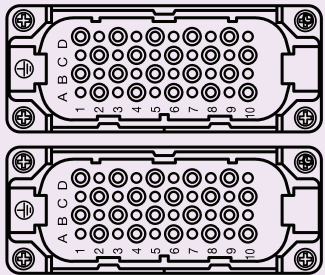
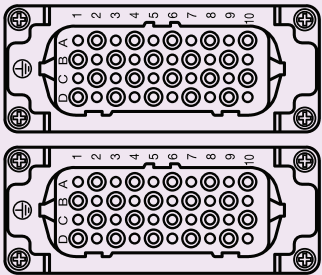
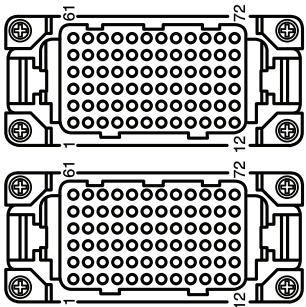
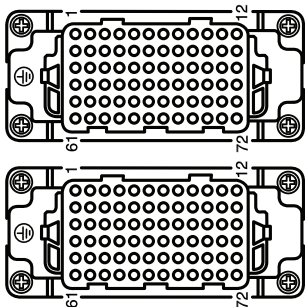
MHV 32.40	MHO 32.40	MHV 32 G40
		
		

CHC 32	CHC 32G
	
	

CH-MH-MA Enclosures

Size 77.62
Double Lever



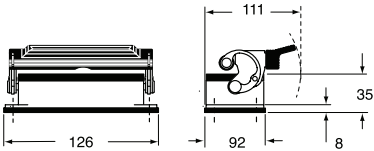
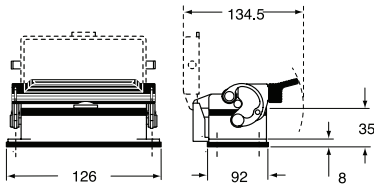
CHI 32 CS	MHV 32 X40	MHO 32 X40
		
		



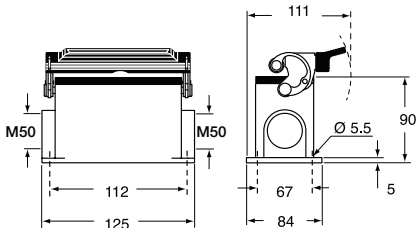
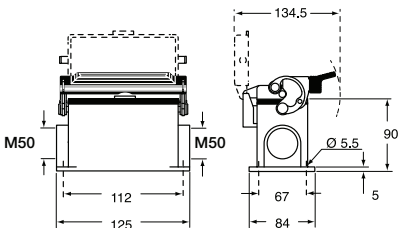
Male Inserts		Female Inserts	
<p>CNEM 16 T 16 Pin (1-16) 16 amp 400 volt</p>		<p>CNEF 16 T 16 Pin (1-6) 16 amp 400 volt</p>	
<p>CNEM 16 TN 16 Pin (17-32) 16 amp 400 volt</p>		<p>CNEF 16 TN 16 Pin (17-32) 16 amp 400 volt</p>	
<p>CDM 40 x 2 (inserts) 80 pin 10 amp 250 volt (crimp)</p>		<p>CDF 40 x 2 (inserts) 80 pin 10 amp 250 volt (crimp)</p>	
<p>CDDM 72 x 2 (inserts) 144 pin 10 amp 250 volt (crimp)</p>		<p>CDDF 72 x 2 (inserts) 144 pin 10 amp 250 volt (crimp)</p>	

All dimensions in mm. For crimp pins refer to page 354.




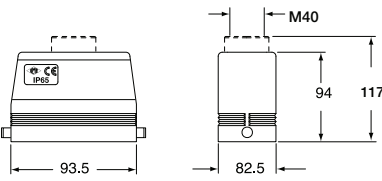
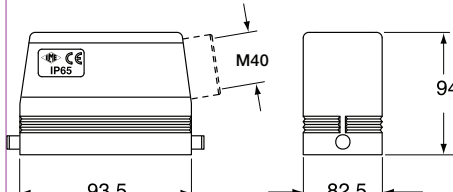
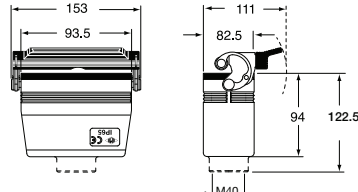
CH-MH-MA Enclosures

Size 77.62
Single Lever

CHI 32 L	CHI 32 LS
	
 <p>Dimensions: 126, 111, 92, 8, 35</p>	 <p>Dimensions: 126, 134.5, 92, 8, 35</p>

MHP 32 L250	MHP 32 LS250
	
 <p>Dimensions: 112, 125, 111, 67, 84, 5, 90, Ø 5.5, M50</p>	 <p>Dimensions: 112, 125, 134.5, 67, 84, 5, 90, Ø 5.5, M50</p>

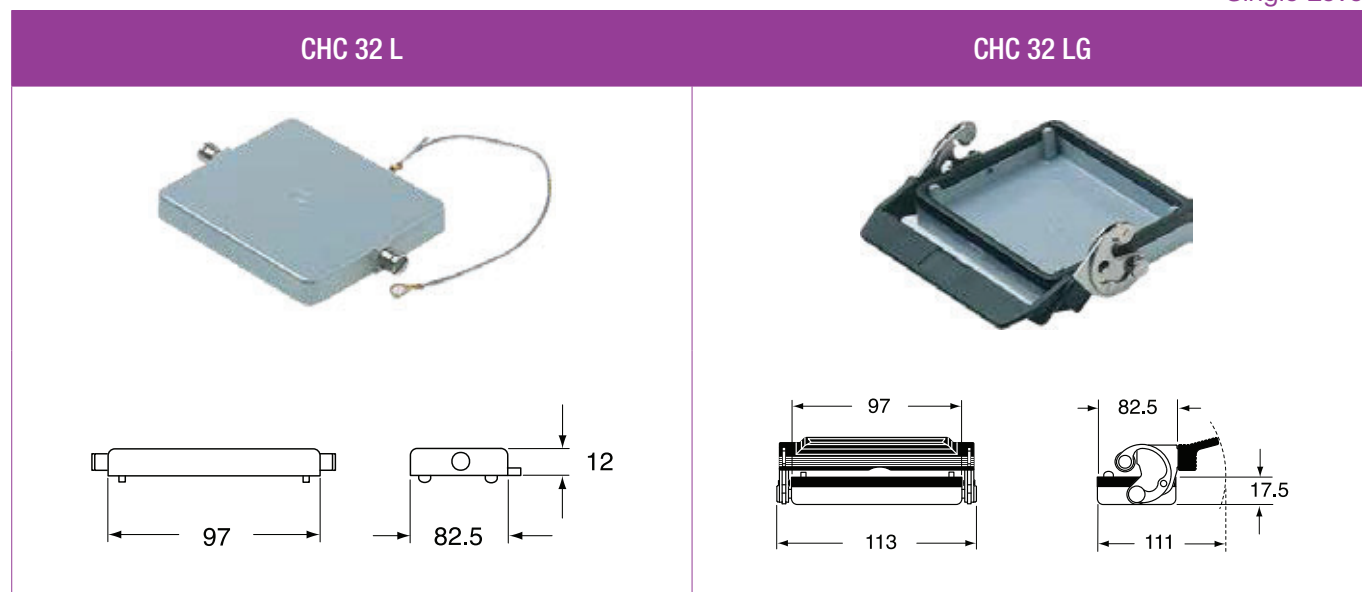
5

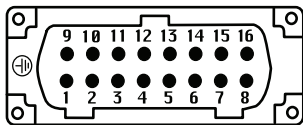
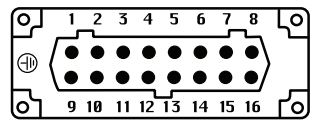
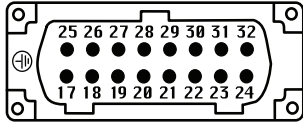
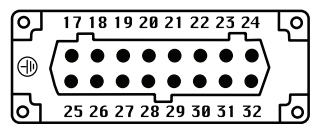
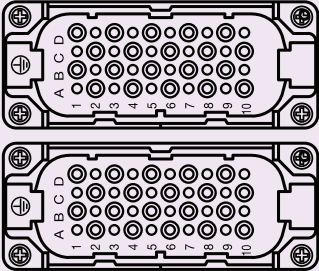
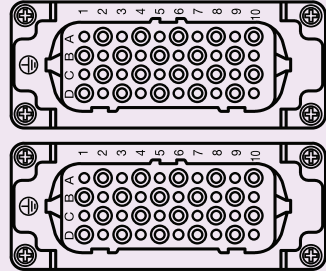
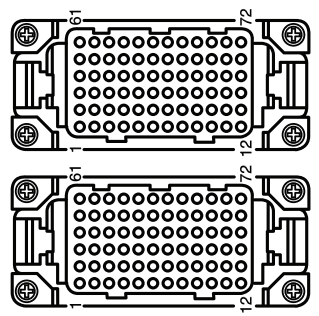
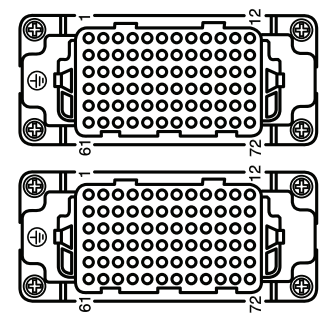
MHV 32 L40	MHO 32 L40	MHV 32 LG40
		
 <p>Dimensions: 93.5, 82.5, 94, 117, M40</p>	 <p>Dimensions: 93.5, 82.5, 94, M40</p>	 <p>Dimensions: 153, 93.5, 111, 82.5, 94, 122.5, M40</p>

CH-MH-MA Enclosures

Size 77.62

Single Lever



Male Inserts		Female Inserts	
<p>CNEM 16 T 16 Pin (1-16) 16 amp 400 volt</p>		<p>CNEF 16 T 16 Pin (1-6) 16 amp 400 volt</p>	
<p>CNEM 16 TN 16 Pin (17-32) 16 amp 400 volt</p>		<p>CNEF 16 TN 16 Pin (17-32) 16 amp 400 volt</p>	
<p>CDM 40 x 2 (inserts) 80 pin 10 amp 250 volt (crimp)</p>		<p>CDF 40 x 2 (inserts) 80 pin 10 amp 250 volt (crimp)</p>	
<p>CDDM 72 x 2 (inserts) 144 pin 10 amp 250 volt (crimp)</p>		<p>CDDF 72 x 2 (inserts) 144 pin 10 amp 250 volt (crimp)</p>	

All dimensions in mm. For crimp pins refer to page 354.